

Breakers and Switches

Switches for photovoltaic applications

Switch-disconnectors

OTDC and OTDCP

Switch-disconnectors

OTDC16...800 and OTDCP16...32

Contents

4	Product overview
8	Technical data
11	Type designation key
12	OTDC16...32 ordering information
12	OTDC16...32, base mounted, IEC
13	OTDC16...32, base mounted, UL
14	OTDC16...32, door mounted, IEC
15	OTDC16...32, door mounted, UL
16	OTDCP enclosed switches, IEC
18	OTDC100...800 ordering information
18	Single circuit, 1000 VDC, IEC
19	Single circuit, 1000 VDC, UL
22	Double circuit and load side combining, 1000 VDC, IEC
23	Double circuit and load side combining, 1000 VDC, UL
26	Triple circuit, 1500 VDC, IEC
28	Single and double circuit, 1500 VDC, IEC
29	Single circuit, 1500 VDC, UL
32	Side operated, Single circuit, 1000 VDC, UL
34	OTDC16...32 accessories
38	OTDC100...800 accessories
45	Dimension drawings
51	Index

DC switch-disconnectors, front operated 16...800 A, IEC



IEC 60947

	OTDC16F2	OTDC16F3	OTDC16F4	OTDC100E02	OTDC100E11
	OTDC25F2	OTDC25F3	OTDC25F4	OTDC160E02	OTDC160E11
	OTDC32F2	OTDC32F3	OTDC32F4	OTDC200E02	OTDC200E11
				OTDC250E02	OTDC250E11
U_e [V DC]	660	1000	1000 / 2x660	1000	1000
I_b, DC-21B [A]	16 25 32	16 25 32	16 25 32	100 160 200 250	100 160 200 250



IEC 60947

	OTDC315E02	OTDC315E11	OTDC315EV12	OTDC315E22	OTDC315E33	OTDC630EPP22
	OTDC400E02	OTDC400E11	OTDC400EV12	OTDC400E22	OTDC400E33	OTDC800EPP22
	OTDC500E02	OTDC500E11	OTDC500EV12	OTDC500E22	OTDC500E33	
U_e [V DC]	1000	1000	1500	1000	1000/1500	1000
I_b, DC-21B [A]	315 400 500	315 400 500	315 400 500	315 400 500	315 400 500	630 800

DC switch-disconnectors, enclosed 16...32 A, IEC



IEC 60947

	OTDCP16SA11M	OTDCP16S11M	OTDCP16SA21M	OTDCP16S21M	OTDCP16SA22_	OTDCP16S22_
	OTDCP25SA11M	OTDCP25S11M	OTDCP25SA21M	OTDCP25S21M	OTDCP25SA22_	OTDCP25S22_
	OTDCP32SA11M	OTDCP32S11M	OTDCP32SA21M	OTDCP32S21M	OTDCP32SA22_	OTDCP32S22_
U_e [V DC]	660	660	1000	1000	1000 / 2x660	1000 / 2x660
I_b, DC-21B [A]	16 25 32	16 25 32	16 25 32	16 25 32	16 25 32	16 25 32

DC disconnect switches, front operated 16...600 A, UL^{*})



UL508i

File E4466875

Base or DIN-rail mounting

	OTDC16U2	OTDC16U4	OTDC16U6	OTDC16US2	OTDC16US4	OTDC16US6
	OTDC25U2	OTDC25U4		OTDC25US2	OTDC25US4	
		OTDC32U4			OTDC32US4	
Rated Voltage [V DC]	600	600	600	600	600	600
Rated current [A]	16 25	16 25 32	16	16 25	16 25 32	16



UL508i

File E4466875

Door mounting

	OTDC16UT2	OTDC16UT4	OTDC16UT6	OTDC16UST2	OTDC16UST4	OTDC16UST6
	OTDC25UT2	OTDC25UT4		OTDC25UST2	OTDC25UST4	
		OTDC32UT4			OTDC32UST4	
Rated Voltage [V DC]	600	600	600	600	600	600
Rated current [A]	16 25	16 25 32	16	16 25	16 25 32	16



UL98B

File #E354681

	OTDC100U2	OTDC100U11	OTDC100U22	OTDC100US2	OTDC100US11	OTDC100US22
	OTDC200U2	OTDC200U11	OTDC180U22	OTDC200US2	OTDC200US11	OTDC180US22
Rated Voltage [V DC]	1000	1000	1000	1000	1000	1000
Rated current [A]	100 200	100 200	100 180	100 200	100 200	100 180



UL98B

File #E354681

	OTDC250U2	OTDC250U11	OTDC250U12	OTDC250U22	OTDC600UPP22
	OTDC320U2	OTDC320U11	OTDC320U12	OTDC320U22	
	OTDC400U2	OTDC400U11	OTDC400U12	OTDC400U22	
Rated Voltage [V DC]	1000	1000	1500^{*)}	1000	1000
Rated current [A]	250 320 400	250 320 400	250 320 400	250 320 400	600

^{*)} All UL listed products (except side operated) are also IEC rated up to 800 A

^{*)} UL98B self-certified at 1500 VDC while standard only goes up to 1000 VDC

DC disconnect switches, front operated 16...600 A, UL^{*})



UL98B
File #E354681

	OTDC250US02	OTDC250US11	OTDC250US22	OTDC600USPP22
	OTDC320US02	OTDC320US11	OTDC320US22	
	OTDC400US02	OTDC400US11	OTDC400US22	
Rated Voltage [V DC]	1000	1000	1000	1000
Rated current [A]	250 320 400	250 320 400	250 320 400	600

^{*} All UL listed products (except side operated) are also IEC rated up to 800 A

DC disconnect switches, side operated 100...400 A, UL



UL-types
UL98B
File #E354681

	OTDC100U20S	OTDC250U20S	OTDC100US20S	OTDC250US20S
	OTDC200U20S	OTDC320U20S	OTDC200US20S	OTDC320US20S
		OTDC400U20S		OTDC400US20S
Rated voltage [V DC]	1000	1000	1000	1000
Rated current [A]	100 200	250 320 400	100 200	250 320 400

Switches for photovoltaic applications Up to 1500 VDC



OTDC16...32 - Simply efficient

OTDC from 16...32 Amperes have various DC voltage ratings within the same footprint area. Thanks to its modular design the rated operational voltage can be scaled according to your needs, up to 1000 V.

- ▶ Reliable PV systems at a wide voltage range

OTDC switch-disconnectors can be DIN rail or screw mounted. Tunnel terminals capture fine stranded wires and they are wide enough to allow wires up to 16 mm². Short-circuit bars are pre-installed as standard.

- ▶ Simple and fast installation

OTDC16...32 is also available in a plastic enclosure, suitable for outdoor use. Enclosed OTDCP is made of material resistant to UV light and water exposure. The enclosure has a high degree of protection, IP65. Cover interlock and padlockable handle ensure safe usage.

OTDC16...32 switches, with or without enclosure, meet the standard's thermal requirements, even in exceptionally high operating ambient temperatures. The power losses are very low, maximizing the efficiency.

- ▶ Suitable for warm locations
- ▶ Maximum energy efficiency of PV systems

OTDC100...800 - Switches for single and multi circuit disconnecting

OTDC has been designed for DC applications and tested beyond requirements.

- ▶ Reliable DC breaking power at all current levels

As a result of symmetric pole design, the connections are independent of polarity. The user can make the connections in both ways.

- ▶ Simplicity in installation

OTDC is the only DC switch in the market that has visible contacts. The operation of the switch is not vulnerable to voltage peaks and it is independent of the user (quick make-quick brake).

- ▶ Safe and reliable operation

Thanks to a modular design and the use of ABB's connection kits, OTDC adapts to different installation requirements: single or multicircuit, 1500 VDC, side operation or combined outputs up to 1500 A.

- ▶ Superior flexibility

Technical data

OTDC16...800 and OTDCP16...32

Technical data according to IEC 60947 for switch-disconnectors OTDC16...250

Switch size			OTDC16F	OTDC25F	OTDC32F	OTDC16U	OTDC25U	OTDC32U	OTDC100E	OTDC160E	OTDC200E	OTDC250E	
Rated insulation voltage U _i	Pollution degree 2	V	1250 ¹⁾	1250 ¹⁾	1250 ¹⁾	1250 ¹⁾	1250 ¹⁾	1250 ¹⁾					
	Pollution degree 3	V	1000 ¹⁾	1000 ¹⁾	1000 ¹⁾	1000 ¹⁾	1000 ¹⁾	1000 ¹⁾	1000	1000	1000	1000	
Dielectric strength	50 Hz 1 min	kV	6	6	6	6	6	6					
Rated impulse withstand voltage		kV	8	8	8	8	8	8	12	12	12	12	
Rated thermal current I _{th}	In open air, normal conditions ²⁾	A	25	32	45	40	50	63	100	160	200	250	
	In enclosure 40°C	A	25	32	45	32	40	50	100	160	200	250	
	In enclosure 60°C	A	25	32	32	25	32	40	100	160	200	200	
...with minimum cable or bar cross section	Cu	mm ²	4	6	10	4	6	10	35	70	95	120	
Rated operational current / poles in series DC-21B	500	One circuit	V						100 / 1	160 / 1	200 / 1	250 / 1	
	660	One circuit	V	16/2	25/2	32/2	16/2	25/2					
		Two circuits	V	25/2	25/2	32/2	16/2	25/2	32/2				
	1000	One circuit	V	10/2	16/2	20/2	10/2 ⁴⁾	16/2 ⁴⁾		100 / 2	160 / 2	200 / 2	250 / 2
			V	16/3	25/3	32/3							
		Two circuits	V	10/2	16/2	20/2	10/2 ⁴⁾	16/2 ⁴⁾	20/2 ⁴⁾	100 / 2	160 / 2	200 / 2	250 / 2
Three circuits	V				10/2 ⁴⁾								
Rated short-time withstand current, 1000 V, 1 s	R.M.S. -value I _{sw}	kA	0,4	0,6	0,8	1,0	1,0	1,0	5	5	5	5	
Rated short circuit making capacity, 1000 V	Peak value I _{cm}	kA							5	5	5	5	
	Max. distance from switch frame to nearest busbar / cable support	mm							150	150	150	150	
Rated conditional short-circuit current I _c (r.m.s.)	I _c (r.m.s.), 1000 V	kA				10	10	10					
	Max fuse size, gPV	A				80	80	80					
Power loss / pole	At rated current	W	0,15	0,3	0,5	0,1	0,2	0,35	2	4	6	9,5	
Terminal cable size	Cu	mm ²	2.5...16	2.5...16	2.5...16	2.5...16	2.5...16	2.5...16					
Terminal bolt size	Metric thread diameter × length	mm							M8x25	M8x25	M8x25	M8x25	
Terminal tightening torque	Counter torque required	Nm							15-22	15-22	15-22	15-22	

¹⁾ When used with external handle. For use with direct mounted handle, see installation instruction.

²⁾ Normal conditions defined in IEC 60947-1-6.1

³⁾ 1000 V with all the poles connected in series, 600 V with 2 poles in series

⁴⁾ U and UT types only. (Not applicable for US nor UST.)

Technical data according to IEC 60947 for switch-disconnectors OTDC315...800

Switch size			OTDC315E	OTDC400E	OTDC500E	OTDC630E	OTDC800E	
Rated insulation voltage U _i	Pollution degree 2	V	1500	1500	1500	1500	1500	
	Pollution degree 3	V	1500	1500	1500	1500	1500	
Rated impulse withstand voltage		kV	12	12	12	12	12	
Rated thermal current I _{th}	In open air, normal conditions ⁵⁾	A	315	400	630	630	800	
	In enclosure 40°C	A	315	400	550	630	800	
	In enclosure 60°C	A	315	400	440	630	680	
...with minimum cable or bar cross section	Cu	mm ²	185	240	240	2x185	2x240	
Rated operational current / poles in series	1000	One circuit	V	315/2	400/2	500/2	630/2	800/2
		Two circuits	V	315/2	400/2	500/2		
		Three circuits	V	315/2	400/2	500/2		
	1500	One circuit	V	315/3	400/3	500/3		
			V	315/4	400/4	500/4		
		Two circuits	V	315/3	400/3	500/3		
Rated short-time withstand current, 1000 V, 1 s	R.M.S. -value I _{sw}	kA	10	10	10	10	10	
Rated short circuit making capacity, 1000 V	Peak value I _{cm}	kA	10	10	10	10	10	
Power loss / pole	At rated current	W	6	9,7	15,1	29,1	40	
Terminal bolt size	Metric thread diameter × length	mm	M 10x30	M 10x30	M 12x40	M 12x40	M 12x40	
Terminal tightening torque	Counter torque required	Nm	30-44	30-44	50-75	50-75	50-75	

⁵⁾ Normal conditions defined in IEC 60947-1-6.1

⁶⁾ 1000 V with all the poles connected in series, 600 V with 2 poles in series

Technical data according to IEC 60947 for enclosed switch-disconnectors OTDCP

Switch size		A	OTDCP16	OTDCP25	OTDCP32
Rated insulation voltage	Pollution degree 2	V	1250	1250	1250
	Pollution degree 3	V	1000	1000	1000
Dielectric strength	50 Hz 1 min	kV	6	6	6
Rated impulse withstand voltage		kV	8	8	8
Rated impulse withstand voltage	In enclosure 40°C	A	25	32	45
	In enclosure 60°C	A	25	32	32
Rated operational current / poles in series	660 V	A	16/2	25/2	32/2
DC-21B	1000 V	A	16/3	25/3	32/3
	2x660 V ⁹⁾	A	16/4	25/4	32/4
Rated short-time withstand current, 1000 V, 1 s	R.M.S. -value I _{sw}	kA	0.4	0.6	0.8
Power loss / pole	At rated current	W	0.15	0.3	0.5

⁹⁾ 1000 V with all the poles connected in series, 600 V with 2 poles in series

Technical data

OTDC16...600

Technical data in accordance to UL508I for photovoltaic disconnect switches OTDC16...32U

Suitable For Use in Photovoltaic Systems in Accordance With Article 690 of the NEC.

Switch size		OTDC16U	OTDC25U	OTDC32U	
UL Listed	Standard	UL 508I	UL 508I	UL 508I	
Rated ambient temperature	°C	...+60	...+60	...+60	
Rated current /poles in series	600 V	One circuit	16/2	25/2	
		Two circuits	16/2	25/2x2	32/2x2
		Three circuits	16/2		
Short circuit rating	kA, 600 V	5	5	5	
	Protection type	RK5 Fuse	RK5 Fuse	RK5 Fuse	
Wire range	MCM	12-6 AWG	12-6 AWG	12-6 AWG	
Technical data according to IEC 60947	See IEC table for type	OTDC16U	OTDC25U	OTDC32U	

Technical data in accordance to UL98B for photovoltaic disconnect switches OTDC100...600U

Suitable For Use in Photovoltaic Systems in Accordance With Article 690 of the NEC.

Switch size		OTDC100U	OTDC200U	OTDC250U	OTDC320U	OTDC400U	OTDC600U	
UL Listed	Standard	UL 98B	UL 98B	UL 98B	UL 98B	UL 98B	UL 98B	
Rated ambient temperature	°C	-20...+50	-20...+50	-20...+50	-20...+50	-20...+50	-20...+50	
Rated current /poles in series	1000 V	One circuit	100/2	200/2	250/2	320/2	400/2	600/2
		Two circuits	100/2	180/2	250/2	320/2	400/2	
Short circuit rating	1500 V ⁷⁾	One circuit			250/3	320/3	400/3	
		kA, 1000 V	5	5	10	10	10	10
	Protection type	Circuit breaker	Circuit breaker	Circuit breaker	Circuit breaker	Circuit breaker	Circuit breaker	
Wire range	MCM	#4-300	#4-300	#2 – 600	#2 – 600	#2 – 600	#2 – 600	
Technical data according to IEC 60947	See IEC table for type	OTDC160E	OTDC250E	OTDC315E	OTDC400E	OTDC500E	OTDC630E	

⁷⁾ For 4 pole switches (double circuit use), the current rating at 1000 VDC is 180 A.

⁸⁾ 1500 V ratings are not within the scope of UL98B. 1500 V values are self-certified and tested at 1500 V, based on corresponding 1000 V UL98B guidelines.

Type designation key

OTDC16...32, IEC

OTDC	16	F	3
1	2	3	4

1	Brand
OTDC	ABB DC switch-disconnector brand
2	Switch size
16...32	16, 25 and 32 Amperes
3	Mounting/construction
F_	Base mounted, IEC
U_	Base mounted, UL508i
US_	Base mounted, UL, factory mounted jumpers

UT	Door mounted, UL
UST	Door mounted, UL, factory mounted jumpers
FT	Door mounted, IEC
4	Number of poles
2	Two poles
3	Three poles
4	Four poles
6	Six poles

OTDC100...800, IEC and UL98B

OTDC	200	U	S	11	K
1	2	3	4	5	6

1	Brand
OTDC	ABB DC switch-disconnector brand
2	Switch size
100...800	100...800 Amperes
3	Voltage and standard
E	1000 VDC, IEC
U	1000 VDC, UL98B
4	Short circuit links
blank	Short circuit links not included
V	Factory mounted short circuit link, 1500 VDC
S	Pre-mounted short circuit links, single wire breaking
PP	Pre-mounted connection bars, supply and load side parallel

5	Number of poles
11	Two poles, mechanism between the poles
02, 20	Two poles, mechanism at the end of the switch
12	Three poles, mechanism between the poles
22	Four poles, mechanism between the poles
04, 40	Four poles, mechanism at the end of the switch
33	Six poles, mechanism between the poles
6	Included handle
-	none
P	external handle
K	direct mount, front operation
S	direct mount, side operation

OTDCP16...32, IEC

OTDC	P	16	S	11	M	D
1	2	3	4	5	6	7

1	Brand
OTDC	ABB DC switch-disconnector brand
2	Enclosure material
P	Plastic
3	Switch size
16...32	16, 25 and 32 Amperes
4	Selector handle color
S	Black
SA	Red-yellow
5	Contact configuration
11, 12, 22	See connection diagrams in pages 16-17

6	Cable entries
M	Threaded knock-out M20
M16	Threaded knock-out M16
U	Blank cable entries
UM	Black top cable entry and threaded knockout M20 bottom cable entry
M16	Threaded knockouts: M16 top cable entry and M20 bottom cable entry
7	Connection options
-	Single circuit use
D	Double circuit use

OTDC16...32 ordering information

Front operated switch-disconnectors, IEC

OTDC16...32F2



Switch-disconnectors OTDC_, base or DIN-rail mounting, IEC

Types OTDC16...32 include IP20 protected terminal clamps. Shafts and handles need to be ordered separately, see pages 33-34. Short circuit links included in the package.

OTDC16...32F3



Single circuit use Up to 660 VDC

Number of poles	Rated operat. current [A]		Type	Order number	Weight/unit [kg]
	DC 21B / 660 V				
2	16		OTDC16F2	1SCA121454R1001	0.15
2	25		OTDC25F2	1SCA121455R1001	0.15
2	32		OTDC32F2	1SCA121456R1001	0.15

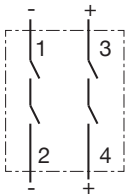
OTDC16...32F4



Up to 1000 VDC

Number of poles	Rated operat. current [A]		Type	Order number	Weight/unit [kg]
	DC 21B / 1000 V				
2	10		OTDC16F2	1SCA121454R1001	0.20
2	16		OTDC25F2	1SCA121455R1001	0.20
2	20		OTDC32F2	1SCA121456R1001	0.20
3	16		OTDC16F3	1SCA121457R1001	0.20
3	25		OTDC25F3	1SCA121458R1001	0.20
3	32		OTDC32F3	1SCA121459R1001	0.20

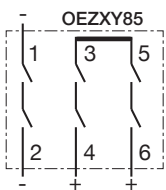
OTDC_F2



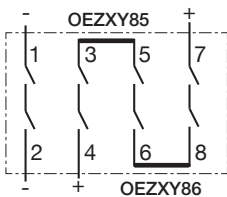
Double circuit use Up to 1000 VDC

Number of poles	Rated operat. current [A]		Type	Order number	Weight/unit [kg]
	DC 21B / 660 V	DC 21B / 1000 V			
2x2	16	10	OTDC16F4	1SCA121461R1001	0.25
2x2	25	16	OTDC25F4	1SCA121462R1001	0.25
2x2	32	20	OTDC32F4	1SCA121463R1001	0.25

OTDC_F3



OTDC_F4



OTDC16...32 ordering information

Front operated switch-disconnectors, UL

OTDC16U2, OTDC16US2



Switch-disconnectors OTDC_, base or DIN-rail mounting, UL

Touch-safe IP20 protected terminal clamps included. Types OTDC16...32US include pre-mounted short circuit link OEZXY86. Shafts and handles to be ordered separately.

OTDC16U4, OTDC16US4



Single circuit

Number of poles	Rated operat. current [A]			Type	Order number	Weight/unit [kg]
	UL	IEC				
	600 VDC	660 VDC	1000 VDC			
2	16	16	10	OTDC16U2	1SCA134369R1001	0.15
2	25	25	16	OTDC25U2	1SCA134375R1001	0.15
2	16	16	-	OTDC16US2	1SCA134372R1001	0.15
2	25	25	-	OTDC25US2	1SCA134378R1001	0.15

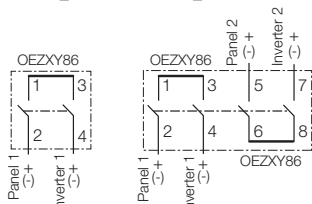
OTDC16U6, OTDC16US6



Double circuit

Number of poles	Rated operat. current [A]			Type	Order number	Weight/unit [kg]
	UL	IEC				
	600 VDC	660 VDC	1000 VDC			
4	16	16	10	OTDC16U4	1SCA134370R1001	0.15
4	25	25	16	OTDC25U4	1SCA134377R1001	0.15
4	32	32	20	OTDC32U4	1SCA136703R1001	0.15
4	16	16	-	OTDC16US4	1SCA134373R1001	0.15
4	25	25	-	OTDC25US4	1SCA134379R1001	0.15
4	32	32	-	OTDC32US4	1SCA136704R1001	0.15

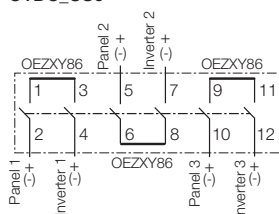
OTDC_US2 OTDC_US4



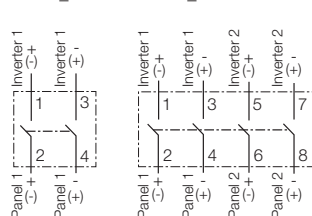
Triple circuit

Number of poles	Rated operat. current [A]			Type	Order number	Weight/unit [kg]
	UL	IEC				
	600 VDC	660 VDC	1000 VDC			
6	16	16	10	OTDC16U6	1SCA134371R1001	0.15
6	16	16	-	OTDC16US6	1SCA134374R1001	0.15

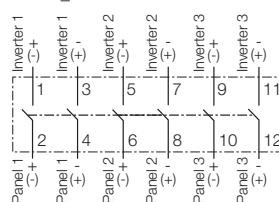
OTDC_US6



OTDC_U2 OTDC_U4



OTDC_U6



OTDC16...32 ordering information

Front operated switch-disconnectors, IEC

OTDC16...32FT2



Switch-disconnectors OTDC_, door mounting, IEC

Types OTDC16...32 include IP20 protected terminal clamps. Shafts and handles need to be ordered separately, see pages 33-34. Short circuit links included in the package.

OTDC16...32FT3



Single circuit use

Up to 660 VDC

Number of poles	Rated operat. current [A]		Type	Order number	Weight/unit [kg]
	DC 21B / 660 V				
2	16		OTDC16FT2	1SCA123839R1001	0.15
2	25		OTDC25FT2	1SCA123842R1001	0.15
2	32		OTDC32FT2	1SCA123845R1001	0.15

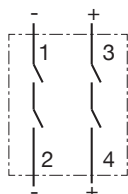
OTDC16...32FT4



Up to 1000 VDC

Number of poles	Rated operat. current [A]		Type	Order number	Weight/unit [kg]
	DC 21B / 1000 V				
2	10		OTDC16FT2	1SCA123839R1001	0.20
2	16		OTDC25FT2	1SCA123842R1001	0.20
2	20		OTDC25FT2	1SCA123845R1001	0.20
3	16		OTDC16FT3	1SCA123840R1001	0.20
3	25		OTDC25FT3	1SCA123843R1001	0.20
3	32		OTDC32FT3	1SCA123846R1001	0.20

OTDC_FT2

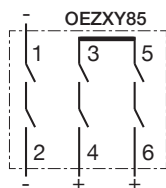


Double circuit use

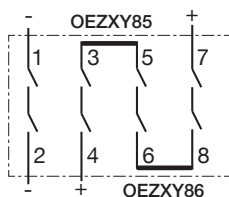
Up to 1000 VDC

Number of poles	Rated operat. current [A]		Type	Order number	Weight/unit [kg]
	DC 21B / 660 V	DC 21B / 1000 V			
2x2	16	10	OTDC16FT4	1SCA123841R1001	0.25
2x2	25	16	OTDC25FT4	1SCA123844R1001	0.25
2x2	32	20	OTDC32FT4	1SCA123847R1001	0.25

OTDC_FT3



OTDC_FT4



OTDC16...32 ordering information

Front operated switch-disconnectors, UL

OTDC16UT2, OTDC16UST2



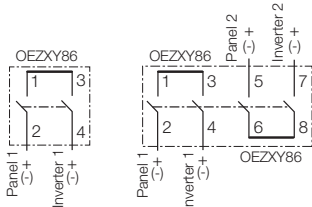
OTDC16UT4, OTDC16UST4



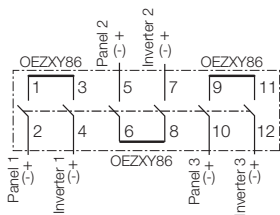
OTDC16UT6, OTDC16UST6



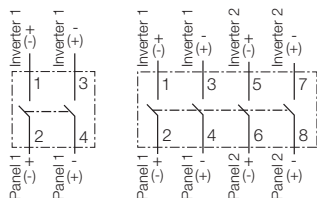
OTDC_UST2 OTDC_UST4



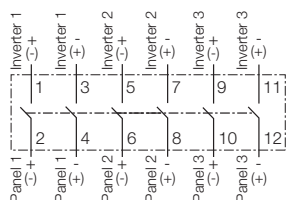
OTDC_UST6



OTDC_UT2 OTDC_UT4



OTDC_UT6



Switch-disconnectors OTDC16...32U_T, door mounting

Touch-safe IP20 protected terminal clamps included. Types OTDC16...32US include pre-mounted short circuit link OEZY86. Shafts and handles to be ordered separately.

Single circuit - up to 1000 VDC

Number of poles	Rated operat. current [A]			Type	Order number	Weight/unit [kg]
	UL 600 VDC	IEC 660 VDC	1000 VDC			
2	16	16	10	OTDC16UT2	1SCA134387R1001	0.15
2	25	25	16	OTDC25UT2	1SCA134388R1001	0.15
2	16	16	-	OTDC16UST2	1SCA134581R1001	0.15
2	25	25	-	OTDC25UST2	1SCA134578R1001	0.15

Double circuit - up to 1000 VDC

Number of poles	Rated operat. current [A]			Type	Order number	Weight/unit [kg]
	UL 600 VDC	IEC 660 VDC	1000 VDC			
4	16	16	10	OTDC16UT4	1SCA134390R1001	0.15
4	25	25	16	OTDC25UT4	1SCA134391R1001	0.15
4	32	32	20	OTDC32UT4	1SCA136705R1001	0.15
4	16	16	-	OTDC16UST4	1SCA134582R1001	0.15
4	25	25	-	OTDC25UST4	1SCA134579R1001	0.15
4	32	32	-	OTDC32UST4	1SCA136706R1001	0.15

Triple circuit - up to 1000 VDC

Number of poles	Rated operat. current [A]			Type	Order number	Weight/unit [kg]
	UL 600 VDC	IEC 660 VDC	1000 VDC			
6	16	16	10	OTDC16UT6	1SCA134580R1001	0.15
6	16	16	-	OTDC16UST6	1SCA134583R1001	0.15

OTDCP16...32 ordering information

Enclosed switch-disconnectors, IEC

OTDCP_SA_



Plastic enclosed switch-disconnectors OTDCP_, IEC

M20 threaded knock-outs, compression glands have to be ordered separately.
M16 threaded knock-outs available on request.

Up to 660 VDC

Number of poles	Rated operat. current [A] DC 21B / 660 V	Type	Order number	Weight/unit [kg]
Includes red-yellow selector handle (I-O and ON-OFF indication)				
2	16	OTDCP16SA11M	1SCA125126R1001	0.55
2	25	OTDCP25SA11M	1SCA125127R1001	0.55
2	32	OTDCP32SA11M	1SCA125128R1001	0.55
Includes black selector handle (I-O and ON-OFF indication)				
2	16	OTDCP16S11M	1SCA125129R1001	0.55
2	25	OTDCP25S11M	1SCA125130R1001	0.55
2	32	OTDCP32S11M	1SCA125131R1001	0.55

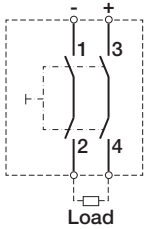
OTDCP_S_



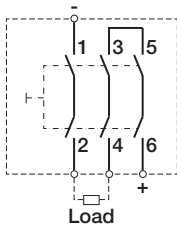
Up to 1000 VDC

Number of poles	Rated operat. current [A] DC 21B / 1000 V	Type	Order number	Weight/unit [kg]
Includes red-yellow selector handle (I-O and ON-OFF indication)				
3	16	OTDCP16SA12M	1SCA125150R1001	0.55
3	25	OTDCP25SA12M	1SCA125151R1001	0.55
3	32	OTDCP32SA12M	1SCA125152R1001	0.55
Includes black selector handle (I-O and ON-OFF indication)				
3	16	OTDCP16S12M	1SCA125153R1001	0.59
3	25	OTDCP25S12M	1SCA125154R1001	0.59
3	32	OTDCP32S12M	1SCA125155R1001	0.59

OTDCP_11_



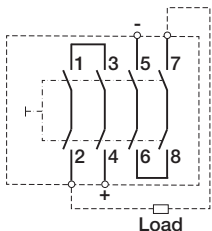
OTDCP_12_



Up to 1000 VDC or 2x660 VDC¹⁾

Number of poles	Rated operat. current [A] DC 21B / 1000 V	Type	Order number	Weight/unit [kg]
Includes red-yellow selector handle (I-O and ON-OFF indication)				
4	16	OTDCP16SA22M	1SCA125094R1001	0.63
4	25	OTDCP25SA22M	1SCA125091R1001	0.63
4	32	OTDCP32SA22M	1SCA125090R1001	0.63
Includes black selector handle (I-O and ON-OFF indication)				
4	16	OTDCP16S22M	1SCA125095R1001	0.63
4	25	OTDCP25S22M	1SCA125092R1001	0.63
4	32	OTDCP32S22M	1SCA125093R1001	0.63

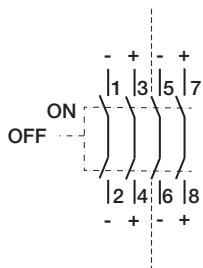
OTDCP_22_



OTDCP16...32 ordering information

Enclosed switch-disconnectors, IEC

OTDCCP22_22_MD



Double circuit

Number of poles	Rated operat. current [A]		Type	Order number	Weight/unit [kg]
	DC 21B / 660 V	DC 21B / 1000 V			
Includes red-yellow selector handle (I-0 and ON-OFF indication)					
4	16	10	OTDCP16SA22MD	1SCA131850R1001	0.63
4	25	16	OTDCP25SA22MD	1SCA131851R1001	0.63
4	32	20	OTDCP32SA22MD	1SCA131852R1001	0.63
Includes black selector handle (I-0 and ON-OFF indication)					
4	16	10	OTDCP16S22MD	1SCA131730R1001	0.63
4	25	16	OTDCP25S22MD	1SCA131731R1001	0.63
4	32	20	OTDCP32S22MD	1SCA131732R1001	0.63

OTDC100...800 ordering information

Front operated switch-disconnectors, IEC

OTDC100...250E02



OTDC100...250E11



OTDC315...500E02



OTDC315...500E11



OTDC630...800EPP22



Single circuit, 1000 VDC, IEC - 100 to 800 A

Shafts and handles are not included. Switches with external handle (OTDC_P, e.g. OTDC200E02P) or direct mount handle (OTDC_K, e.g. OTDC400E02K) are available. Phase barriers included if mandatory. Included terminal bolts:

- OTDC100...250: M8x25
- OTD315...400: M10x30
- OTDC500...800: M12x40

Number of poles	Rated operat. current [A] DC 21B / 1000 V	Type	Order number	Weight/unit [kg]	Recommended handle	
					Direct mount (K)	External (P) + shaft
Front operated, mechanism at the end of the switch.						
2	100	OTDC100E02	1SCA125822R1001	1.1	OTDV250EK	OHB65J6
2	160	OTDC160E02	1SCA125840R1001	1.1		+ shaft OXP6x210
2	200	OTDC200E02	1SCA123687R1001	1.1		
2	250	OTDC250E02	1SCA125866R1001	1.1		
2	315	OTDC315E02	1SCA132337R1001	4.3	OTDV400EK	OHB95J12
2	400	OTDC400E02	1SCA132349R1001	4.3		+ shaft OXP12x185
2	500	OTDC500E02	1SCA132357R1001	4.3		
Front operated, mechanism between the poles. OTDC_EPP types include pre-mounted connection bars.						
2	100	OTDC100E11	1SCA125821R1001	1.1	OTDV250EK	OHB65J6
2	160	OTDC160E11	1SCA123745R1001	1.1		+ shaft OXP6X210
2	200	OTDC200E11	1SCA125626R1001	1.1		
2	250	OTDC250E11	1SCA125865R1001	1.1		
2	315	OTDC315E11	1SCA130982R1001	4.3	OTDV400EK	OHB95J12
2	400	OTDC400E11	1SCA130983R1001	4.3		+ shaft OXP12x185
2	500	OTDC500E11	1SCA132135R1001	4.3		
2	630	OTDC630EPP22	1SCA137205R1001	7	OTDV400EK	OHB95J12
						+ shaft OXP12x185
2	800	OTDC800EPP22	1SCA137210R1001	7		

Connection kits and shrouds

See pages 20-21 for circuit diagrams, connection kits and link shrouds. The column "Needed quantity" tells how many pieces need to be ordered for each switch. The kits include the needed short circuit links, screws and washers.

Switches	Circuit type	Connection kit/ short circuit link		Recommended shroud	
		Type	Needed Quantity	Type	Needed quantity
OTDC100...500E02, OTDC100...500E11	2a, 2b	-	-	-	-
OTDC630...800EPP22 ¹⁾	6c	-	-	OTDCS400T2L	4

¹⁾ Connection bars are pre-mounted for all OTDC_EPP types

OTDC100...800 ordering information

Front operated disconnect switches, UL

OTDC100...200US02



Single circuit, 1000 VDC, UL98B - 100 to 600 A

Shafts and handles are not included. Switches with direct mount handle (OTDC_K, e.g. OTDC400E02K) are available. Phase barriers are included if mandatory. Included terminal bolts:

- OTDC100...200: M8x25
- OTD250...320: M10x30
- OTDC400...600: M12x40

OTDC250...400US11



OTDC250...400U11



OTDC600USPP22



OTDC600UPP22



Number of poles	Rated operat. current [A] UL98B / 1000 V	Type	Order number	Weight/unit [kg]	Recommended handle Direct mount (K)
Front operated, mechanism at the end of the switch. OTDC_US types include pre-mounted short circuit link.					
2	100	OTDC100US02	1SCA126155R1001	1.2	OTDV250EK
2	200	OTDC200US02	1SCA126121R1001	1.2	
2	100	OTDC100U02	1SCA126184R1001	1.1	
2	200	OTDC200U02	1SCA126123R1001	1.1	
2	250	OTDC250US02	1SCA132335R1001	4.4	OTDV400EK
2	320	OTDC320US02	1SCA132345R1001	4.4	
2	400	OTDC400US02	1SCA132354R1001	4.4	
2	250	OTDC250U02	1SCA132330R1001	3.8	OTDV400EK
2	320	OTDC320U02	1SCA132341R1001	3.8	
2	400	OTDC400U02	1SCA132352R1001	3.8	
Front operated, mechanism between the poles. OTDC_US and OTDC_U_PP types include pre-mounted short circuit links/bars.					
2	100	OTDC100US11	1SCA125437R1001	1.2	OTDV250EK
2	200	OTDC200US11	1SCA125436R1001	1.2	
2	100	OTDC100U11	1SCA123957R1001	1.1	
2	200	OTDC200U11	1SCA123767R1001	1.1	
2	250	OTDC250US11	1SCA131012R1001	4.4	OTDV400EK
2	320	OTDC320US11	1SCA131013R1001	4.4	
2	400	OTDC400US11	1SCA131014R1001	4.4	
2	250	OTDC250U11	1SCA130985R1001	3.8	
2	320	OTDC320U11	1SCA130986R1001	3.8	
2	400	OTDC400U11	1SCA130990R1001	3.8	
2	600	OTDC600USPP22	1SCA137213R1001	7.9	OTDV400EK
2	600	OTDC600UPP22	1SCA137207R1001	7	

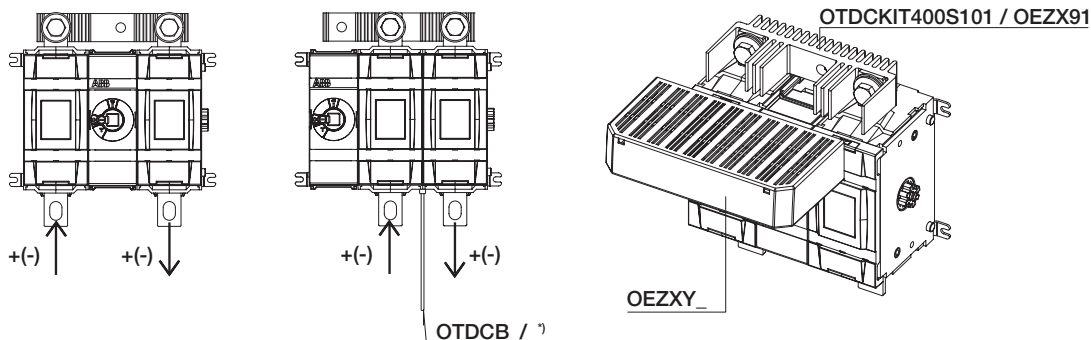
Connection kits and shrouds



Pre-mounted short circuit links/connection bars are included for all OTDC_US and OTDC_UPP types. Shrouds must be ordered separately. See pages 20-21 for circuit diagrams, connection kits and shrouds. The column "Needed quantity" tells how many pieces need to be ordered for each switch. The kits include the needed short circuit links/bars, screws and washers.

Switches	Circuit type	Connection kit/ short circuit link		Recommended shroud	
		Type	Needed quantity	Type	Needed quantity
OTDC100...200US11, OTDC100...200US02	1a, 1b	-	-	OEZXY92	1
OTDC100...200U11, OTDC100...200U02	2a, 2b	-	-	-	-
OTDC250...400US11, OTDC250...400US02	1a, 1b	-	-	OEZXY97	1
OTDC250...400U11, OTDC250...400U02	1a, 1b	OTDCKIT400S101	1	OEZXY97	1
OTDC250...400U11, OTDC250...400U02	2a, 2b	-	-	-	-
OTDC600UPP22	6c	-	-	OTDCS400T2L	4
OTDC600USPP22	6e	-	-	OTDCS400T2L	2
	6e	-	-	OTDCS2504GB	1

Circuit 1a, 1b, 1000 VDC



Circuit 1a, 1b

Accessories for OTDC315...500E, OTDC250...400U

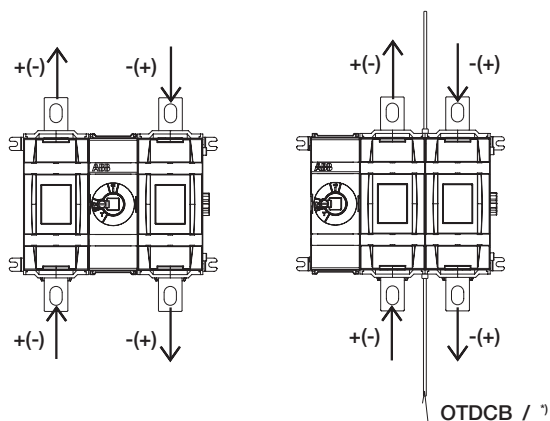
Description	Type	Order number	Needed quantity
Needed short circuit link -KIT	OTDCKIT400S101	1SCA136280R1001	1
Recommended shroud	OEZXY97	1SCA130816R1001	1

Circuit 1a

Accessories for OTDC100...250E

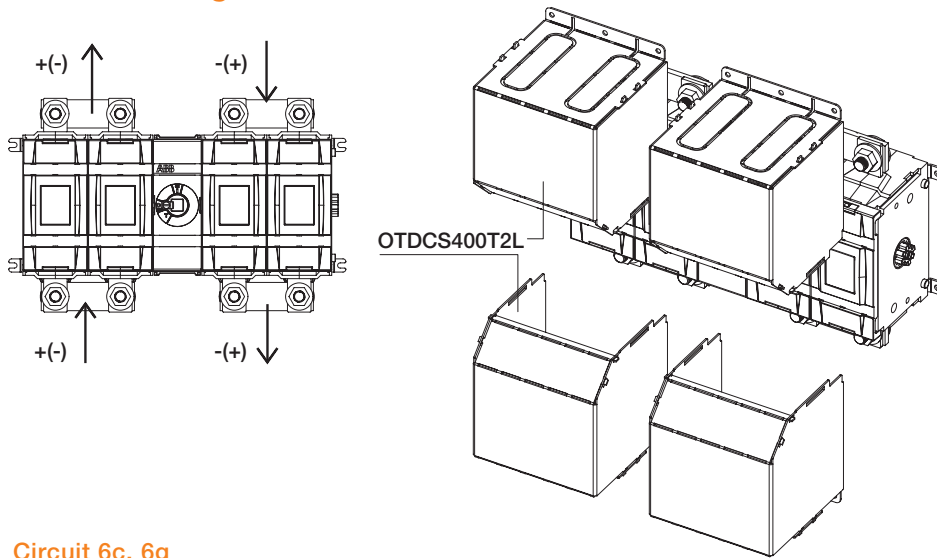
Description	Type	Order number	Needed quantity
Needed short circuit link -KIT	OEZXY91	1SCA125290R1001	1
Recommended shroud	OEZXY92	1SCA127382R1001	1

Circuit 2a, 2b, 1000 VDC



¹ OTDCB / _ phase barrier(s) included if mandatory

Circuit 6c, 6g, 1000 VDC

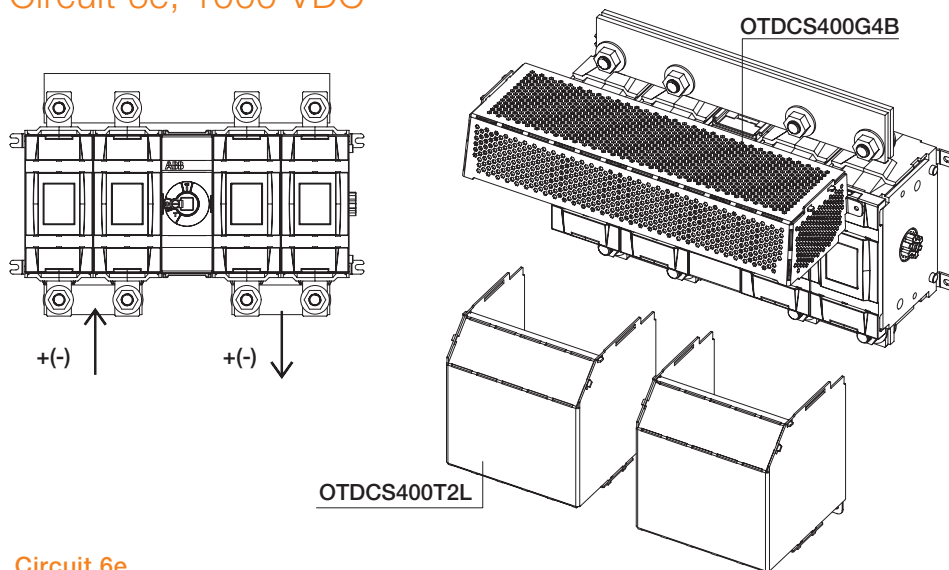


Circuit 6c, 6g

Accessories for OTDC630...800EPP, OTDC600UPP

Description	Type	Order number	Needed quantity
Needed short circuit link -KIT	-	-	-
Recommended shroud	OTDCS400T2L	1SCA136275R1001	4

Circuit 6e, 1000 VDC



Circuit 6e

Accessories for OTDC600USPP

Description	Type	Order number	Needed quantity	Type	Order number	Needed quantity
Needed short circuit link -KIT	-	-	-	-	-	-
Recommended shroud	OTDCS400T2L	1SCA136275R1001	2	OTDCS250G4B	1SCA136274R1001	1

OTDC100...800 ordering information

Front operated switch-disconnectors, IEC

OTDC100...250E22



Double circuit and load side combining, 1000 VDC,
IEC - 100...500 A

The switches OTDC_E22 can be used for double circuit applications or to create a combined output up to 1000 A. Shafts and handles are not included. Switches with external handle (OTDC_P, e.g. OTDC200E22P) or direct mount handle (OTDC_K, e.g. OTDC400E22K) are available. Phase barriers included if mandatory. Included terminal bolts:

- OTDC100...250: M8x25
- OTD315...400: M10x30
- OTDC500: M12x40

OTDC315...500E22



Number of poles	Rated operat. current [A] DC 21B / 1000 V	Type	Order number	Weight/unit [kg]	Recommended handle	
					Direct mount (K)	External (P) + shaft
Mechanism between the poles						
2x2	100	OTDC100E22	1SCA125824R1001	1.9	OTDV250EK	OHB65J6 + shaft OXP6x210
2x2	160	OTDC160E22	1SCA125844R1001	1.9		
2x2	200	OTDC200E22	1SCA125856R1001	1.9		
2x2	250	OTDC250E22	1SCA125869R1001	1.9		
2x2	315	OTDC315E22	1SCA131001R1001	6.6	OTDV400EK	OHB95J12 + shaft OXP12x185
2x2	400	OTDC400E22	1SCA131036R1001	6.6		
2x2	500	OTDC500E22	1SCA132142R1001	7		

OTDCKIT400B11



Connection kits and shrouds

See pages 24-25 for circuit diagrams, connection kits and shrouds. The column "Needed quantity" tells how many pieces need to be ordered for each switch. The kits include the needed short circuit links/bars, screws and washers.

Switches	Circuit type	Connection kit/ short circuit link		Recommended shroud	
		Type	Needed Quantity	Type	Needed Quantity
OTDC100...500E22	4a, 4c	-	-	-	-
OTDC315...500E22	6d	OTDCKIT400B11	2	OTDCS400T2L	2

OTDC100...800 ordering information

Front operated disconnect switches, UL

OTDC100...180US22



Double circuit and load side combining, 1000 VDC, UL98B -100...400 A

The switches OTDC_U22 and OTDCUS22 can be used for double circuit applications or to create a combined output up to 800 A. Shafts and handles are not included. Switches with direct mount handle (OTDC_K, e.g. OTDC400U22K) are available. Phase barriers are included if mandatory. Included terminal bolts:

- OTDC100...200: M8x25
- OTD250...320: M10x30
- OTDC400: M12x40

OTDC100...200U22



OTDC250...400US22



OTDC250...400U22



Number of poles	Rated operat. current [A] UL98B / 1000 V	Type	Order number	Delivery batch [pcs]	Weight/unit [kg]	Recommended handle Direct mount (K)
Mechanism between the poles. OTDC_US types include pre-mounted short circuit links.						
2X2	100	OTDC100US22	1SCA126181R1001	1	2.5	OTDV250EK
2X2	180	OTDC180US22	1SCA126942R1001	1	2.5	
2X2	100	OTDC100U22	1SCA126180R1001	1	2.3	OTDV250EK
2X2	180	OTDC180U22	1SCA126941R1001	1	2.3	
2X2	250	OTDC250US22	1SCA131030R1001	1	6.6	OTDV400EK
2X2	320	OTDC320US22	1SCA131032R1001	1	6.6	
2X2	400	OTDC400US22	1SCA132300R1001	1	6.6	
2X2	250	OTDC250U22	1SCA131003R1001	1	6.6	OTDV400EK
2X2	320	OTDC320U22	1SCA131006R1001	1	6.6	
2X2	400	OTDC400U22	1SCA131010R1001	1	6.6	

Connection kits and shrouds

Pre-mounted short circuit links/connection bars are included for all OTDC_US types. Shrouds must be ordered separately. See pages 24-25 for circuit diagrams, connection kits and shrouds. The column "Needed quantity" tells how many pieces need to be ordered for each switch. The kits include the needed short circuit links/bars, screws and washers.

OTDCKIT400S11



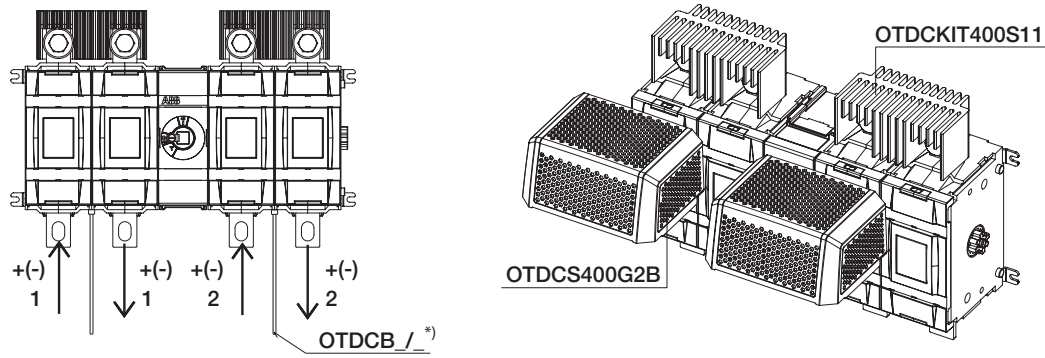
OTDCKIT400B11



Switches	Circuit type	Connection kit/ short circuit link		Recommended shroud	
		Type	Needed quantity	Type	Needed quantity
OTDC100...180US22 ¹⁾	3	OEZXY91	2	OEZXY92	2
OTDC250...400US22 ¹⁾ , OTDC250...400U22	3	OTDCKIT400S11	2	OTDCS400G2B	2
OTDC100...180U22, OTDC250...400U22	4a	-	-	-	-
OTDC250...400U22	6d	OTDCKIT400B11	2	OTDCS400T2L	2
OTDC250...400US22 ¹⁾	6f	OTDCKIT400B101	1	OTDCS400G2B	2
				OTDC400T11L	1

¹⁾ Short circuit links are premounted, for circuit 6f OTDCKIT400B101 must be ordered separately

Circuit 3, 1000 VDC - Double circuit



Circuit 3

Accessories for OTDC315...500E, OTDC250...400U

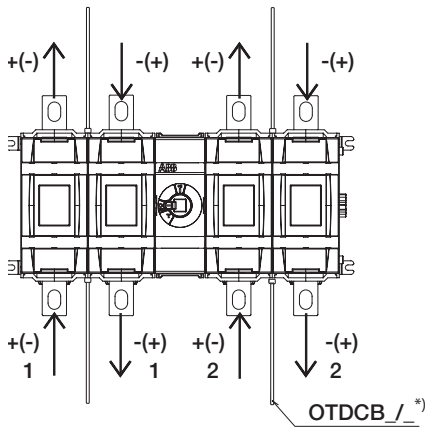
Description	Type	Order number	Needed quantity
Needed short circuit link -KIT	OTDCKIT400S11	1SCA136281R1001	2
Recommended shroud	OTDCS400G2B	1SCA136273R1001	2

Circuit 3

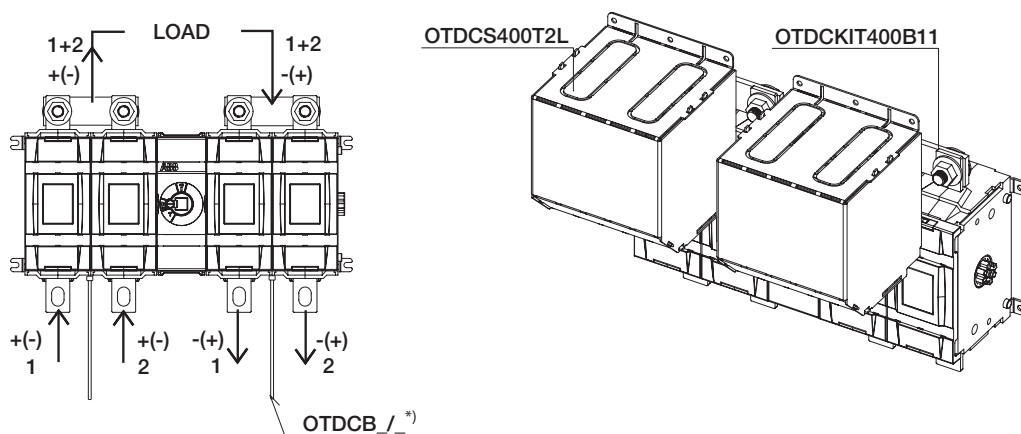
Accessories for OTDC100...250E

Description	Type	Order number	Needed quantity
Needed short circuit link -KIT	OEZXY91	1SCA125290R1001	2
Recommended shroud	OEZXY92	1SCA127382R1001	2

Circuit 4a, 4c, 1000 VDC - Double circuit



Circuit 6d, 1000 VDC - Load side combining



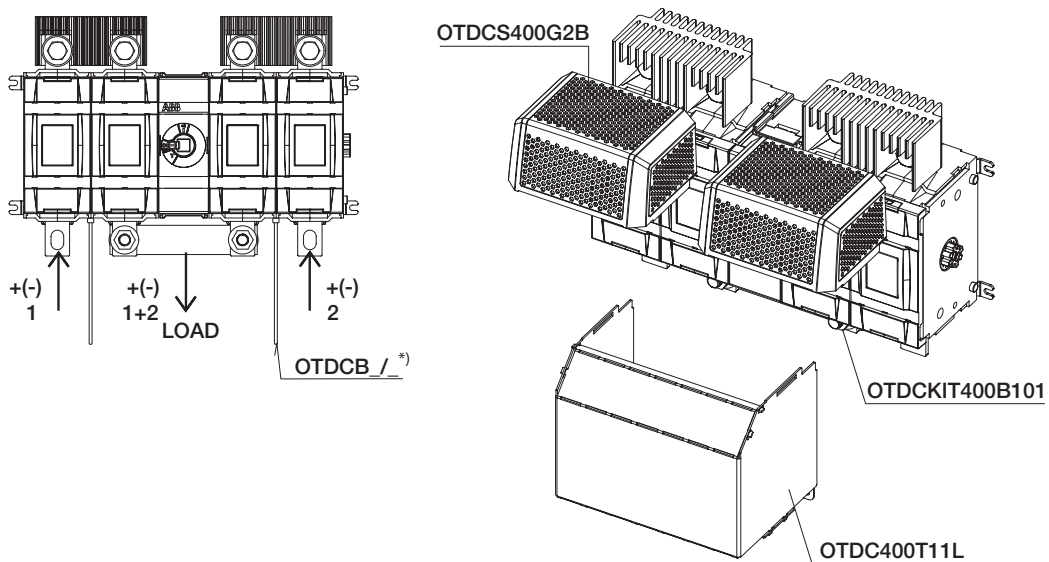
Circuit 6d

Accessories for OTDC315...500E, OTDC250...400U

Description	Type	Order number	Needed quantity
Needed connection bar kit	OTDCKIT400B11	1SCA136282R1001	2
Recommended shroud	OTDCS400T2L	1SCA136275R1001	2

* OTDCB / _ phase barrier(s) included if mandatory

Circuit 6f, 1000 VDC - Load side combining



Circuit 6f

Accessories for OTDC250...400US

Description	Type	Order number	Needed quantity	Type	Order number	Needed quantity
Needed connection bar kit	OTDCKIT400B101	1SCA136283R1001	1	-	-	-
Recommended shroud	OTDCS400G2B	1SCA136273R1001	2	OTDCS400T11L	1SCA136279R1001	1

*OTDCB_/_ phase barrier(s) included if mandatory

OTDC100...800 ordering information

Front operated switch-disconnectors, IEC

OTDC315...500E33



Triple circuit and load side combining, up to 1000 VDC,
IEC - 315...500 A

The switches OTDC_E33 can be used for triple circuit applications or to create a combined output up to 1500 A. Shafts and handles are not included. Switches with external handle (OTDC_P, e.g. OTDC400E33P) or direct mount handle (OTDC_K, e.g. OTDC400E33K) are available. Terminal bolts M12x40 included. Phase barriers included if mandatory.

Number of poles	Rated operat. current [A] DC 21B / 1000 V	Type	Order number	Weight/unit [kg]	Recommended handle	
					Direct mount (K)	External (P) + shaft
Mechanism between the poles, single circuit						
2x3	315	OTDC315E33	1SCA137230R1001	6.6	OTDV400EK2	0HB145J12
2x3	400	OTDC400E33	1SCA137231R1001	6.6		+ shaft OXP12x185
2x3	500	OTDC500E33	1SCA137234R1001	6.6		

OTDCKIT400B111

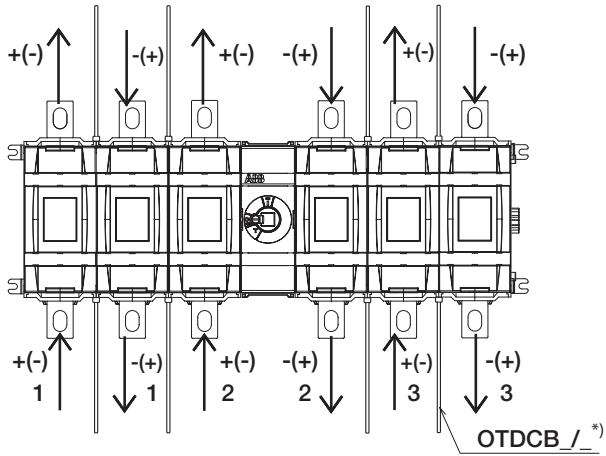


Connection kits and shrouds

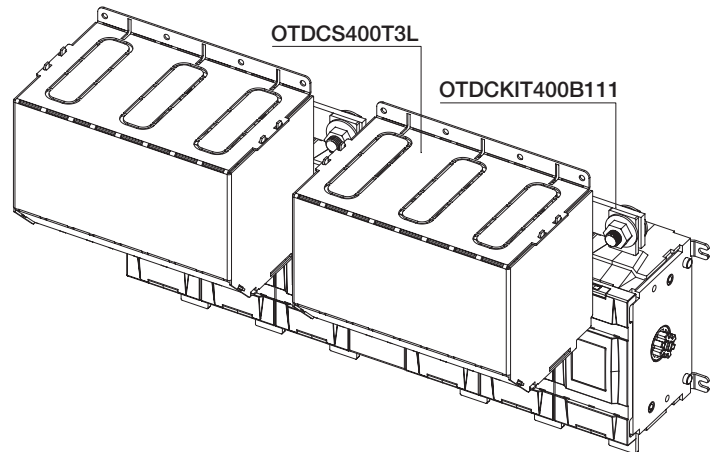
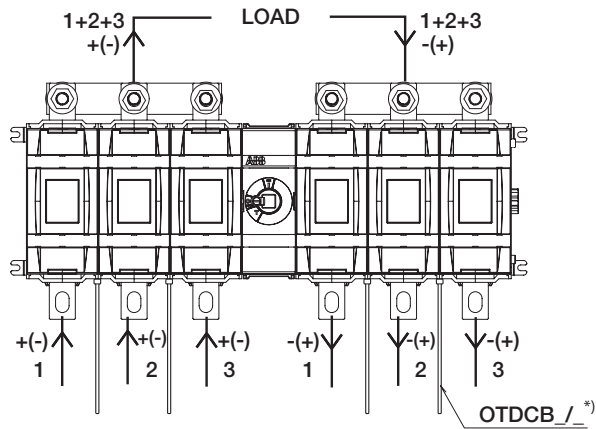
See page 27 for circuit diagrams, connection kits and shrouds. The column "Needed quantity" tells how many pieces need to be ordered for each switch. The kits include the needed bars, screws and washers.

Switches	Circuit type	Connection kit/ short circuit link		Recommended shroud	
		Type	Needed Quantity	Type	Needed Quantity
OTDC315...500E33	7a, 7e	-	-	-	-
	7d	OTDCKIT400B111	2	OTDCS400T3L	2

Circuit 7a,7e, 1000 VDC



Circuit 7d, 1000 VDC



Circuit 7d

Accessories for OTDC315...500E

Description	Type	Order number	Needed quantity
Needed short circuit link -KIT	OTDCKIT400B111	1SCA136284R1001	2
Recommended shroud	OTDCS400T3L	1SCA136276R1001	2

*OTDCB_/_ phase barrier(s) included if mandatory

OTDC100...800 ordering information

Front operated switch-disconnectors, IEC

OTDC315...500EV12



Single and double circuit, 1500 VDC, IEC - 315...500 A

Shafts and handles are not included. Switches with external handle (OTDC_P, e.g. OTDC200EV12P) or direct mount handle (OTDC_K, e.g. OTDC400EV12K) are available. Phase barriers included if mandatory. Included terminal bolts:

- OTD315...400: M10x30
- OTDC500: M12x40

OTDC315...500E33



Number of poles	Rated operat. current [A] DC 21B / 1500 V	Type	Order number	Weight/unit [kg]	Recommended handle	
					Direct mount (K)	External (P)+ shaft
Mechanism between the poles, single circuit. Pre-mounted short circuit link.						
3	315	OTDC315EV12	1SCA132258R1001	5.1	OTDV400EK	OHB95J12 + shaft OXP12x185
3	400	OTDC400EV12	1SCA132256R1001	5.1		
3	500	OTDC500EV12	1SCA132257R1001	5.1		
Mechanism between the poles, double circuit.						
2x3	315	OTDC315E33	1SCA137230R1001	6.6	OTDV400EK2	OHB145J12 + shaft OXP12x185
2x3	400	OTDC400E33	1SCA137231R1001	6.6		
2x3	500	OTDC500E33	1SCA137234R1001	6.6		

OTDCKIT400S101



Connection kits and shrouds

Pre-mounted short circuit links/connection bars are included for OTDC_EV types. Shrouds must be ordered separately. See pages 30-31 for circuit diagrams, connection kits and shrouds. The column "Needed quantity" tells how many pieces need to be ordered for each switch. The kits include the needed short circuit links/bars, screws and washers.

OTDCKIT400S11



Switches	Circuit type	Connection kit/ short circuit link		Recommended shroud	
		Type	Needed quantity	Type	Needed quantity
OTDC315...400EV12, OTDC315...400E12	5a, 5b	OTDCKIT400S101	1	OEZXY97	1
OTDC315...400E33	7b, 7g	OTDCKIT400S11	2	OTDCS400G2B	2

OTDC100...800 ordering information

Front operated disconnect switches, UL

OTDC250...400U12



Single circuit, 1500 VDC, UL98B¹⁾ - 250...400 A

Shafts and handles are not included. Switches with direct mount handle (OTDC_K, e.g. OTDC250U12K) are available. Phase barriers included if mandatory. Included terminal bolts:

- OTD315...400: M10x30
- OTDC500: M12x40

Number of poles	Rated operat. current [A] UL98B / 1000 V	Type	Order number	Weight/unit [kg]	Recommended handle
					Direct mount (K)
Mechanism between the poles					
3	250	OTDC250U12	1SCA135619R1001	4.7	OTDV400EK
3	320	OTDC320U12	1SCA135791R1001	4.7	
3	400	OTDC400U12	1SCA135792R1001	4.7	

OTDCKIT400S101



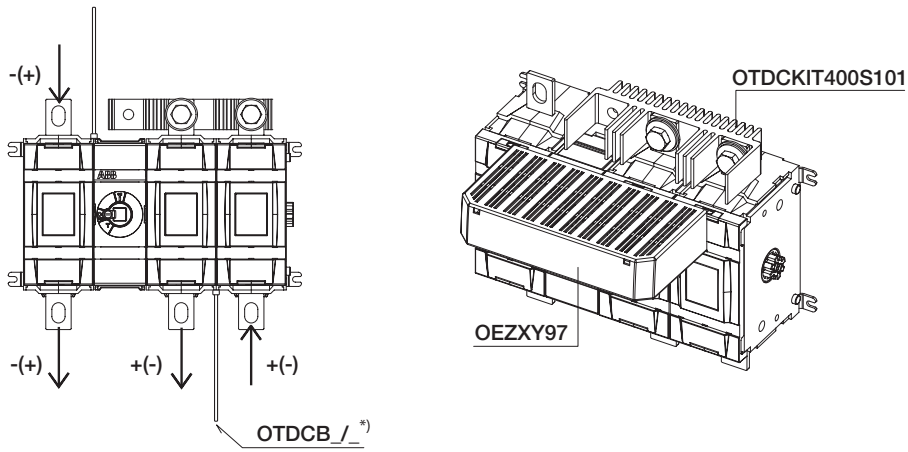
Connection kits and shrouds

See pages 30-31 for circuit diagrams, connection kits and shrouds. The column "Needed quantity" tells how many pieces need to be ordered for each switch. The kits include the needed short circuit links, screws and washers.

Switches	Circuit type	Connection kit/ short circuit link		Recommended shroud	
		Type	Needed quantity	Type	Needed quantity
OTDC250...400U12	5a, 5b, 5e	OTDCKIT400S101	1	OEZXY97	1
OTDC250...400U12	5c, 5d	OTDCKIT400S101	2	OEZXY97	2

¹⁾ Tested as per UL98B 1000 VDC requirements, 1500 VDC standard has not been published yet

Circuit 5a, 5b, 5e, 1500 VDC

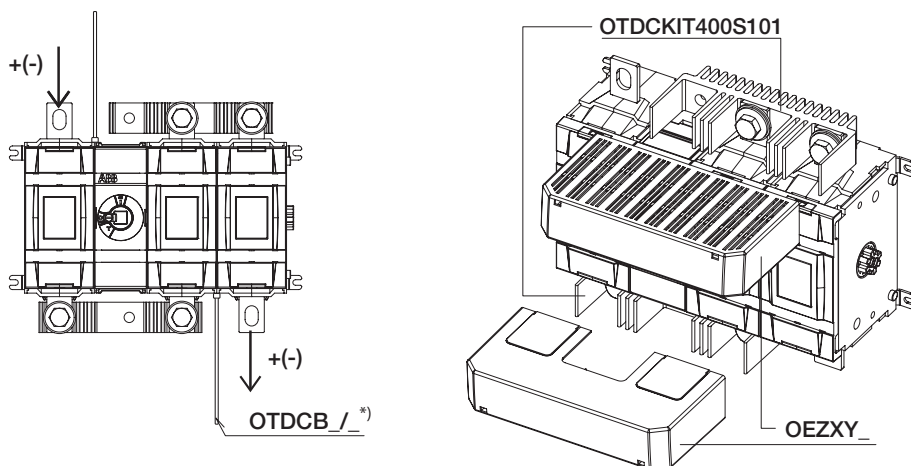


Circuit 5a, 5b, 5e

Accessories for OTDC315...500E, OTDC250...400U

Description	Type	Order number	Needed quantity
Needed short circuit link -KIT	OTDCKIT400S101	1SCA136280R1001	1
Recommended shroud	OEZXY97	1SCA130816R1001	1

Circuit 5c, 5d, 1500 VDC



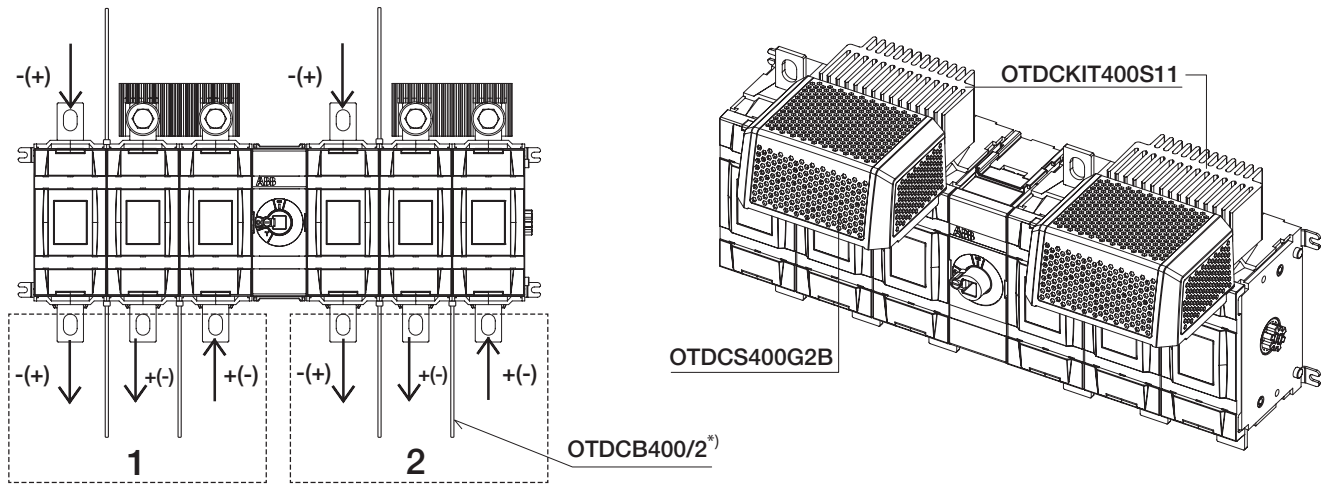
Circuit 5c, 5d

Accessories for OTDC250...400U

Description	Type	Order number	Needed quantity
Needed short circuit link -KIT	OTDCKIT400S101	1SCA136280R1001	2
Recommended shroud	OEZXY_	1SCA130816R1001	2

* OTDCB_ / _ phase barrier(s) included if mandatory

Circuit 7b, 7g, 1500 VDC



Circuit 7b, 7g

Accessories for OTDC315...500E

Description	Type	Order number	Needed quantity
Needed short circuit link -KIT	OTDCKIT400S11	1SCA136281R1001	2
Recommended shroud	OTDCS400G2B	1SCA136274R1001	2

* OTDCB_/_ phase barrier(s) included if mandatory

OTDC100...800 ordering information

Side operated disconnect switches, UL

OTDC100...200U20S



Single circuit, 1000 VDC, UL98B - 100...400 A

Shafts and handles are not included. OTDC_US types include pre-mounted short circuit link. The mechanism is located at the end of the switch. Included terminal bolts:

- OTDC100...200: M8x25
- OTDC250...320: M10x30
- OTDC400: M12x40

OTDC100...200US20S



OTDC250...400U20S



Number of poles	Rated operat. current [A] UL98B / 1000 V	Type	Order number	Weight/unit [kg]	Recommended handle	
					Direct mount (K)	External (P)+ shaft
Single circuit						
2	100	OTDC100US20S	1SCA131541R1001	1.7		OHB65JE005
2	200	OTDC200US20S	1SCA131549R1001	1.7		+ shaft OXP6X210
2	100	OTDC100U20S	1SCA131540R1001	1.3		OHB65JE005
2	200	OTDC200U20S	1SCA131548R1001	1.5		+ shaft OXP6X210
2	250	OTDC250US20S	1SCA135730R1001	4.4	OTDV400ESK	OHB145J12E00S + shaft OXP12x185
2	320	OTDC320US20S	1SCA135734R1001	4.4		
2	400	OTDC400US20S	1SCA135726R1001	4.4		
2	250	OTDC250U20S	1SCA135729R1001	3.8	OTDV400ESK	OHB145J12E00S + shaft OXP12x185
2	320	OTDC320U20S	1SCA135733R1001	3.8		
2	400	OTDC400U20S	1SCA135725R1001	3.8		

OTDCKIT400S101



Connection kits and shrouds

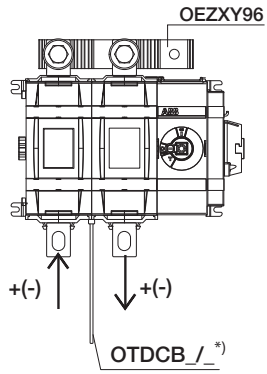
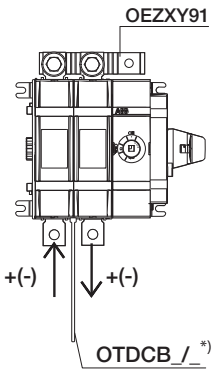
Pre-mounted short circuit links/connection bars are included for all OTDC_US types. Shrouds must be ordered separately. See page 33 for circuit diagrams, connection kits and shrouds. The column "Needed quantity" tells how many pieces need to be ordered for each switch. The kits include the needed short circuit links/bars, screws and washers.

Switches	Circuit type	Connection kit/ short circuit link		Recommended shroud	
		Type	Needed quantity	Type	Needed quantity
OTDC100...200US20S	1a	-	-	0EZXY92	1
OTDC100...200U20S	2a, 2b	-	-	-	-
OTDC250...400US20S	1a	-	-	0EZXY97	1
OTDC250...400U20S	1a	OTDCKIT400S101	1	0EZXY97	1
OTDC250...400U20S	2a, 2b	-	-	-	-

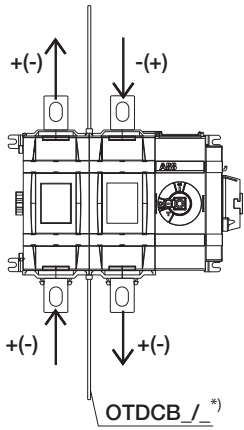
Circuit 1a, 1000 VDC

OTDC100...200U_S

OTDC250...400U_S



Circuit 2a, 2b, 1000 VDC



^{*)} OTDCB/_ phase barrier(s) included if mandatory

OTDC16...32 ordering information

Accessories

OHBS11



Handle knobs for base and DIN rail mounted switches

Mounting directly to the switch, no shaft needed, for base and DIN-rail mounted switches
Padlockable with one padlock with bail diameter 5 mm, see the table below.

OHR21



OHR31



Colour	Handle length [mm]	Type	Order number
Suitable for switches OTDC16...32F			
Black	31	OHBS1	1SCA109087R1001
Black	31	OHBS1/1	1SCA109088R1001
Red	31	OHR21	1SCA109095R1001
Red	31	OHR21/1	1SCA109096R1001
Suitable for switches OTDC16...32F			
Black	40	OHBS2	1SCA109089R1001
Black	40	OHBS2/1	1SCA109090R1001
Red	40	OHR31	1SCA108598R1001
Red	40	OHR31/1	1SCA108599R1001
Black	39	OHBS3	1SCA108320R1001
Black	39	OHBS3/1	1SCA108319R1001
Red	39	OHR33	1SCA108667R1001
Red	39	OHR33/1	1SCA108688R1001

Special information for handle knobs

Handle type	Padlockable	Shaft through the handle	45 mm cut-out enable*
OHBS1_, OHR21_	No	No	Yes
OHBS2_, OHR31_	Yes	No	Yes
OHBS3_, OHR33_	No	No	Yes

* In I-position the handle shall remain within the cut-out height

OTDC16...32 ordering information

Accessories

OHBS3PH



OHBS2PJ



OHYS3RH



OHYS2RJ



Selector handles, for door mounted switches

Indication I-O and ON-OFF. No separate shaft needed.

Colour	Type	Order number
Snap-on mounting, door drilling 22,5 mm, for OTDC16...32FT		
No padlocking, IP54, NEMA 1		
Black	OHBS1PH	1SCA105211R1001
Red-yellow	OHYS1PH	1SCA105294R1001
Silver	OHSS1PH	1SCA105276R1001
Grey	OHGS1PH	1SCA105263R1001
Padlockable with one padlock, IP54, NEMA 1		
Black	OHBS3PH	1SCA105236R1001
Red-yellow	OHYS3PH	1SCA105327R1001
Silver	OHSS3PH	1SCA105285R1001
Grey	OHGS3PH	1SCA105272R1001
Padlockable with max. 3 padlocks, IP65, NEMA 1, 3R, 12		
Black	OHBS2PJ	1SCA105231R1001
Red-yellow	OHYS2PJ	1SCA105322R1001
Silver	OHSS2PJ	1SCA105280R1001
Grey	OHGS2PJ	1SCA105268R1001
Screw mounting, hole distance 36 mm, for OTDC16...32FT		
No padlocking, IP54, NEMA 1		
Black	OHBS1RH	1SCA105212R1001
Red-yellow	OHYS1RH	1SCA105295R1001
Silver	OHSS1RH	1SCA105277R1001
Grey	OHGS1RH	1SCA105264R1001
Padlockable with one padlock, IP54, NEMA 1		
Black	OHBS3RH	1SCA105237R1001
Red-yellow	OHYS3RH	1SCA105328R1001
Silver	OHSS3RH	1SCA105286R1001
Grey	OHGS3RH	1SCA105273R1001
Padlockable with max. 3 padlocks, IP65, hole distance 36/48 mm, NEMA 1, 3R, 12		
Black	OHBS2RJ	1SCA105232R1001
Red-yellow	OHYS2RJ	1SCA105323R1001
Silver	OHSS2RJ	1SCA105281R1001
Grey	OHGS2RJ	1SCA105269R1001

OTDC16...32 ordering information

Accessories

OHBS3



Selector handles for base and DIN-rail mounted switches

Indication I-O and ON-OFF, for shaft diameter 6 mm, door drilling 22.5 mm.

Colour	Type	Order number
--------	------	--------------

IP 54 handles, NEMA 1, suitable for switches OTDC16...32F

Black	OHBS1AH	1SCA102680R1001
Yellow-red	OHYS1AH	1SCA105290R1001
Silver	OHSS1AH	1SCA105274R1001
Grey	OHGS1AH	1SCA105261R1001

Door interlock in ON-position.

Black	OHBS1AH1	1SCA105210R1001
Yellow-red	OHYS1AH1	1SCA105291R1001
Silver	OHSS1AH1	1SCA105275R1001
Grey	OHGS1AH1	1SCA105262R1001

Padlockable with one padlock with bail diameter 5...6.3 mm.

Black	OHBS3AH	1SCA105234R1001
Yellow-red	OHYS3AH	1SCA105325R1001
Silver	OHSS3AH	1SCA105283R1001
Grey	OHGS3AH	1SCA105270R1001

Padlockable with one padlock with bail diameter 5...6.3 mm, door interlock in ON-position.

Black	OHBS3AH1	1SCA105235R1001
Yellow-red	OHYS3AH1	1SCA105326R1001
Silver	OHSS3AH1	1SCA105284R1001
Grey	OHGS3AH1	1SCA105271R1001

IP 65 handles, NEMA 1, 3R, 12, suitable for switches OTDC16...32F

Padlockable with max. 3 padlocks with bail diameter 5...8 mm, door interlock in ON-position, defeatable.

Black	OHBS2AJ	1SCA105213R1001
Yellow-red	OHYS2AJ	1SCA105296R1001
Silver	OHSS2AJ	1SCA105278R1001
Grey	OHGS2AJ	1SCA105265R1001

Padlockable with max. 3 padlocks with bail diameter 5...8 mm, door interlock in ON-position.

Black	OHBS2AJ1	1SCA105215R1001
Yellow-red	OHYS2AJ1	1SCA105297R1001
Silver	OHSS2AJ1	1SCA105279R1001
Grey	OHGS2AJ1	1SCA105266R1001

Selector type handle with metal hasp

IP65 handles, NEMA 1, 3R, 12, suitable for switches OTDC16...32F

Padlockable with max. 3 padlocks, door interlock in the ON-position, defeatable.

Black	OHBS2AJEH	1SCA108230R1001
-------	-----------	-----------------

OHYS3



OHBS2



OTDC16...32 ordering information

Accessories

OXS6X_



Extended shafts for selector handles

Shaft length [mm]	H [mm]	Type	Order number	Weight/unit [kg]
Suitable for switches OTDC16...32F, shaft diameter 6 mm				
85	See	OXS6X85	1SCA101647R1001	0.02
105	dimension	OXS6X105	1SCA108043R1001	0.02
120	drawings	OXS6X120	1SCA101654R1001	0.03
130		OXS6X130	1SCA101655R1001	0.03
160		OXS6X160	1SCA101656R1001	0.04
180		OXS6X180	1SCA101659R1001	0.04
250		OXS6X250	1SCA101660R1001	

OTDC100...800 ordering information

Accessories

OHY_



OHB_



Pistol handles

OH_ handles for front operation: IP 65, NEMA 1,3R, 12

Padlockable with three padlocks in OFF-position, door interlock in ON-position. Screw fixing from the back side of the handle ensures double insulation.

Colour	Handle length [mm]	Suitable for switches	Type	Order number	Weight/unit [kg]
For shaft diameter 6 mm, indication in types OHB and OHY: I-O, ON-OFF, in types OHG: I-O.					
Black	65	OTDC100...250E_, OTDC100...200U_	OHB65J6	1SCA022380R9660	0.12
Yellow-red	65	OTDC100...250E_, OTDC100...200U_	OHY65J6	1SCA022380R9820	0.12
Grey	65	OTDC100...250E_, OTDC100...200U_	OHG65J6	1SCA022380R9740	0.12
Black	80	OTDC100...250E_, OTDC100...200U_	OHB80J6	1SCA022381R0240	0.14
Yellow-red	80	OTDC100...250E_, OTDC100...200U_	OHY80J6	1SCA022381R0410	0.14
Grey	80	OTDC100...250E_, OTDC100...200U_	OHG80J6	1SCA022381R0320	0.14
For shaft diameter 6 mm, indication: Test-OFF-ON/Test-0-I					
Black	65	OTDC100...250E_, OTDC100...200U_	OHB65J6T	1SCA022399R8110	0.12
Yellow-red	65	OTDC100...250E_, OTDC100...200U_	OHY65J6T	1SCA022456R9540	0.12
For shaft diameter 12 mm, indication OHB and OHY: I-O, ON-OFF, in types OHG: I-O					
Black	95	OTDC315...800E, OTDC250...600U_	OHB95J12	1SCA022381R0830	0.16
Yellow-red	95	OTDC315...800E, OTDC250...600U_	OHY95J12	1SCA022381R1050	0.16
Grey	95	OTDC315...800E, OTDC250...600U_	OHG95J12	1SCA022381R0910	0.16
Black	125	OTDC315...800E, OTDC250...600U_	OHB125J12	1SCA022381R1560	0.17
Yellow-red	125	OTDC315...800E, OTDC250...600U_	OHY125J12	1SCA022381R1720	0.17
Grey	125	OTDC315...800E, OTDC250...600U_	OHG125J12	1SCA022381R1640	0.17
Black	145	OTDC315...800E, OTDC250...600U_	OHB145J12	1SCA022381R2110	0.17
For shaft diameter 12 mm, indication: Test-OFF-ON/Test-0-I					
Black	95	OTDC315...800E, OTDC250...600U_	OHB95J12T	1SCA022736R1750	0.16
Yellow-red	95	OTDC315...800E, OTDC250...600U_	OHY95J12T	1SCA022736R1910	0.16
Black	125	OTDC315...800E, OTDC250...600U_	OHB125J12T	1SCA022652R2220	0.16
Yellow-red	125	OTDC315...800E, OTDC250...600U_	OHY125J12T	1SCA022652R2310	0.16

Door interlocking in ON-position means that the door cannot be opened when the handle is in ON-position. This can be defeated in IP65 types to allow authorized personnel access for inspection. NEMA 4, 4x pistol handles available on request. Handles padlockable in all positions available on request.

OH_ handles for side operation: IP 65, NEMA 1,3R, 12

For mounting on the side of the enclosure. Padlockable with three padlocks in the OFF-position, door interlock in the ON-position, IP 65. The position indications are rotated 90°.

Colour	Handle length [mm]	Suitable for switches	Type	Order number	Weight/unit [kg]
Side operation: for shaft diameter 6 mm, indication in types OHB and OHY: I-O, ON-OFF, in types OHG: I-O.					
Plastic handles					
Black	65	OTDC100...200U_S	OHB65J6E00S	1SCA022382R9850	0.12
Red-yellow	65	OTDC100...200U_S	OHY65J6E00S	1SCA022382R9930	0.12
Grey	65	OTDC100...200U_S	OHG65J6E00S	1SCA022383R4510	0.12
Side operation: for shaft diameter 6 mm, indication: Test/I-O/ON-OFF, grey: Test/I-O					
Black	65	OTDC100...200U_S	OHB65J6TE00S	1SCA109016R1001	0.12
Red-yellow	65	OTDC100...200U_S	OHY65J6TE00S	1SCA022688R0140	0.12
Grey	65	OTDC100...200U_S	OHG65J6TE00S	1SCA109014R1001	0.12
Side operation: for shaft diameter 12 mm, indication I-O/ON-OFF					
Plastic handles					
Black	145	OTDC250...400U_S	OHB145J12E00S	1SCA022679R9700	0.17

OTDC100...800 ordering information

Accessories

OT_V_



Direct mount handles

Colour	Handle length [mm]	Suitable for switches	Type	Order number	Weight/unit [kg]
Indication Test-OFF-ON/Test-O-I.					
Padlockable with three padlocks in OFF-position. Includes shaft and mechanism cover.					
Black	65	OTDC100...250E_, OTDC100...200U_ ²⁾	OTDV250EK	1SCA127390R1001	0.10
Red-yellow	65	OTDC100...250E_, OTDC100...200U_ ²⁾	OTDVY250EK	1SCA127391R1001	0.10
Black	95	OTDC315...800E, OTDC250...600U_ ²⁾	OTDV400EK	1SCA130579R1001	0.3
Black	145	OTDC315...800E, OTDC250...600U_ ²⁾	OTDV500EK ⁴⁾	1SCA135915R1001	0.65
Black	145	OTDC315...800E, OTDC250...600U_ ²⁾	OTDV400EK2	1SCA137301R1001	0.65
Black	95	OTDC250...400U_S ³⁾	OTDV400ESK	1SCA136041R1001	0.1

²⁾ Valid only for front-operated switches

³⁾ Valid only for side-operated switches

⁴⁾ Handle lifted up with a higher mechanism cover, recommended for use with long terminal shrouds (OTDC400_L_)

OXp6X_



Extended shafts for pistol handles

Shaft length [mm]	H [mm]		Type	Order number	Weight/unit [kg]

For pistol type handles

Suitable for switches OTDC100...250E_, OTDC100...200U_, shaft diameter 6 mm ¹⁾

130	109...174		OXp6X130	1SCA022057R0570	0.04
150	129...194		OXp6X150	1SCA022295R5600	0.05
161	140...205		OXp6X161	1SCA022067R1760	0.05
210	189...254		OXp6X210	1SCA022295R6080	0.06
290	269...334		OXp6X290	1SCA022042R6370	0.08

¹⁾ Longer shafts on request

OTDC100...800 ordering information

Accessories

OXF12X185



Extended shafts for pistol handles

Shaft length [mm]	H [mm]		Type	Order number	Weight/unit [kg]
-------------------	--------	---	------	--------------	------------------

For pistol type handles

Suitable for switches OTDC315...800E, OTDC250...600U_, shaft diameter 12 mm

166	146...226		OXF12X166	1SCA022325R7100	0.2
185	165...245		OXF12X185	1SCA022325R6710	0.2
250	230...310		OXF12X250	1SCA022325R6980	0.28
280	260...340		OXF12X280	1SCA022137R5140	0.3
325	305...385		OXF12X325	1SCA022042R5810	0.36
395	445...525		OXF12X395	1SCA022042R5990	0.43
465	439...519		OXF12X465	1SCA022042R6020	0.51
535	515...595		OXF12X535	1SCA022042R6110	0.59

OXF6X150



OTDC100...800 ordering information

Accessories

OTDCB_



Phase separators

Grey plastic plate for maintaining 1" clearance between the phases without terminal shrouds. Snap-on mounting. Included as standard in OTDC100...600U_ or OTDC100...800E if use mandatory.

Suitable for switches	Type	Order number	Units/type	Weight/unit [kg]
OTDC100...250E_, OTDC100...200U_	OTDCB250/6	1SCA125532R1001	6	
OTDC315...800E, OTDC250...600U_	OTDCB400/2	1SCA132183R1001	2	

OEZKL10/4



Mounting feet

Higher (10 mm) optional mounting feet to lift the switch up from the mounting base. The delivery includes 4 mounting feet and screws.

Suitable for switches	Type	Order number	Weight/unit [kg]
OTDC315...800E, OTDC250...400U	OEZKL10/4	1SCA132180R1001	

OTDC100...800 ordering information

Accessories

OA1G10, OA3G01



Auxiliary contact blocks, IP20

Contact numbering according to EN 50013.
The type and the ordering numbers are for one piece.

Mounting on the left side of the switch or under the mechanism cover

Mounting on the left side of the switch:

Max. 8 auxiliary contact blocks with the OEA28 module.

Mounting under the mechanism cover:

OTDC100...250E, OTDC100...200U_: Max. 4 test contacts or 2 test contacts + 2 test indication contacts.¹⁾

OTDC315...800E, OTDC250...600U_: Max. 4 test contacts + 4 test indication contacts.¹⁾

The test contacts can be used as standard auxiliary contacts as well.

OEA28



Suitable for switches	Function	Type	Order number	Delivery batch [pcs] ²⁾	Weight/unit [kg]
OTDC100...800E, OTDC100...600U_	1N0	OA1G10	1SCA022353R4970	10	0.03
OTDC100...800E, OTDC100...600U_	1NC	OA3G01	1SCA022456R7410	10	0.03

Module for auxiliary contacts

Screw mounting to the left side of the switch.

Suitable for switches	Type	Order number	Delivery batch [pcs]	Weight/unit [kg]
OTDC100...800E, OTDC100...600U_	OEA28	1SCA022714R8810	1	0.04

¹⁾ Contact numbering:

(83) (43) (53) 13 21 (61) (31) (71)
(84) (44) (54) 14 22 (62) (32) (72)

²⁾ Auxiliary contacts OA1G_ are available in larger packing as well.

A bulk package includes 50 auxiliary contacts. Type number: add a suffix: /B, e.g. OA1G01/B.

Performance data according to IEC 60947-5-1

For OA1G_, OA3G_						
Ue/[V]	AC15		DC12		DC13	
	Ie/[A]	Ue/[V]	Ie/[A]	P/[W]	Ie/[A]	P/[W]
230	6	24	10	240	2	50
400	4	72	4	290	0.8	60
415	4	125	2	250	0.55	70
690	2	250	0.55	140	0.27	70
		440	0.1	44		

OTDC100...800 ordering information

Accessories

OEZXY91



Short circuit and connection bar kits

Refer to pages for circuit diagrams showing the possible connections and needed amounts of kits. The kits include the necessary mounting hardware.

OTDCKIT400S101



OTDCKIT400S11



Suitable for switches	Type	Order number	Weight/unit [kg]
OTDC100...250E_	OEZXY91	1SCA125290R1001	
OTDC315...500E, OTDC250...400U	OTDCKIT400S101	1SCA136280R1001	0.38
OTDC315...500E, OTDC250...400U	OTDCKIT400S11	1SCA136281R1001	0.54
OTDC315...500E, OTDC250...400U	OTDCKIT400B11	1SCA136282R1001	0.29
OTDC315...500E	OTDCKIT400B111	1SCA136284R1001	0.47
OTDC600UPP	OTDCKIT400B202	1SCA136285R1001	0.910
OTDC250...400US	OTDCKIT400B101	1SCA136283R1001	0.375

OTDCKIT400B11



OTDCKIT400B101



OTDCKIT400B111



OTDCKIT400B202



OTDC100...800 ordering information

Accessories

OTS250G1S



Terminal shrouds

The type and ordering numbers are for one piece.

OTS250G1L



Suitable for switches	Description	Type	Order number	Weight/unit [kg]
Grey				
OTDC100...250E, OTDC100...200US	short	OTDCS250G1S	1SCA125563R1001	0.01
OTDC315...500E, OTDC250...400US	short	OTDCS400G1S	1SCA132361R1001	0.05
OTDC315...500E, OTDC250...400US	long	OTDCS400G1L	1SCA132362R1001	0.1
Transparent				
OTDC100...250E, OTDC100...200US	short	OTDCS250T1S	1SCA125580R1001	0.01
OTDC315...500E, OTDC250...400US	short	OTDCS400T1S	1SCA132363R1001	0.05
OTDC315...500E, OTDC250...400US	long	OTDCS400T1L	1SCA132364R1001	0.1

OTDCS400G2B



Shrouds for short circuit links/connection bars

The type and ordering numbers are for one piece.

OEZXY97



Suitable for switches	Suitable for short circuit link/connection bar	Type	Order number	Weight/unit [kg]
Grey				
OTDC315...500E, OTDC250...400U	OTDCKIT400S11	OTDCS400G2B	1SCA136273R1001	
OTDC600USPP	OTDCKIT400B202	OTDCS250G4B	1SCA136274R1001	0.07
OTDC100...200US, OTDC100...250E	OEZXY91	OEZXY92	1SCA127382R1001	
OTDC315...500E, OTDC250...400U_	OTDCKIT400S101	OEZXY97	1SCA130816R1001	0.1
OTDC315...800E, OTDC250...600U_	OTDCKIT400B11	OTDCS400T2L	1SCA136275R1001	0.13
OTDC315...500E, OTDC250...400U	OTDCKIT400B101	OTDCS400T11L	1SCA136279R1001	
OTDC315...500E	OTDCKIT400B111	OTDCS400T3L	1SCA136276R1001	

OTDCS400T2L

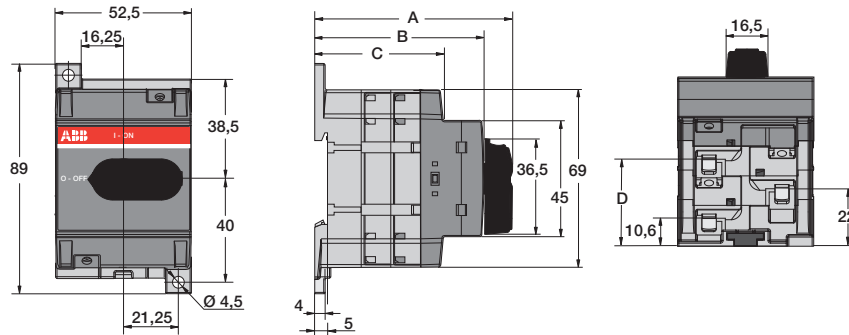


OTDCS400T11L



Dimension drawings Switch-disconnectors

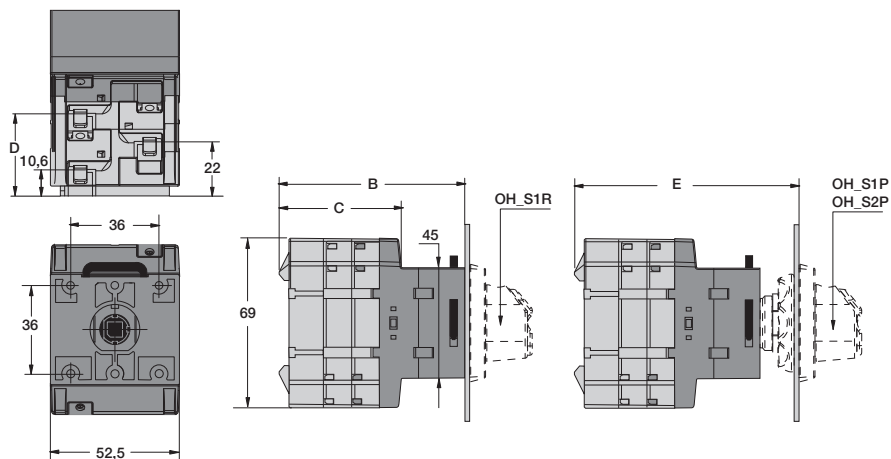
OTDC16...32F_, base or DIN-rail mounting (IEC)



S07151 / M00371 / OTDC16-32_ B

OTDC16...32F_				
Dimension [mm]				
Number of poles	A	B	C	D
2	66,2	54,1	38,3	22
3	77,6	65,5	49,7	33,4
4	89	76,9	61,1	44,8

OTDC16...32FT_, door mounting (IEC)

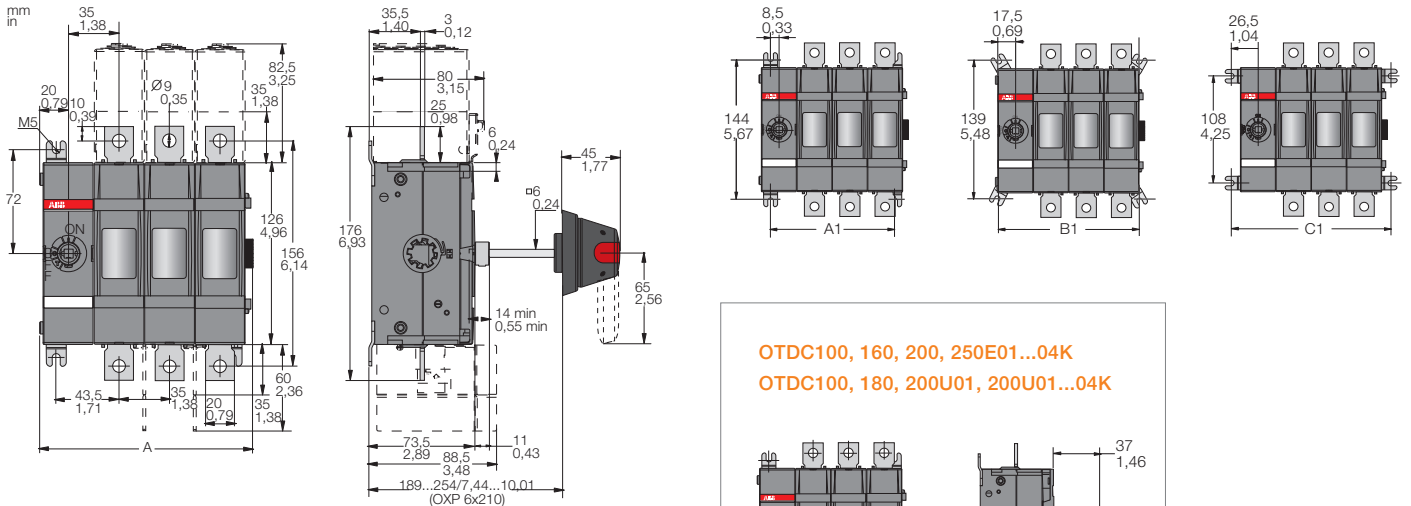


M00416/OTDC32FT-1 B

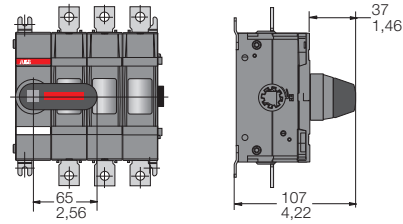
OTDC32FT_					
[mm]	B	C	D	E	
FT2	64,1	38,3	22	79,9	
FT3	75,5	49,7	33,4	91,3	
FT4	86,9	61,1	44,8	102,7	

Dimension drawings Switch-disconnectors

OTDC100...250E02, OTDC100...200U02 (IEC and UL)



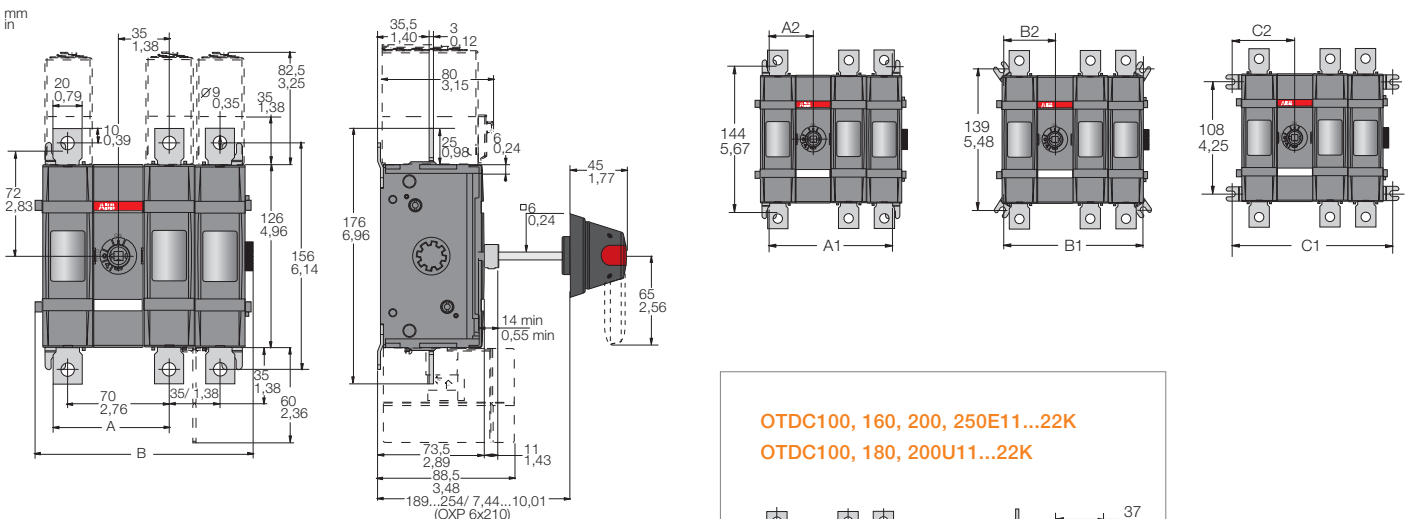
OTDC100, 160, 200, 250E01...04K
OTDC100, 180, 200U01, 200U01...04K



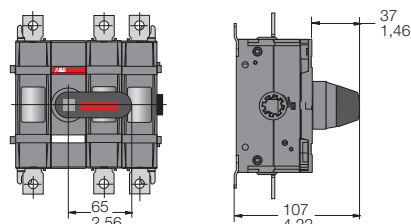
M00414/OTDC200-250E01-04 A

		OTDC100, 160, 200, 250E01...04			
		OTDC 100, 200U01...04			
[mm/in]		01	02	03	04
A		78/3,07	113/4,45	148/5,83	183/7,21
A1		52/2,05	87/3,43	122/4,81	157/6,18
B1		70/2,76	105/4,14	140/5,51	175/6,89
C1		88/3,46	123/4,85	158/6,22	193/7,6

OTDC100...250E11, OTDC100...200U11 (IEC and UL)



OTDC100, 160, 200, 250E11...22K
OTDC100, 180, 200U11...22K



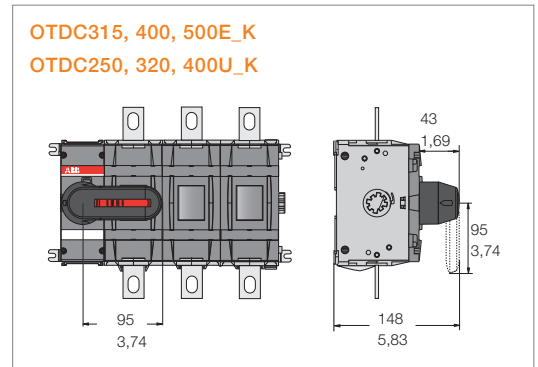
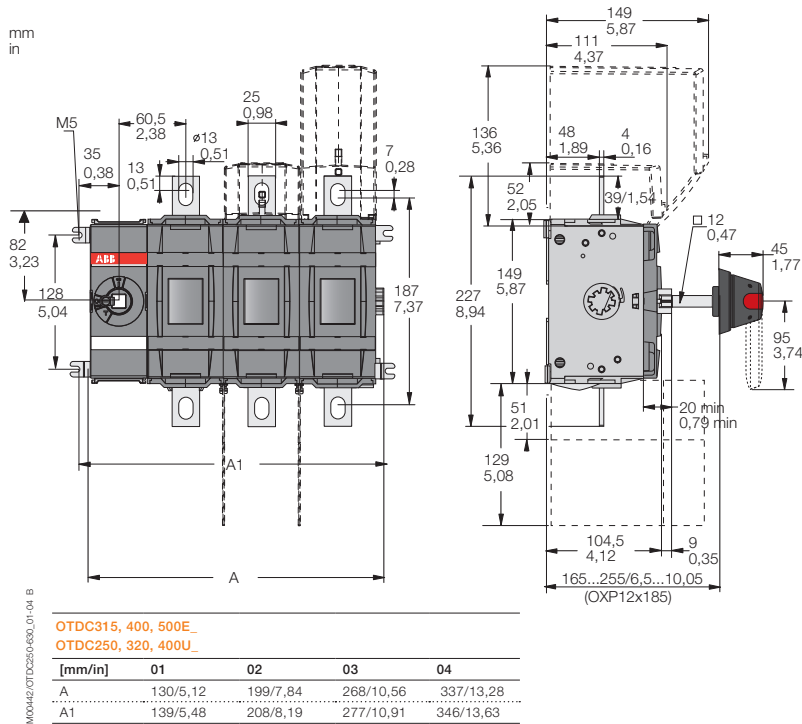
M00415/OTDC200-250E11-22 A

		OTDC100, 160, 200, 250E11...22			
		OTDC100, 200U11...22			
[mm/in]		11	12	13	22
A		80/3,15	80/3,15	80/3,15	115/4,53
B		115,5/4,55	150,5/5,93	185,5/7,31	185,5/7,31
A1		87/3,43	122/4,81	157/6,18	157/6,18
A2		43,5/1,71	43,5/1,71	43,5/1,71	78,5/3,09
B1		105/4,14	140/5,51	175/6,89	175/6,89
B2		52,5/2,07	52,5/2,07	52,5/2,07	87,5/3,44
C1		123/4,85	158/6,22	193/7,6	193/7,6
C2		61,5	61,5	61,5	96,5

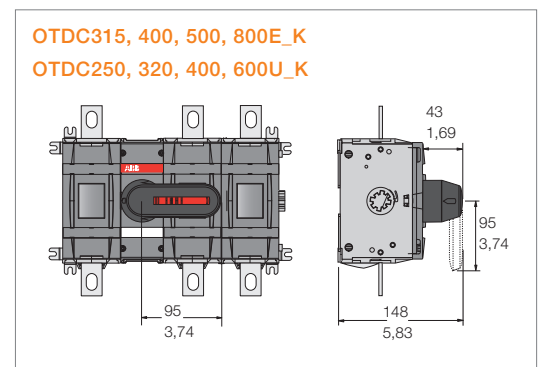
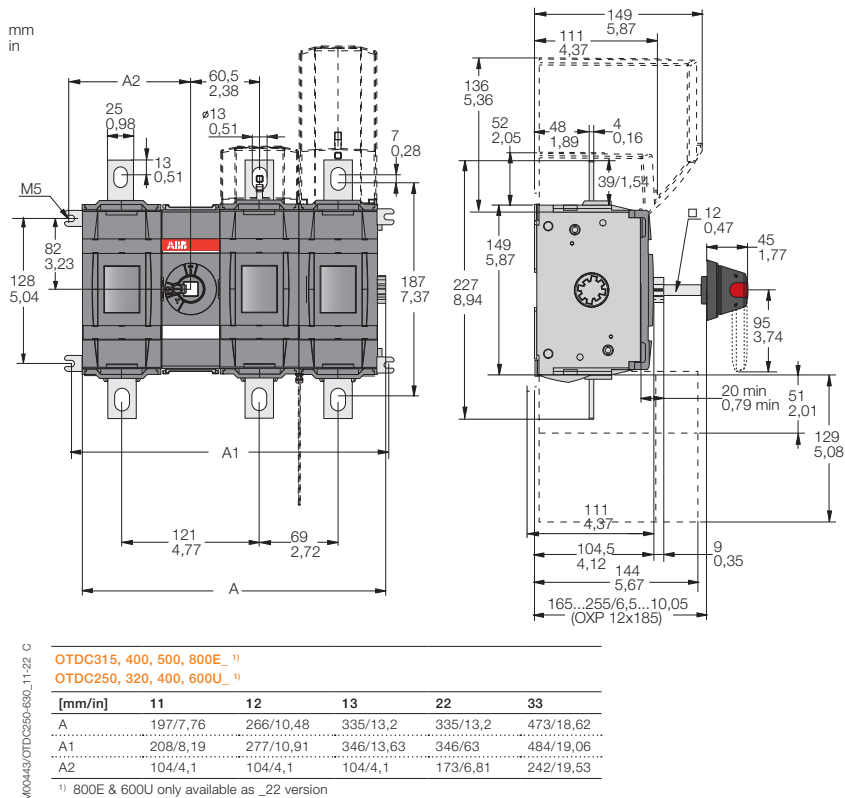
Dimension drawings

Switch-disconnectors

OTDC315/400/500E01-04, OTDC250/320/400U01-04 (IEC and UL)



OTDC315/400/500/800E11-33, OTDC250/320/400/600U11-33 (IEC and UL)

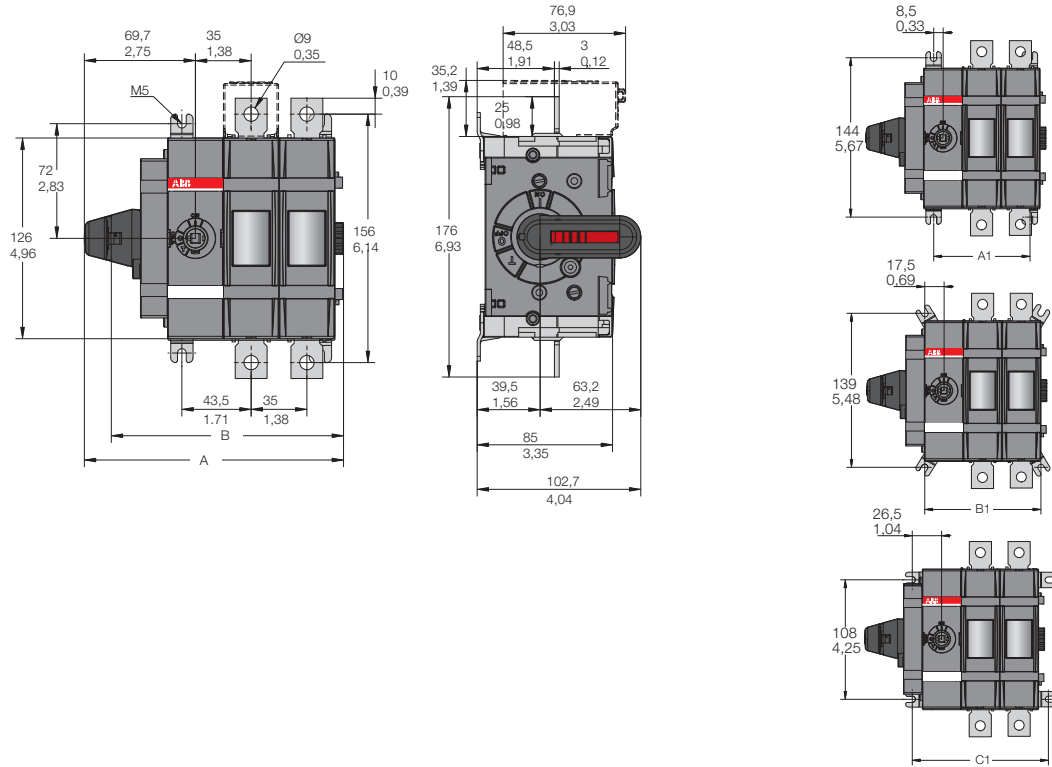


Dimension drawings

Side operated disconnect-switches

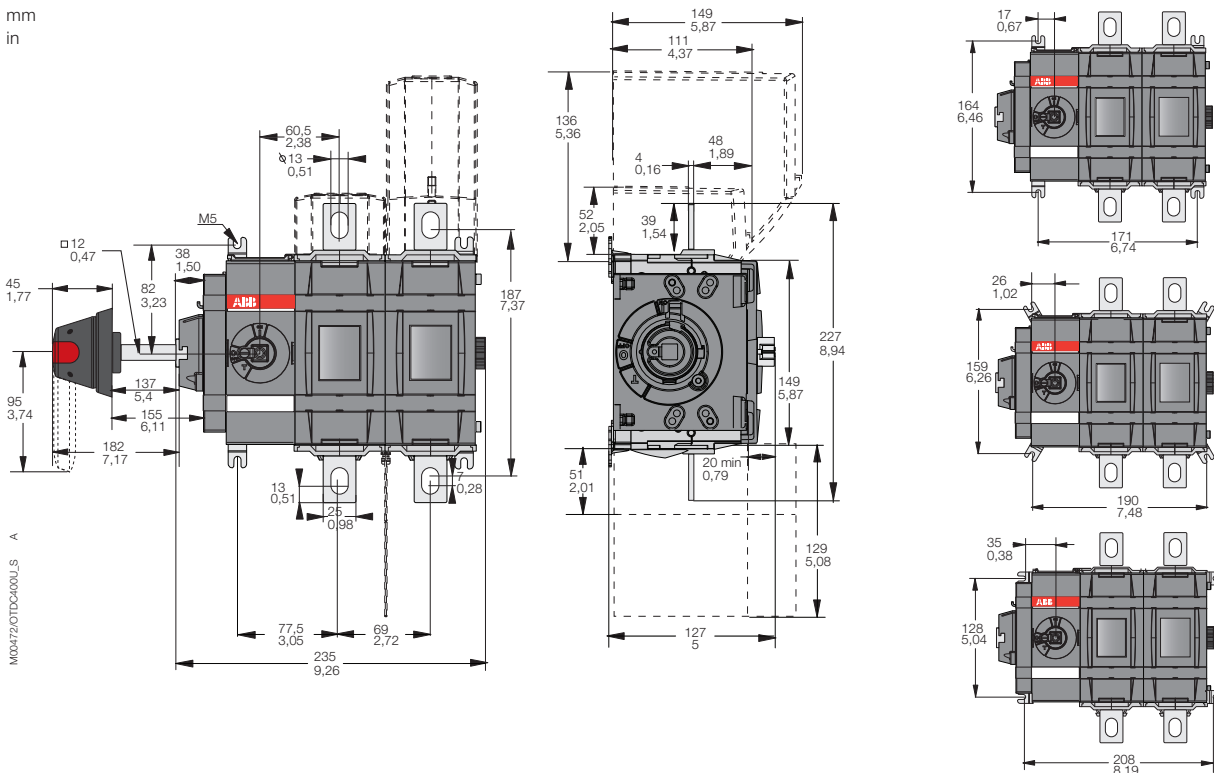
OTDC100/180/200U02-04S (UL)

mm
in



OTDC250/400U02S (UL)

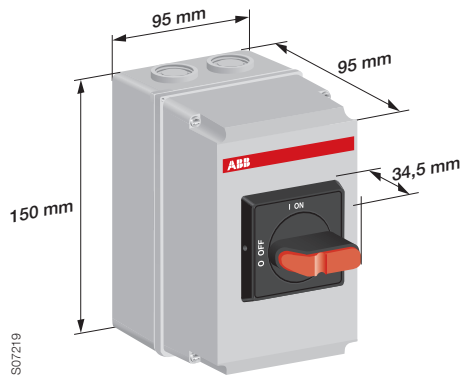
mm
in



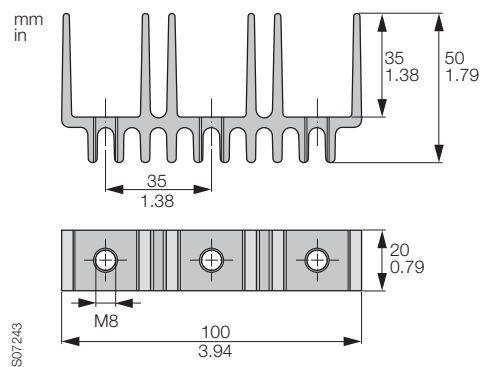
Dimension drawings

Enclosed switch-disconnectors, short circuit links

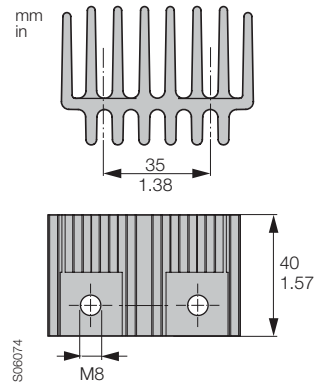
OTDCP16...32 (IEC)



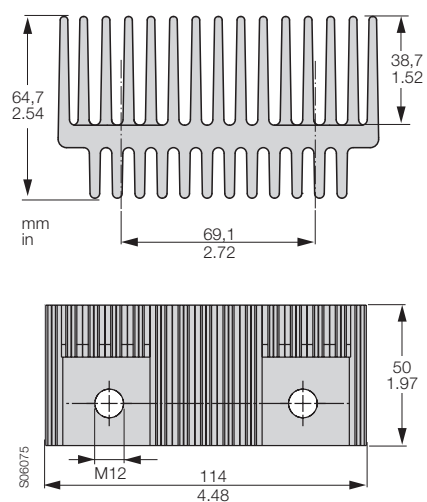
OEZXY91 (IEC and UL)



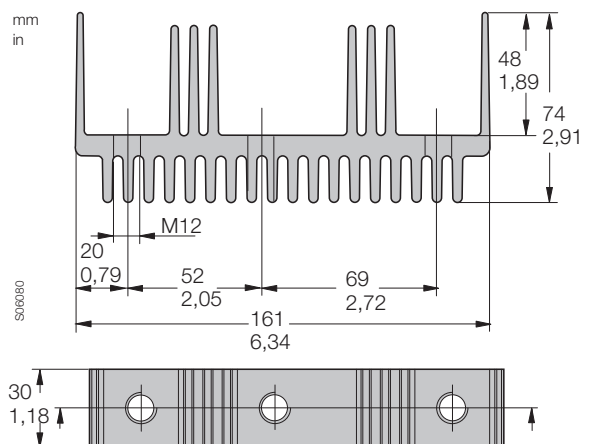
OEZXY99 (IEC and UL)



OTDCKIT400S11 (IEC and UL)



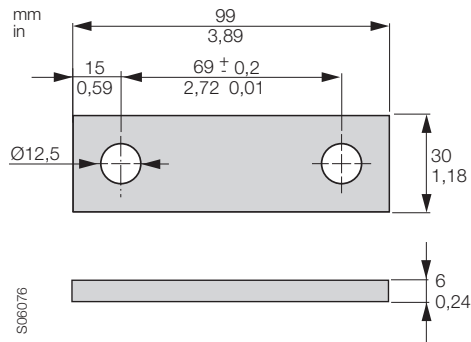
OTDCKIT400S101 (IEC and UL)



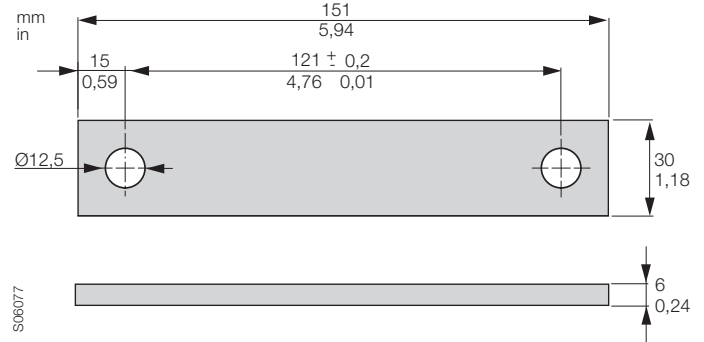
Dimension drawings

Connection bars

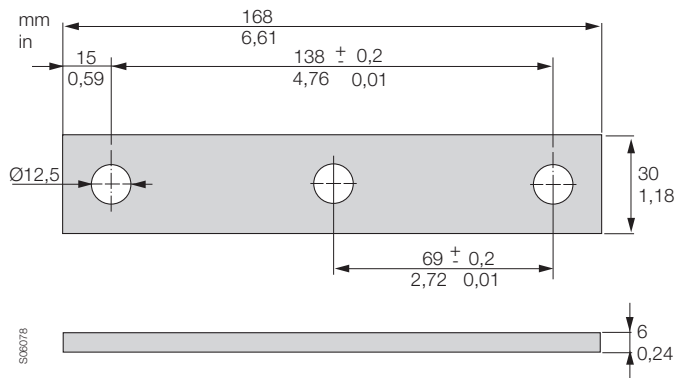
OTDCKIT400B11 (IEC and UL)



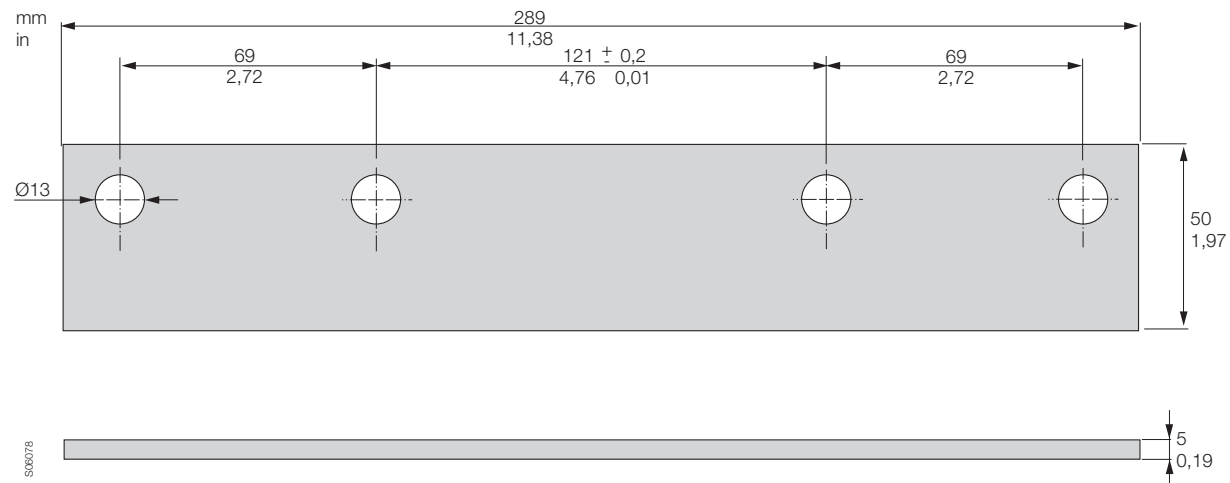
OTDCKIT400B101 (IEC and UL)



OTDCKIT400B111 (IEC and UL)



OTDCKIT400B202 (IEC and UL)



Index

Type	Order number	Description	Page
OA1G10	1SCA022353R4970	Auxiliary contact block	42
OA3G01	1SCA022456R7410	Auxiliary contact block	42
QEA28	1SCA022714R8810	Module for auxiliary contact	42
OEZKL10/4	1SCA132180R1001	Mounting feet	41
OEZXY91	1SCA125290R1001	Short circuit and connection bar kits	43
OEZXY92	1SCA127382R1001	Shrouds for short circuit links/ connection bars	44
OEZXY97	1SCA130816R1001	Shrouds for short circuit links/ connection bars	44
OHB125J12	1SCA022381R1560	Handle	38
OHB125J12T	1SCA022652R2220	Handle	38
OHB145J12	1SCA022381R2110	Handle	38
OHB65J6	1SCA022380R9660	Handle	38
OHB65J6T	1SCA022399R8110	Handle	38
OHB80J6	1SCA022381R0240	Handle	38
OHB95J12	1SCA022381R0830	Handle	38
OHB95J12T	1SCA022736R1750	Handle	38
OHBS1PH	1SCA105211R1001	Handle	35
OHBS1RH	1SCA105212R1001	Handle	35
OHBS2PJ	1SCA105231R1001	Handle	35
OHBS2RJ	1SCA105232R1001	Handle	35
OHBS3/1	1SCA108319R1001	Handle knob	34
OHBS3PH	1SCA105236R1001	Handle	35
OHBS3RH	1SCA105237R1001	Handle	35
OHG125J12	1SCA022381R1640	Handle	38
OHG65J6	1SCA022380R9740	Handle	38
OHG80J6	1SCA022381R0320	Handle	38
OHG95J12	1SCA022381R0910	Handle	38
OHGS1PH	1SCA105263R1001	Handle	35
OHGS1RH	1SCA105264R1001	Handle	35
OHGS2PJ	1SCA105268R1001	Handle	35
OHGS3PH	1SCA105272R1001	Handle	35
OHGS3RH	1SCA105273R1001	Handle	35
OHRS3	1SCA108667R1001	Handle knob	34
OHRS3/1	1SCA108688R1001	Handle knob	34
OHSS1PH	1SCA105276R1001	Handle	35
OHSS1RH	1SCA105277R1001	Handle	35
OHSS2PJ	1SCA105280R1001	Handle	35
OHSS3PH	1SCA105285R1001	Handle	35
OHSS3RH	1SCA105286R1001	Handle	35
OHY125J12	1SCA022381R1720	Handle	38
OHY65J6	1SCA022380R9820	Handle	38
OHY65J6T	1SCA022456R9540	Handle	38
OHY80J6	1SCA022381R0410	Handle	38
OHY95J12	1SCA022381R1050	Handle	38
OHY95J12T	1SCA022736R1910	Handle	38
OHYS1PH	1SCA105294R1001	Handle	35
OHYS1RH	1SCA105295R1001	Handle	35
OHYS2PJ	1SCA105322R1001	Handle	35
OHYS3PH	1SCA105327R1001	Handle	35
OHYS3RH	1SCA105328R1001	Handle	35
OTDC100E02	1SCA125822R1001	DC switch-disconnector	18
OTDC100E22	1SCA125824R1001	DC switch-disconnector	22
OTDC100U22	1SCA126180R1001	DC disconnect switch	23
OTDC100US22	1SCA126181R1001	DC disconnect switch	23
OTDC160E02	1SCA125840R1001	DC switch-disconnector	18
OTDC160E22	1SCA125844R1001	DC switch-disconnector	22

Type	Order number	Description	Page
OTDC16F2	1SCA121454R1001	DC switch-disconnector	12
OTDC16F2	1SCA121454R1001	DC switch-disconnector	12
OTDC16F3	1SCA121457R1001	DC switch-disconnector	12
OTDC16F4	1SCA121461R1001	DC switch-disconnector	12
OTDC16U2	1SCA134369R1001	DC switch-disconnector	13
OTDC16U4	1SCA134370R1001	DC switch-disconnector	13
OTDC16U6	1SCA134371R1001	DC switch-disconnector	13
OTDC16US2	1SCA134372R1001	DC switch-disconnector	13
OTDC16US4	1SCA134373R1001	DC switch-disconnector	13
OTDC180U22	1SCA126941R1001	DC disconnect switch	23
OTDC180US22	1SCA126942R1001	DC disconnect switch	23
OTDC200E02	1SCA123687R1001	DC switch-disconnector	18
OTDC200E22	1SCA125856R1001	DC switch-disconnector	22
OTDC250E02	1SCA125866R1001	DC switch-disconnector	18
OTDC250E22	1SCA125869R1001	DC switch-disconnector	22
OTDC250U11	1SCA130985R1001	DC disconnect switch	19
OTDC250U22	1SCA131003R1001	DC disconnect switch	23
OTDC250US22	1SCA131030R1001	DC disconnect switch	23
OTDC25F2	1SCA121455R1001	DC switch-disconnector	12
OTDC25F2	1SCA121455R1001	DC switch-disconnector	12
OTDC25F3	1SCA121458R1001	DC switch-disconnector	12
OTDC25F4	1SCA121462R1001	DC switch-disconnector	12
OTDC25U2	1SCA134375R1001	DC switch-disconnector	13
OTDC25U4	1SCA134377R1001	DC switch-disconnector	13
OTDC25US2	1SCA134378R1001	DC switch-disconnector	13
OTDC25US4	1SCA134379R1001	DC switch-disconnector	13
OTDC315E22	1SCA131001R1001	DC switch-disconnector	22
OTDC315E33	1SCA137230R1001	DC switch-disconnector	26
OTDC320U11	1SCA130986R1001	DC disconnect switch	19
OTDC320U22	1SCA131006R1001	DC disconnect switch	23
OTDC320US22	1SCA131032R1001	DC disconnect switch	23
OTDC32F2	1SCA121456R1001	DC switch-disconnector	12
OTDC32F2	1SCA121456R1001	DC switch-disconnector	12
OTDC32F3	1SCA121459R1001	DC switch-disconnector	12
OTDC32F4	1SCA121463R1001	DC switch-disconnector	12
OTDC32U4	1SCA136703R1001	DC switch-disconnector	13
OTDC32US4	1SCA136704R1001	DC switch-disconnector	13
OTDC400E22	1SCA131036R1001	DC switch-disconnector	22
OTDC400E33	1SCA137231R1001	DC switch-disconnector	26
OTDC400U11	1SCA130990R1001	DC disconnect switch	19
OTDC400U22	1SCA131010R1001	DC disconnect switch	23
OTDC400US22	1SCA132300R1001	DC disconnect switch	23
OTDC500E22	1SCA132142R1001	DC switch-disconnector	22
OTDC600UPP22	1SCA137207R1001	DC disconnect switch	19
OTDC600USPP22	1SCA137213R1001	DC disconnect switch	19
OTDCKIT400B101	1SCA136283R1001	Short circuit and connection bar kits	43
OTDCKIT400B11	1SCA136282R1001	Short circuit and connection bar kits	43
OTDCKIT400B111	1SCA136284R1001	Short circuit and connection bar kits	43
OTDCKIT400B202	1SCA136285R1001	Short circuit and connection bar kits	43
OTDCKIT400S101	1SCA136280R1001	Short circuit and connection bar kits	43
OTDCKIT400S11	1SCA136281R1001	Short circuit and connection bar kits	43
OTDCP16S12M	1SCA125153R1001	DC plastic enclosed switch-disconnector	16
OTDCP16S22M	1SCA125095R1001	DC plastic enclosed switch-disconnector	16
OTDCP16S22MD	1SCA131730R1001	DC plastic enclosed switch-disconnector	17

Index

Type	Order number	Description	Page
OTDCP16SA12M	1SCA125150R1001	DC plastic enclosed switch-disconnector	16
OTDCP16SA22M	1SCA125094R1001	DC plastic enclosed switch-disconnector	16
OTDCP16SA22MD	1SCA131850R1001	DC plastic enclosed switch-disconnector	17
OTDCP25S11M	1SCA125130R1001	DC plastic enclosed switch-disconnector	16
OTDCP25S12M	1SCA125154R1001	DC plastic enclosed switch-disconnector	16
OTDCP25S22M	1SCA125092R1001	DC plastic enclosed switch-disconnector	16
OTDCP25S22MD	1SCA131731R1001	DC plastic enclosed switch-disconnector	17
OTDCP25SA12M	1SCA125151R1001	DC plastic enclosed switch-disconnector	16
OTDCP25SA22M	1SCA125091R1001	DC plastic enclosed switch-disconnector	16
OTDCP25SA22MD	1SCA131851R1001	DC plastic enclosed switch-disconnector	17
OTDCP32S11M	1SCA125131R1001	DC plastic enclosed switch-disconnector	16
OTDCP32S12M	1SCA125155R1001	DC plastic enclosed switch-disconnector	16
OTDCP32S22M	1SCA125093R1001	DC plastic enclosed switch-disconnector	16
OTDCP32S22MD	1SCA131732R1001	DC plastic enclosed switch-disconnector	17
OTDCP32SA12M	1SCA125152R1001	DC plastic enclosed switch-disconnector	16
OTDCP32SA22M	1SCA125090R1001	DC plastic enclosed switch-disconnector	16
OTDCP32SA22MD	1SCA131852R1001	DC plastic enclosed switch-disconnector	17
OTDCS250G1S	1SCA125563R1001	Terminal shroud	44
OTDCS250G4B	1SCA136274R1001	Shrouds for short circuit links/ connection bars	44
OTDCS250T1S	1SCA125580R1001	Terminal shroud	44
OTDCS400G1L	1SCA132362R1001	Terminal shroud	44
OTDCS400G1S	1SCA132361R1001	Terminal shroud	44
OTDCS400G2B	1SCA136273R1001	Shrouds for short circuit links/ connection bars	44
OTDCS400T1L	1SCA136279R1001	Shrouds for short circuit links/ connection bars	44
OTDCS400T1L	1SCA132364R1001	Terminal shroud	44
OTDCS400T1S	1SCA132363R1001	Terminal shroud	44
OTDCS400T2L	1SCA136275R1001	Shrouds for short circuit links/ connection bars	44
OTDCS400T3L	1SCA136276R1001	Shrouds for short circuit links/ connection bars	44
OXS6X105	1SCA108043R1001	Shaft	37
OXS6X120	1SCA101654R1001	Shaft	37
OXS6X130	1SCA101655R1001	Shaft	37
OXS6X160	1SCA101656R1001	Shaft	37
OXS6X180	1SCA101659R1001	Shaft	37
OXS6X250	1SCA101660R1001	Shaft	37

Contact us

ABB Oy

Breakers and Switches

P.O. Box 622

FI-65101 Vaasa, Finland

Phone: +358 10 22 11

Fax: +358 10 22 45708

E-Mail: firstname.surname@fi.abb.com

www.abb.com

The technical data and dimensions are valid at the time of printing. We reserve the right to subsequent alterations.

Catalogue OTDC1GB 14-10 1SCC30102100201

