

Overview

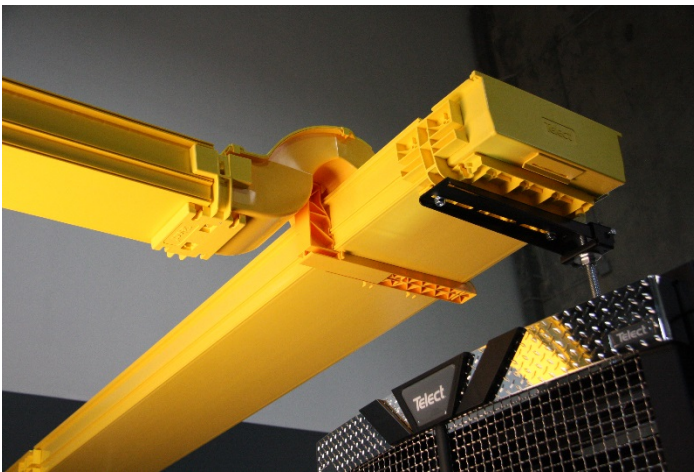
No more specialized tools. No more cutting. No more having to envision every future fiber curve, drop and intersection. Simplify your overhead cable management with the smooth, powerful connection of the Amphenol Network Solutions WaveTrax Express.

Respond to unprecedented fiber demands — and garner fiber revenue — by growing your fiber ducting systems easily. WaveTrax Express enables accelerated network growth by reducing installation time for new builds and expansion. Decide where you want runs, drops, and intersections and instantly complete the installation — without specialized tools or cutting.

All Express parts attach to 4", 6", 12" and 24" trough. WaveTrax Express Compatible brackets install onto existing TE Fiberguide layouts without any cutting or special tools.

The Amphenol Network Solutions ratcheting bracket simplifies the install.

The simple install.



Primary Benefits

- Works for both new fiber builds and existing layouts
- Reduces installation time and cost by 30% and retrofits by 60%
- Simplifies design layouts
- Expansion requires no cutting
- Installs anywhere along a fiber trough
- Eliminates foreign objects debris (FOD) when installing
- Universal design fits TE Fiberguide trough as well as the Amphenol Network Solutions WaveTrax fiber ducting solutions

Applications

New and existing fiber ducting layouts

Drops – Attach WaveTrax Express Off-Ramps to drop fiber into equipment and racks. No cutting.

Intersecting runs – Install Express T Interchanges to route fiber to intersecting runs. No cutting.

Parallel runs – Build parallel runs by mounting two troughs, side-by-side and installing the Express Overpass to route fiber from one trough to the other. No cutting.

Additional rows – Install a WaveTrax Express T Interchange to add a row of equipment and distribute fiber from existing trough. No cutting.

Intersecting run – Add an intersecting run onto Legacy TE Fiberguide™ — without cutting the trough — by utilizing the Amphenol Network Solutions WaveTrax Express Fiberguide Compatible Bracket. No cutting.



WaveTrax Express T Interchange
027-2000-6412



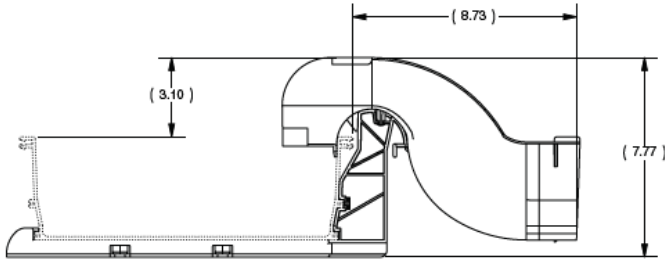
WaveTrax Express Off-Ramp
027-2000-6412



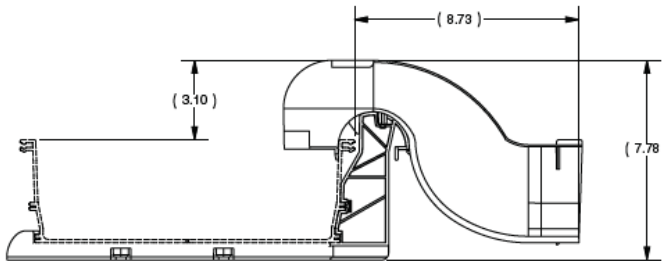
WaveTrax Express Overpass
027-2000-4066

Specifications

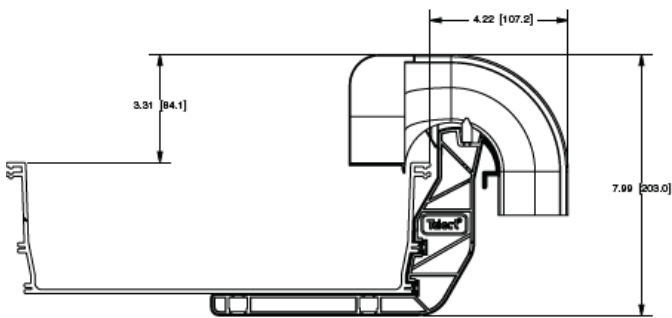
Express Attachments & Brackets	
Base material	PC/ABS, Bayblend FR110
Melting point	220 - 270°C
Flammability rating	UL 94V-0
RoHS compliant	Yes
Agency compliance	NEBS 3, ETSI



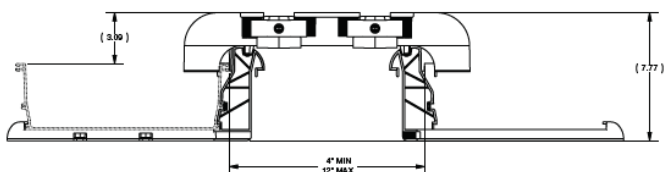
027-2000-6412



027-2000-12412



027-2000-4264



027-2000-4066

Part Numbers

Express Horizontal Transitions & Covers

Part Number	Description
027-2000-6412	4" x 6" Express T Interchange
027-2000-6413	4" x 6" Express T Interchange Cover
027-2000-12412	4" x 12" Express T Interchange
027-2000-12413	4" x 12" Express T Interchange Cover
027-2000-4066	Express Overpass
027-2000-4067	Express Overpass Cover
027-2000-4068	Express Overpass Extender Cover

Express Drops & Covers

Part Number	Description
027-2000-4262	2" x 2" Express Off-Ramp
027-2000-4263	2" x 2" Express Off-Ramp Cover
027-2000-4062	4" x 4" Express Off-Ramp
027-1000-4066	4" x 4" Express Off-Ramp Cover
027-2000-24112	4" x 12" Express Off-Ramp

Express Competitive Brackets

Part Number	Description
For 4" and 6" Troughs	
027-C0406-4262	Trax (4,6) 2" Express Off-Ramp w/ Compatible Bracket
027-C0406-4062	Trax (4,6) 4" Express Off-Ramp w/ Compatible Bracket
027-C0406-6412	Trax (4,6) 6" Express Interchange w/ Compatible Bracket
027-C0406-4066	Trax (4,6) 8" Express Overpass w/ Compatible Bracket
For 12" Troughs	
027-C0012-4062	Trax (12) 4" Express Off-Ramp w/ Compatible Bracket
027-C0012-6412	Trax (12) 6" Express Interchange w/ Compatible Bracket
027-C0012-12412	Trax (12) 12" Express Interchange w/ Compatible Bracket
027-C0012-4066	Trax (12) 8" Express Overpass w/ Compatible Bracket
For 24" Troughs	
027-C0024-6412	Trax (24) 6" Express Interchange w/ Compatible Bracket
027-C0024-12412	Trax (24) 12" Express Interchange w/ Compatible Bracket
027-C0024-4066	Trax (24) 8" Express Overpass w/ Compatible Bracket