

SYSTIMAX® InstaPATCH® Cu 2015 Configurator

Effective January 29, 2015, SYSTIMAX InstaPATCH Cu is available for order through a new configurator. The new configurator provides instant access to quotes, orders and project planning. The new configurator supports **standard** configurations and **generic** labeling.



Cable Type	Connector A	Connector B	Link	Orientation A	Orientation B	Bundling	Labeling	Outlet Color	Jacket Color	UOM	LENGTH
A Cat 6A X100-U/UTP (Plenum)	A Outlet - Single Row Standard Density	A Outlet - Single Row Standard Density	B 6 C 8	1 Trident Series Flat	1 Trident Series Flat	H Hook-n-loop S Sleeving	A Generic Label	0 N/A	3 Dark Gray (DG)	F Foot	XXX
B Cat 6A X100-U/UTP (Riser)	B Outlet - Dual Row Standard Density	B Outlet - Dual Row Standard Density	D 12 E 16 F 18 G 24	2 Right Paired Flat	2 Right Paired Flat			1 Black (BK) 2 Blue (BL) 8 White (WH)	8 White (WH) Z Blue (BL)		
C Cat 6A X100-U/UTP (LSZH)	C Outlet - Dual Row High Density	C Outlet - Dual Row High Density		3 Right Series Flat	3 Right Series Flat						
D Cat 6A X100-F/UTP (Plenum)	G RJ45 Plug - Single Row Standard Density	G RJ45 Plug - Single Row Standard Density		4 Left Paired Flat	4 Left Paired Flat						
E Cat 6A X100-F/UTP (Riser)	H RJ45 Plug - Dual Row Standard Density	H RJ45 Plug - Dual Row Standard Density		5 Left Series Flat	5 Left Series Flat						
F Cat 6A X100-F/UTP (LSZH)	J RJ45 Plug - Dual Row High Density	J RJ45 Plug - Dual Row High Density		6 Trident Paired Flat	6 Trident Paired Flat						
G Cat 6 XL-U/UTP (Plenum)	N 1100 Module	N 1100 Module		A Trident Series Angled	A Trident Series Angled						
H Cat 6 XL-U/UTP (Riser)	R 360 1100 Evolve Module	R 360 1100 Evolve Module		B Right Paired Angled	B Right Paired Angled						
J Cat 6 XL-U/UTP (LSZH)	S OneLink 2x6	S OneLink 2x6		C Right Series Angled	C Right Series Angled						
Q Cat 6A X100-S/FTP (LSZH)	T OneLink 2x4	T OneLink 2x4		D Left Paired Angled	D Left Paired Angled						
	X Unterminated			E Left Series Angled	E Left Series Angled						
				F Trident Paired Angled	F Trident Paired Angled						
				X Not Applicable							

What is new?

1. Standard Source & Destination Label

- Supported by [WebTrak](#) for the retrieval of a complete performance test report
- Complete Material ID & description



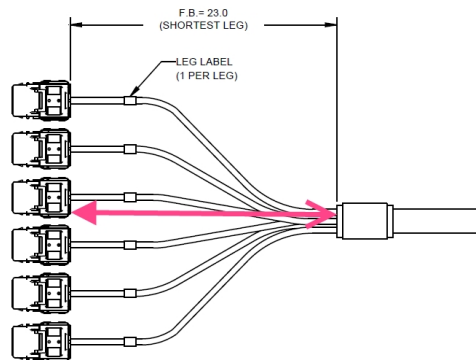
2. Standard Leg Label

- Cables on End A are labeled as A01, A02, A03....based on the orientation configuration
- Cables on End B are labeled as B01, B02, B03....based on the orientation configuration



3. Optimized Breakout Length

- 23 in. (58.4 cm) on the shortest leg



For ordering information, please refer to Product Catalog:

http://www.commscope.com/catalog/enterprise/product_narrow_instaPatch.aspx?id=170