



FAST-FOLD **NXT**

FOR YOUR IMAGE™



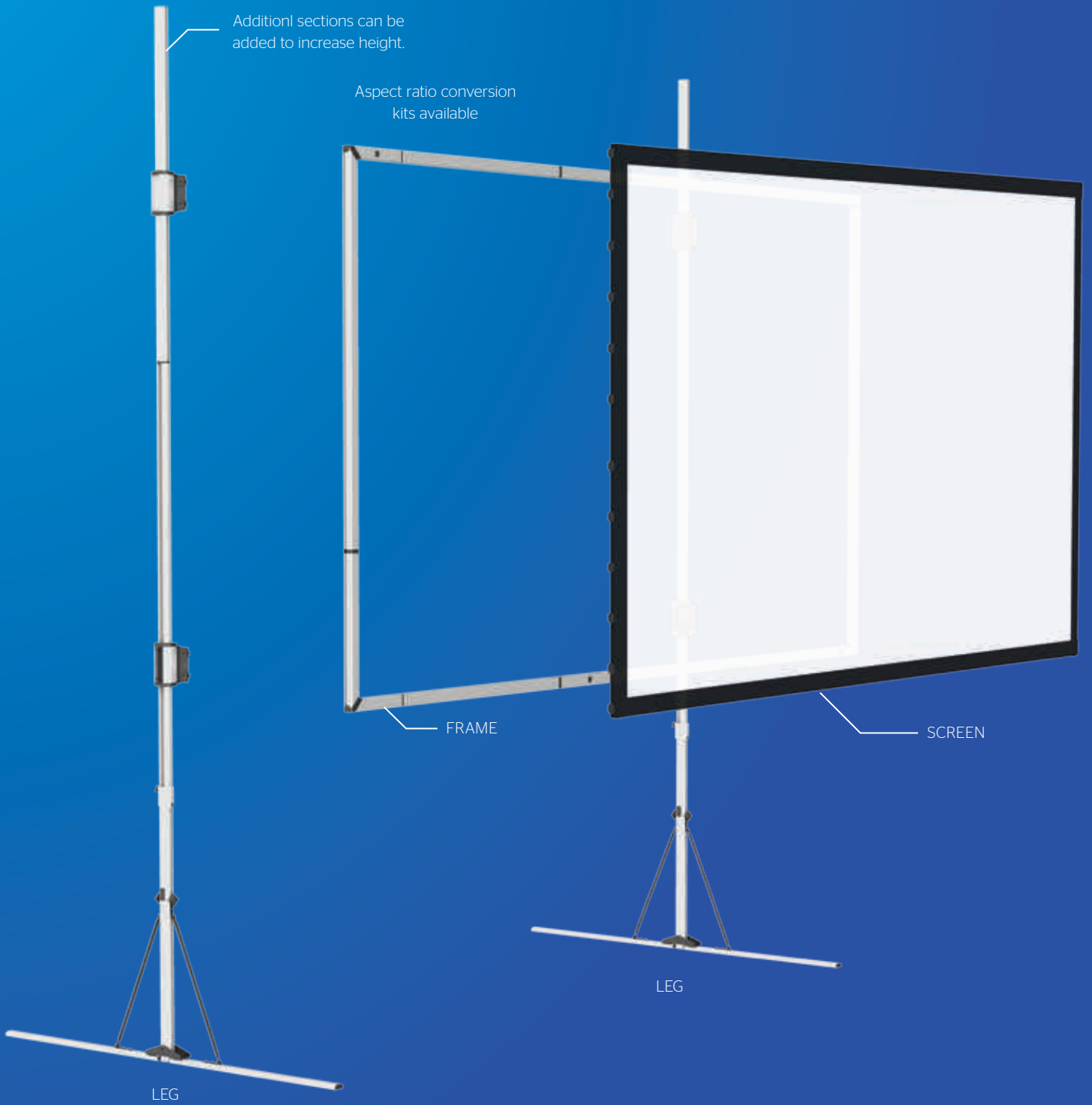
The Best is Better than Ever

We listened to you. We talked to buyers, business owners, product managers, end users, stage engineers and the technicians that set up rental screens every day.

We listened to what was important to you, and designed a work horse that is stronger, faster and simpler in the ways that make a difference. All delivered in a great looking product complete with foldable 4K optic capabilities, for your image.

We've Eliminated:

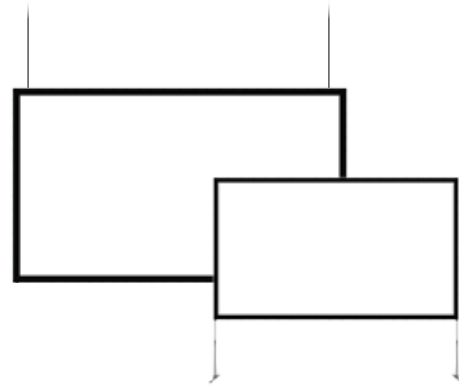
- ⊘ Rivets
- ⊘ Snaps
- ⊘ Speedy Cranks
- ⊘ Sewing
- ⊘ Pull Tabs



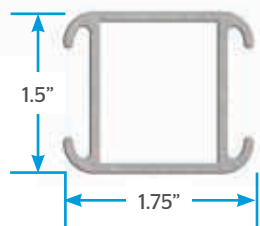
Simplified attachments to speed set up time.

New Extrusion

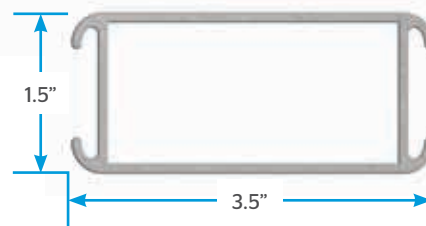
- More aluminum means a slightly larger frame and more strength
- Channels give additional strength where you need it and prevent bowing
- Shape improves aesthetic of frame and streamlines accessories by centralizing the location of all attachments
- Fly any model with fly kit
- Orient any screen in portrait or landscape format



Universal frame design can both fly or be on legs



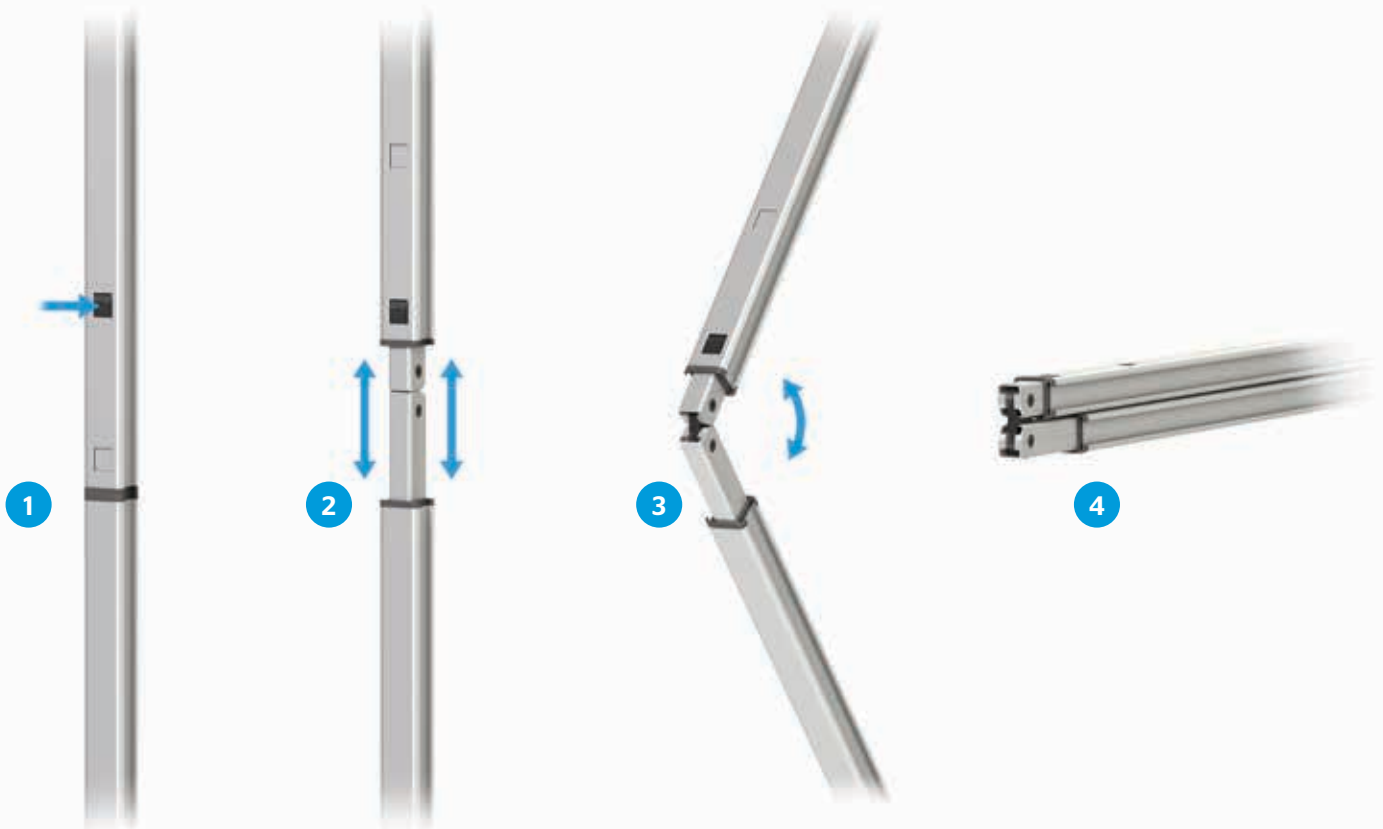
Standard Extrusion



Large Extrusion

New Hinge

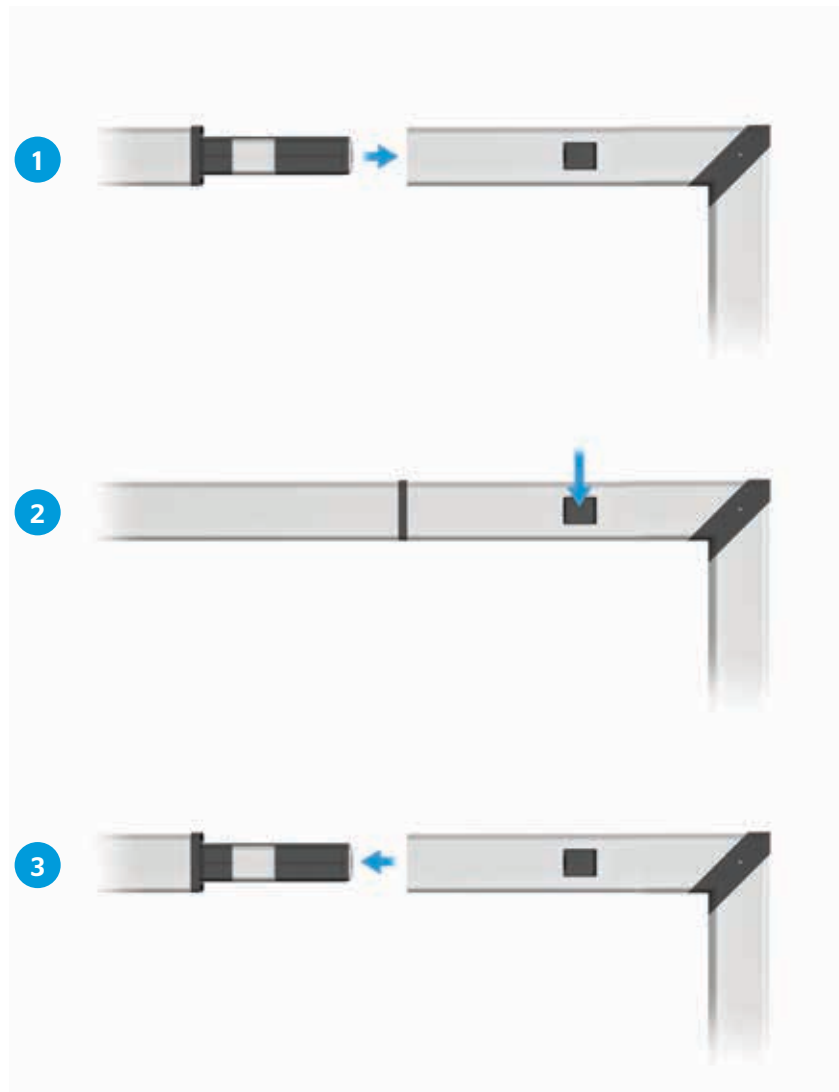
- Internal hinge improves durability and aesthetic
- Increased strength in design that uses epoxy instead of exposed rivets
- Push Button release for easy tear down



Frame easily folds down with the push of a button.

New Corner

- Push Button release for easy tear down
- Fixed corner design improves durability
- Welded insert for additional reinforced strength
- Surface alignment that is the same every time



Frame easily tears down with the push of a button.

New Legs

- No speedy cranks. Easily adjust screen height while screen is assembled and upright with micro-sawtooth height adjustment
- Easily add height adjustment sections when additional height is needed
- Latch-attach to frame
- Lower profile, gliding feet for moving the screen
- Independently leveling feet for uneven floors



Attach legs to the frame in just four easy steps.



Simple height adjustment.

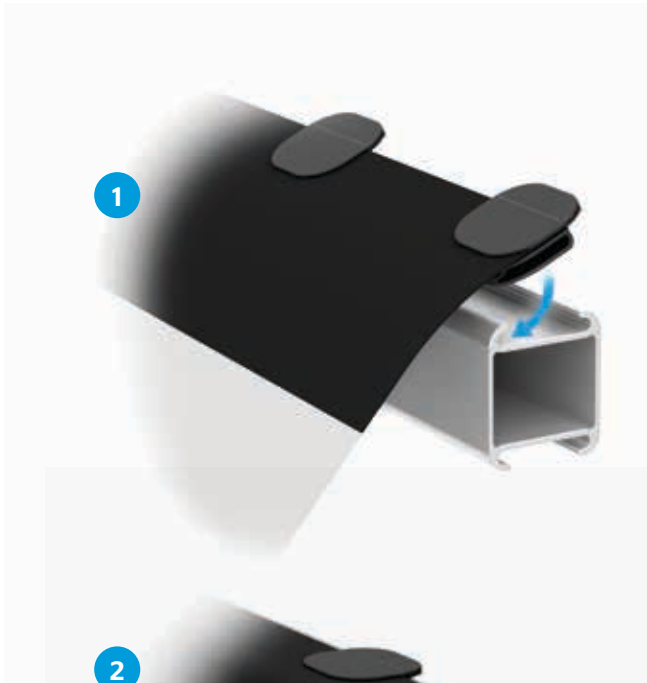
New Reinforced Case

- Reinforced for increased strength
- Updated internal organization to protect surface and components
- New design featuring 4 wheels
- Designed to be stored upright or stacked horizontally
- New labeling system for quick identification
- Fewer case sizes for simplification



New Surface Formulation

- Foldable, 4K-ready rental surface for HD and 4K projection - only from the chemists at Da-Lite pushing the Science of Surface
- Easy attachment with new clip design



Surface easily attaches to the frame with clip system.



HD Rental

Half Angle: 85° | Gain: 1.0
Front Projection



Dual Vision

Half Angle: 65° | Gain: 0.9
Rear Projection

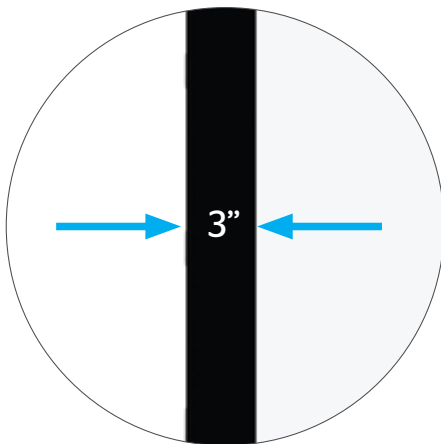
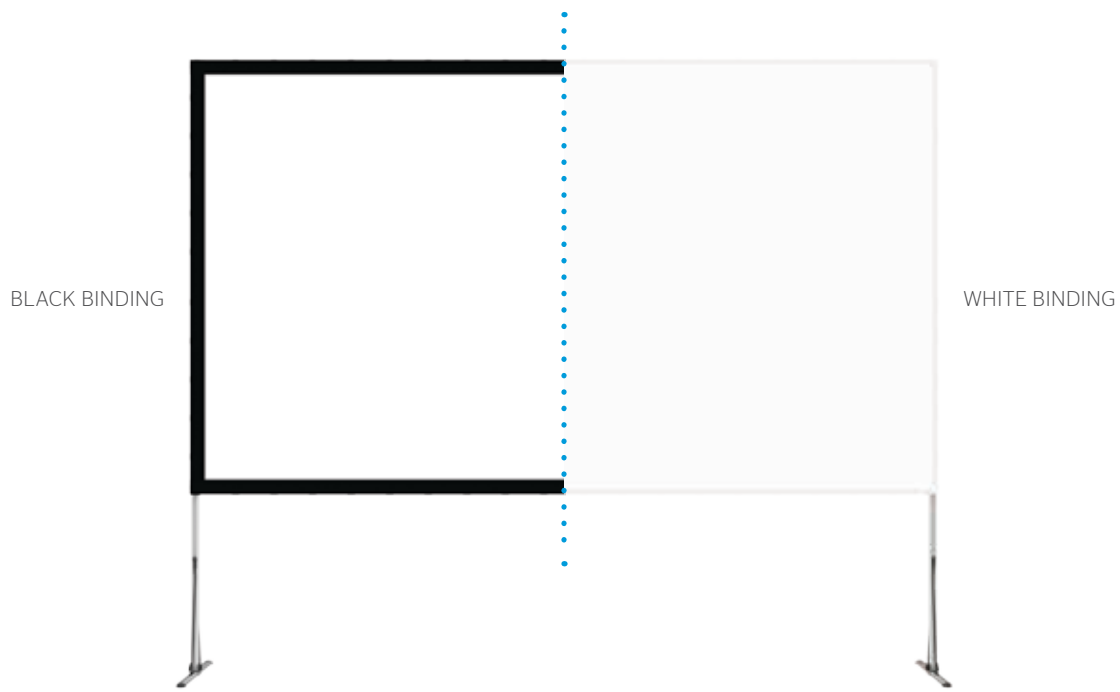


Da-Tex

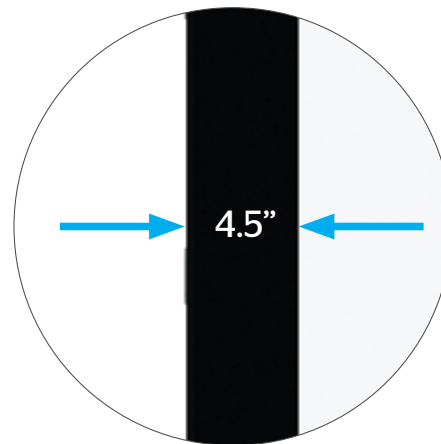
Half Angle: 30° | Gain: 1.3
Rear Projection

New Surface Binding

- New vinyl binding design replaces a woven binding and allows for easier attachment and flexibility
- Smaller 1" white binding wrap-around option for borderless viewing area
- RF weld for clean lines



3" Black Border For Standard Sizes.



4.5" Black Border For Larger Sizes.

Available Sizes

- Frames available up to 16' wide with standard extrusion
- Frames available up to 27.5' wide with large extrusion

STANDARD SIZES

HDTV (16:9) Format

| VIEWING AREA (H X W in.) | VIEWING AREA (H X W cm) | DIAGONAL (in.) | DIAGONAL (cm) |
|-----------------------------|----------------------------|----------------|---------------|
| 52" x 92" | 132 x 234 | 106" | 269 |
| 58" x 104" | 147 x 264 | 119" | 302 |
| 65" x 116" | 165 x 295 | 133" | 338 |
| 79" x 140" | 201 x 356 | 159" | 404 |
| 90" x 160" | 229 x 406 | 184" | 467 |
| 108" x 192" | 274 x 488 | 220" | 559 |

Wide (16:10) Format

| VIEWING AREA (H X W in.) | VIEWING AREA (H X W cm) | DIAGONAL (in.) | DIAGONAL (cm) |
|-----------------------------|----------------------------|----------------|---------------|
| 58" x 92" | 147 x 234 | 109" | 277 |
| 65" x 104" | 165 x 264 | 123" | 312 |
| 73" x 116" | 185 x 295 | 137" | 348 |
| 88" x 140" | 224 x 356 | 165" | 419 |
| 102" x 164" | 259 x 417 | 189" | 480 |
| 120" x 192" | 305 x 488 | 226" | 574 |

LARGE SIZES

HDTV (16:9) Format

| VIEWING AREA (H X W ft./in.) | VIEWING AREA (H X W cm) | DIAGONAL (in.) | DIAGONAL (cm) |
|---------------------------------|----------------------------|----------------|---------------|
| 7'6" x 13'4" | 229 x 406 | 184" | 467 |
| 9' x 16' | 274 x 488 | 220" | 559 |
| 10' x 18' | 305 x 549 | 245" | 622 |
| 10'6" x 18'8" | 320 x 569 | 257" | 653 |
| 11'3" x 20' | 343 x 610 | 275" | 699 |
| 12' x 21'4" | 366 x 650 | 294" | 747 |
| 13'6" x 24' | 411 x 732 | 340" | 864 |
| 15' x 26'6" | 457 x 808 | 367" | 932 |

Wide (16:10) Format

| VIEWING AREA (H X W ft./in.) | VIEWING AREA (H X W cm) | DIAGONAL (in.) | DIAGONAL (cm) |
|---------------------------------|----------------------------|----------------|---------------|
| 8'4" x 13'4" | 254 x 406 | 189" | 480 |
| 10' x 16' | 305 x 488 | 226" | 574 |
| 11'3" x 18' | 381 x 610 | 255" | 648 |
| 12'6" x 20' | 381 x 610 | 283" | 719 |
| 13'4" x 21'4" | 406 x 650 | 302" | 767 |
| 15' x 24' | 457 x 732 | 340" | 864 |
| 16'6" x 26'6" | 503 x 808 | 375" | 953 |



A BRAND OF MILESTONE AV TECHNOLOGIES | www.milestone.com

P 800.622.3737 / 574.267.8101 **F** 877.325.4832 / 574.267.7804

E info@da-lite.com

In British Columbia, Milestone AV Technologies ULC carries on business as MAVT Milestone AV Technologies ULC.

©2016 Milestone AV Technologies. DL-0641 1216

Da-Lite is a registered trademarks of Milestone AV Technologies. All other brand names or marks are used for identification purposes and are trademarks of their respective owners. All patents are protected under existing designations. Other patents pending.

milestone™

Milestone AV Technologies is home of Chief, Da-Lite, Sanus and Projecta. Across these brands, Milestone produces a wide range of innovative audiovisual solutions.