

CUSTOM CAPABILITIES

PRODUCT PROFILE...

This is a custom enclosure that we've manufactured and continue to keep on the floor at all times for a regional grocery chain. It consists of two enclosures which are ordered, assembled and shipped together in an "A/B" configuration. We are not able to discuss the exact specifics of the equipment mounted, but one of the most unique features is the customized swing rack which is installed within the upper half of one of the enclosures itself. The customer wishes to have the access one would find in a swing rack, installed with the protection offered by a full-sized, free-standing enclosure.

This customer has also provided us with specific installation instructions for a number of accessories. The direction for placement is also very specific, to include the installation of some of our 19" mounted shelving in a manner which is "upside down" from its original design. That's what works for this customer and we're happy to do it.

The customer in this application also sends us their own installation manual which we keep here and ship with each cabinet set. The installation manual provides the integrator everything they need to install certain pieces of equipment and to bring those enclosures on line, in the field. When we get low on manuals, we call the customer for re-stocking.

We've been supporting this customer for several years and we have made rolling changes based on revisions requested by the company to meet their changing needs. Everyone at Great Lakes works together to ensure quality, packaging and shipping is exactly what the customer wants.

For more information on how this relationship works, or to find out how you can bring this "rack & stack" concept to one of your customers, please call technical sales at 1-866-TRY-GLCC (879-4522).

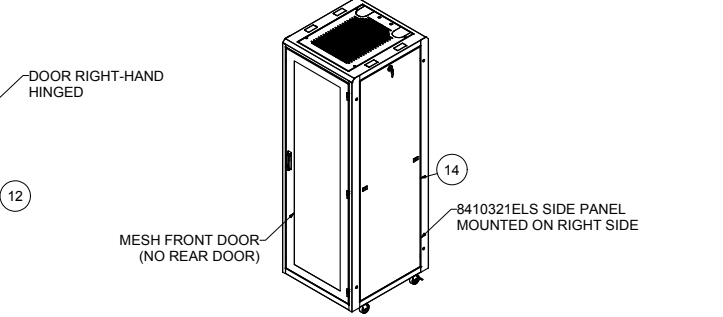
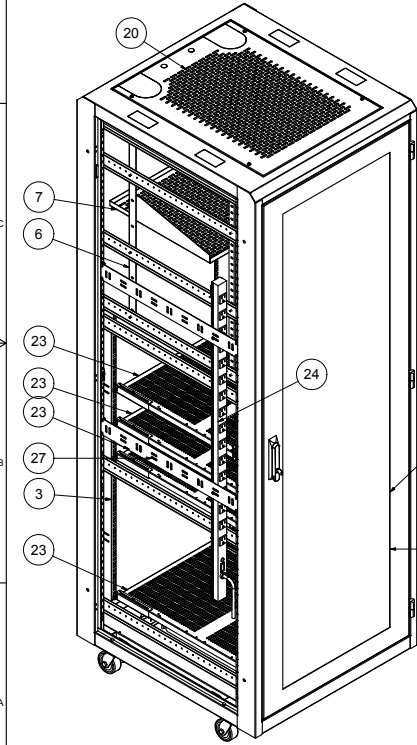
Complex
configuration?
"No problem"!

www.WeRackYourWorld.com

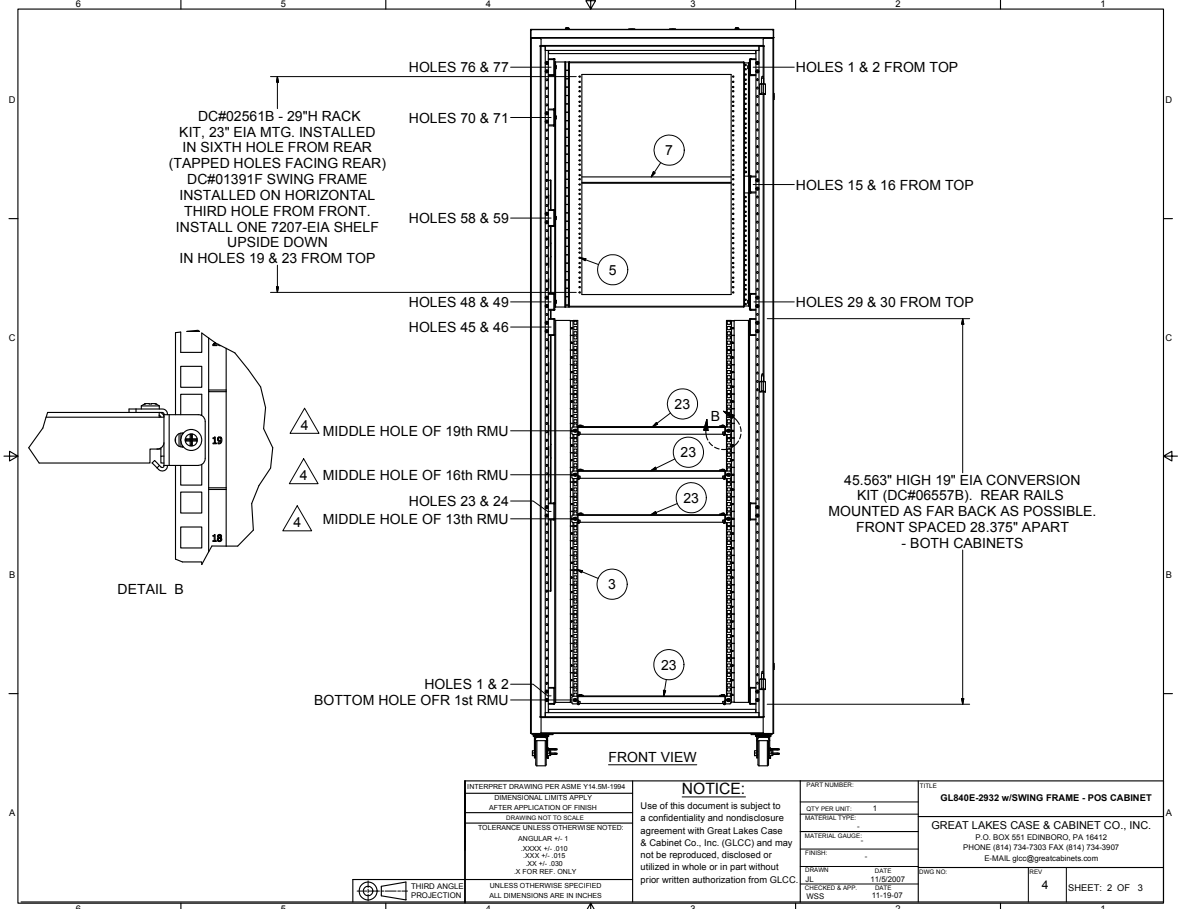


REVISION HISTORY			
REV	DESCRIPTION	DATE	APPROVED
0	ECO-00072	11/19/2007	JL
1	ECO-02107	12/12/2007	JL
2	ECO-02126	1/4/2008	JL
3	ECO-02219	3/19/2008	JL
4	ECO-02559	5/14/2009	FED

ITEM		PART NUMBER	STOCK NU	QTY	DESCRIPTION	FILE NAME	REV
1				1	84"H x 29"W x 32"D ENHANCED FRAME WELDMENT	I005127.iam	2
2		GASKET172		78	1/8" x 1/2" NEOPRENE GASKET WITH PSA	GASKET172.ipt	-
3		DC#06557B3100		1	45.563" HIGH CONVERSION KIT FOR GL840E-2932	I005844.iam	0
4		H01-078	H01-078	79	SCREW, 10-32x1/2" PH PAN TYPE 23 BLACK OXIDE/WAX ROHS	SCR1032X500BLK.ipt	-
5		DC#01391F3100		1	29.25"H x 21.00"W SWING FRAME - ASSEMBLY	I006149.iam	4
6		DC#02561B3100		1	PAIR OF 29.00" LONG, 23" EIA MOUNTING RAILS FOR SWING FRAME CONVERSION KIT	I006156.iam	0
7		7207EIA		1	23"EIA STATIONARY SHELF - 18"D	GL002188.ipt	4
8		10/32CAGENUT		16	#10-32 CAGE NUT	1032CAGENUT.iam	-
9		H01-069	H01-069	6	SCREW, 10-32x3/8" PH FLAT TYPE 23 BLACK OXIDE/WAX ROHS	SCR1032X375FHLK23.ipt	-
10				3	BOTTOM HINGE - MALE	hinge_bottom.ipt	4
11		WHGLCC		3	NYLON WASHER FOR HINGE	WHGLCC.ipt	4
12		8402E29X100		1	PLEXIGLAS ENHANCED DOOR, 84"H x 29"W, VENDOR LEVEL ASSEMBLY	I000162.iam	7
13		H02-006	H02-006	16	#10-32 ACORN NUT NYLON BLACK	0501032LNCBLK.ipt	-
14		8410321ELSX100		1	SIDE PANEL SOLID LIFT-OFF FOR 84H x 32D E CABINET, ASSEMBLY	I000266.iam	6
15		9001062703		4	SIDE PANEL SPACER, .187" GAP HEIGHT	9001062703.ipt	-
16		FSDOORSPACER		4	SPACER FOR DOORS AND SIDE PANELS	FSDOORSPACER.ipt	5
17				4	SIDE PANEL LATCH BRACKET - BLACK POWDER COATED	I001583.ipt	0
18		H01-047	H01-047	4	SCREW, 8-32x3/8" PH PAN TYPE 23 BLACK OXIDE/WAX ROHS	SCR832X375BLK.ipt	-
19		BPF375		6	BUTTON PLUG, FLUSH TYPE - BLACK	BPF375.ipt	-
20				1	29" WIDE ENHANCED PERF TOP PANEL	I000019.ipt	2
21		SCR10321BLK23		4	#10-32 x 1/4" PAN HEAD PHIL TYPE 23 BLACK	SCR10321BLK23.ipt	-
22		17W04379B		4	BLACK NYLON WASHER (.196 DIA x .437 DIA)	17W04379B.ipt	-
23		7206FRADHDX203		4	SHELF ASSEMBLY, 17.5"W x 27.25"D	GL002492.iam	4
24		7215		1	12SV, 15A, 16 POS, NEMA 5-15R, NEMA-15P PLUG, 15 FT. SJT CORD, 49"	7215.ipt	4
25		MESH840E29X100		1	MESH PANEL - 74.500"H x 20.000"W	I000685.ipt	4
26		MESHWSHR		20	MESH PANEL WASHER 70 DUROMETER NEOPRENE	MESHWSHR.ipt	5
27		DC#06293200		1	PDU BRACKET SET FOR GIANT FOOD CABINETS	I006285.iam	0
28		7208E01		2	WAGNER SWIVEL STEM CASTER, # 2F9953006002106, NON LOCKING, 3.625" HEIGHT, 210 LB. CAP	I001616.iam	0
29		7208E02		2	WAGNER SWIVEL STEM CASTER, # 2F9953006002106, LOCKING, 3.625" HEIGHT, 210 LB. CAP	I001617.iam	0



INTERPRET DRAWING PER ASME Y14.5M-1994		NOTICE:		PART NUMBER:		TITLE	
DIMENSIONAL LIMITS APPLY		Use of this document is subject to a confidentiality and nondisclosure agreement with Great Lakes Case & Cabinet Co., Inc. (GLCC) and may not be reproduced, disclosed or utilized in whole or in part without prior written authorization from GLCC.		GL840E-2932 w/SWING FRAME - POS CABINET		GREAT LAKES CASE & CABINET CO., INC.	
AFTER APPLICATION OF FINISH		DRAWING NOT TO SCALE		TOLERANCE UNLESS OTHERWISE NOTED:		P.O. BOX 551 EDINBORO, PA 16412	
DRAWING NOT TO SCALE		TOLERANCE UNLESS OTHERWISE NOTED:		ANGULAR +/- .1		PHONE (814) 734-7303 FAX (814) 734-3907	
TOLERANCE UNLESS OTHERWISE NOTED:		ANGULAR +/- .1		XXX +/- .010		E-MAIL glcc@greatlakescabinets.com	
TOLERANCE UNLESS OTHERWISE NOTED:		XXX +/- .015		XX +/- .009		DATE	
TOLERANCE UNLESS OTHERWISE NOTED:		XXX +/- .015		X FOR REF. ONLY		11/19/07	
TOLERANCE UNLESS OTHERWISE NOTED:		X FOR REF. ONLY		UNLESS OTHERWISE SPECIFIED ALL DIMENSIONS ARE IN INCHES		REV	
TOLERANCE UNLESS OTHERWISE NOTED:		UNLESS OTHERWISE SPECIFIED ALL DIMENSIONS ARE IN INCHES		THIRD ANGLE PROJECTION		4	
TOLERANCE UNLESS OTHERWISE NOTED:		UNLESS OTHERWISE SPECIFIED ALL DIMENSIONS ARE IN INCHES		THIRD ANGLE PROJECTION		SHEET: 1 OF 3	



INTERPRET DRAWING PER ASME Y14.5M-1994		NOTICE:		PART NUMBER:		TITLE	
DIMENSIONAL LIMITS APPLY		Use of this document is subject to a confidentiality and nondisclosure agreement with Great Lakes Case & Cabinet Co., Inc. (GLCC) and may not be reproduced, disclosed or utilized in whole or in part without prior written authorization from GLCC.		GL840E-2932 w/SWING FRAME - POS CABINET		GREAT LAKES CASE & CABINET CO., INC.	
AFTER APPLICATION OF FINISH		DRAWING NOT TO SCALE		TOLERANCE UNLESS OTHERWISE NOTED:		P.O. BOX 551 EDINBORO, PA 16412	
DRAWING NOT TO SCALE		TOLERANCE UNLESS OTHERWISE NOTED:		ANGULAR +/- .1		PHONE (814) 734-7303 FAX (814) 734-3907	
TOLERANCE UNLESS OTHERWISE NOTED:		ANGULAR +/- .1		XXX +/- .010		E-MAIL glcc@greatlakescabinets.com	
TOLERANCE UNLESS OTHERWISE NOTED:		XXX +/- .015		XX +/- .009		DATE	
TOLERANCE UNLESS OTHERWISE NOTED:		XXX +/- .015		X FOR REF. ONLY		11/19/07	
TOLERANCE UNLESS OTHERWISE NOTED:		X FOR REF. ONLY		UNLESS OTHERWISE SPECIFIED ALL DIMENSIONS ARE IN INCHES		REV	
TOLERANCE UNLESS OTHERWISE NOTED:		UNLESS OTHERWISE SPECIFIED ALL DIMENSIONS ARE IN INCHES		THIRD ANGLE PROJECTION		4	
TOLERANCE UNLESS OTHERWISE NOTED:		UNLESS OTHERWISE SPECIFIED ALL DIMENSIONS ARE IN INCHES		THIRD ANGLE PROJECTION		SHEET: 2 OF 3	