

CUSTOM CAPABILITIES

PRODUCT PROFILE...

The reason we are sharing this application with you is not necessarily the enclosure design itself (customized version of our GL720E-2936), but what the customer has asked us to do to the enclosure prior to shipping.

In order to streamline its own processes, the customer provided us with some highly specialized wiring and electrical installation instructions which they wanted to be completed by a certified electrician before the enclosure was shipped to them. We were asked to interview and select a certified electrical contractor with datacomm experience to install a custom top-mounted junction box with a twist-lock plug. The electricians are required to wire the enclosure from the junction box to specific wired receptacles installed in the bottom rear of the enclosure.

We were also asked to design and install extra equipment mounting support brackets in each enclosure because, once loaded with equipment, the enclosure is laid flat for packaging and shipment to a variety of locations throughout the world. These extra brackets provide additional support for the equipment as the enclosure travels to its final destination.

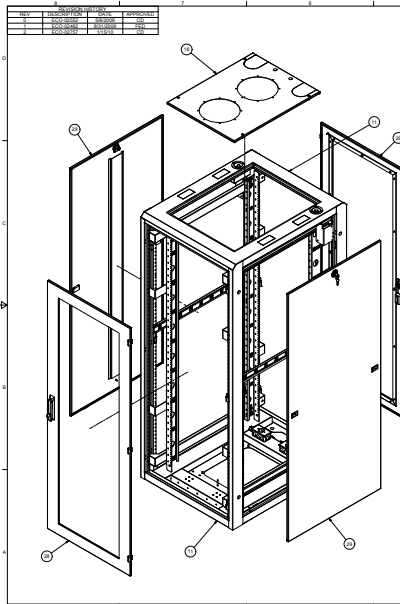
We schedule a time for the electricians to come in and create an easily accessible place for them to work. Once the electrical work is completed and our quality team inspects the cabinet, it is wrapped and shipped off to be loaded with equipment. The customer is able to save time, effort and working space to have the enclosure ready for loading immediately upon arrival.

For more information, on this custom application, please contact technical sales at 1-866-TRY-GLCC (879-4522).

*Additional
services are
available!*

www.WeRackYourWorld.com



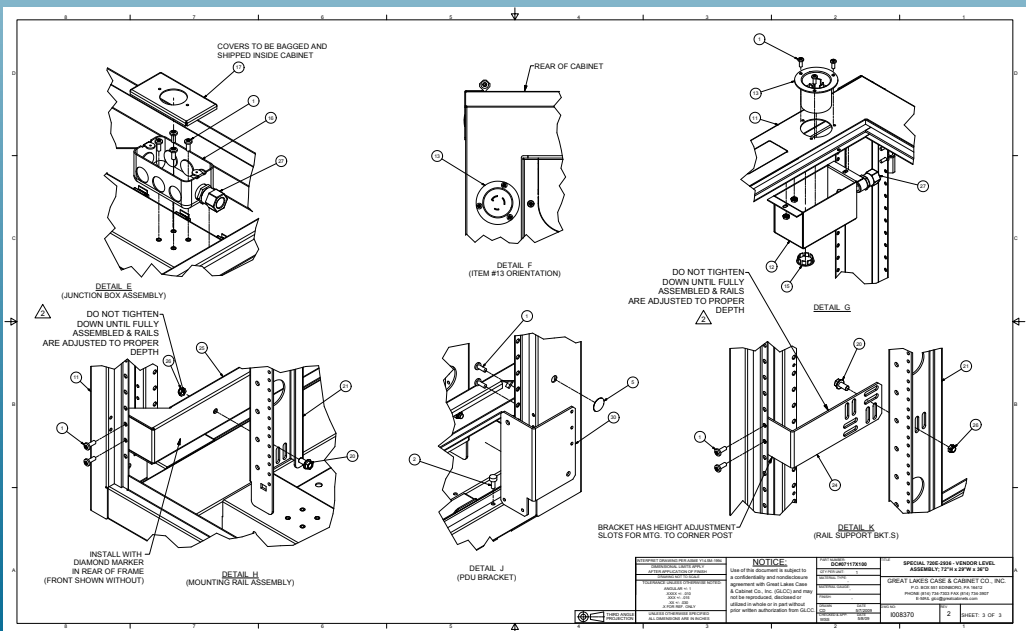
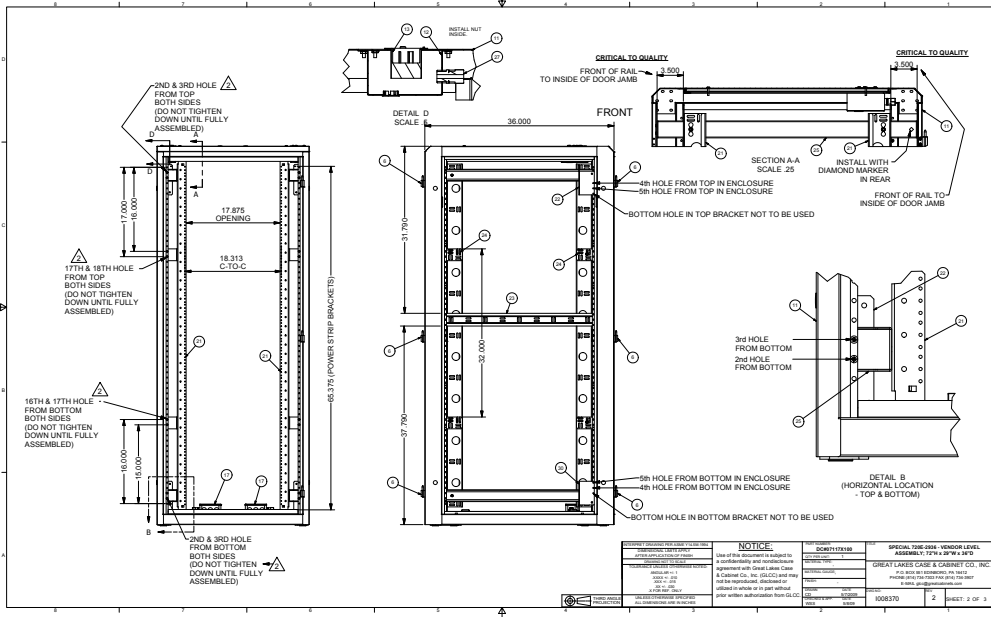


REV	REV NUMBER	REV NUMBER	REV DATE	DESCRIPTION	REV NUMBER	REV DATE
1	001/17A	001/17A	11/17/17	ISSUE FOR 17" POWER STRIP BRACKET	001/17A	11/17/17
2	001/17B	001/17B	11/17/17	ISSUE FOR 17" POWER STRIP BRACKET	001/17B	11/17/17
3	001/17C	001/17C	11/17/17	ISSUE FOR 17" POWER STRIP BRACKET	001/17C	11/17/17
4	001/17D	001/17D	11/17/17	ISSUE FOR 17" POWER STRIP BRACKET	001/17D	11/17/17
5	001/17E	001/17E	11/17/17	ISSUE FOR 17" POWER STRIP BRACKET	001/17E	11/17/17
6	001/17F	001/17F	11/17/17	ISSUE FOR 17" POWER STRIP BRACKET	001/17F	11/17/17
7	001/17G	001/17G	11/17/17	ISSUE FOR 17" POWER STRIP BRACKET	001/17G	11/17/17
8	001/17H	001/17H	11/17/17	ISSUE FOR 17" POWER STRIP BRACKET	001/17H	11/17/17
9	001/17I	001/17I	11/17/17	ISSUE FOR 17" POWER STRIP BRACKET	001/17I	11/17/17
10	001/17J	001/17J	11/17/17	ISSUE FOR 17" POWER STRIP BRACKET	001/17J	11/17/17
11	001/17K	001/17K	11/17/17	ISSUE FOR 17" POWER STRIP BRACKET	001/17K	11/17/17
12	001/17L	001/17L	11/17/17	ISSUE FOR 17" POWER STRIP BRACKET	001/17L	11/17/17
13	001/17M	001/17M	11/17/17	ISSUE FOR 17" POWER STRIP BRACKET	001/17M	11/17/17
14	001/17N	001/17N	11/17/17	ISSUE FOR 17" POWER STRIP BRACKET	001/17N	11/17/17
15	001/17O	001/17O	11/17/17	ISSUE FOR 17" POWER STRIP BRACKET	001/17O	11/17/17
16	001/17P	001/17P	11/17/17	ISSUE FOR 17" POWER STRIP BRACKET	001/17P	11/17/17
17	001/17Q	001/17Q	11/17/17	ISSUE FOR 17" POWER STRIP BRACKET	001/17Q	11/17/17
18	001/17R	001/17R	11/17/17	ISSUE FOR 17" POWER STRIP BRACKET	001/17R	11/17/17
19	001/17S	001/17S	11/17/17	ISSUE FOR 17" POWER STRIP BRACKET	001/17S	11/17/17
20	001/17T	001/17T	11/17/17	ISSUE FOR 17" POWER STRIP BRACKET	001/17T	11/17/17
21	001/17U	001/17U	11/17/17	ISSUE FOR 17" POWER STRIP BRACKET	001/17U	11/17/17
22	001/17V	001/17V	11/17/17	ISSUE FOR 17" POWER STRIP BRACKET	001/17V	11/17/17
23	001/17W	001/17W	11/17/17	ISSUE FOR 17" POWER STRIP BRACKET	001/17W	11/17/17
24	001/17X	001/17X	11/17/17	ISSUE FOR 17" POWER STRIP BRACKET	001/17X	11/17/17
25	001/17Y	001/17Y	11/17/17	ISSUE FOR 17" POWER STRIP BRACKET	001/17Y	11/17/17
26	001/17Z	001/17Z	11/17/17	ISSUE FOR 17" POWER STRIP BRACKET	001/17Z	11/17/17
27	001/17A	001/17A	11/17/17	ISSUE FOR 17" POWER STRIP BRACKET	001/17A	11/17/17
28	001/17B	001/17B	11/17/17	ISSUE FOR 17" POWER STRIP BRACKET	001/17B	11/17/17
29	001/17C	001/17C	11/17/17	ISSUE FOR 17" POWER STRIP BRACKET	001/17C	11/17/17
30	001/17D	001/17D	11/17/17	ISSUE FOR 17" POWER STRIP BRACKET	001/17D	11/17/17
31	001/17E	001/17E	11/17/17	ISSUE FOR 17" POWER STRIP BRACKET	001/17E	11/17/17

SPECIAL NOTES

- 1) REFER TO PURCHASE ORDER - SPECIAL INSTRUCTIONS MAY APPLY.
- 2) HORIZONTAL BRACKETS INSTALLED IN THE 2ND & 3RD HOLES FROM TOP & BOTTOM WITH THE DIAMOND PUNCH HOLE ON THE HORIZONTAL TOWARDS THE REAR OF THE CABINET.
- 3) THE (LEFT-TO-RIGHT) CENTER-TO-CENTER DISTANCE OF THE MOUNTING HOLES OF THE FRONT DOOR FLANGE AS SHOWN ON SHEET 2 OF 3.
- 4) **IMPORTANT!** INSTALL THE FRONT PAIR OF MOUNTING RAILS **3.50"** FROM THE INSIDE FACE OF THE FRONT DOOR FLANGE AS SHOWN ON SHEET 2 OF 3.
- 5) **IMPORTANT!** INSTALL THE REAR PAIR OF MOUNTING RAILS **3.50"** FROM THE INSIDE FACE OF THE REAR DOOR FLANGE AS SHOWN ON SHEET 2 OF 3.
- 6) GASKET 1/2" TO BE APPLIED ON THE FRAME OF THE ENCLOSURE IN BOTH THE FRONT AND REAR DOOR JAMS. BOTH SIDE PANEL DOOR JAMS AND AROUND ALL FOUR TOP PANEL FLANGES (PER TO 09-116).
- 7) TWO JUNCTION BOX COVERS (INCLUDED) TO BE BAGGED AND SHIPPED INSIDE CABINET.
- 8) INSTALL #10-32UNF NUTS ON INTERNAL GROUND STUDS - SEE **DETAIL D**, SHEET 2 OF 3.
- 9) RAIL SUPPORT BRACKETS TO BE ORDERED SEPARATELY BUT INSTALLED AS SHOWN ON SHEET 3 OF 3 (**DETAIL K**).
- 10) SPECIAL RMU LABELS TO BE APPLIED TO RAILS WITH #1 AT TOP & #9 AT BOTTOM. NUMBERS ARE STILL TO BE FACING UP (SPECIAL PURCHASED RMU LABELS).

REV	REV NUMBER	REV NUMBER	REV DATE	DESCRIPTION	REV NUMBER	REV DATE
1	001/17A	001/17A	11/17/17	ISSUE FOR 17" POWER STRIP BRACKET	001/17A	11/17/17



REV	REV NUMBER	REV NUMBER	REV DATE	DESCRIPTION	REV NUMBER	REV DATE
1	001/17A	001/17A	11/17/17	ISSUE FOR 17" POWER STRIP BRACKET	001/17A	11/17/17