



READ AND FOLLOW ALL SAFETY INSTRUCTIONS!
SAVE THESE INSTRUCTIONS AND DELIVER TO OWNER AFTER INSTALLATION

- To reduce the risk of death, personal injury or property damage from fire, electric shock, falling parts, cuts/abrasions, and other hazards please read all warnings and instructions included with and on the fixture box and all fixture labels.
- Before installing, servicing, or performing routine maintenance upon this equipment, follow these general precautions.
- Installation and service of luminaires should be performed by a **qualified licensed electrician**.
- Maintenance of the luminaires should be performed by person(s) familiar with the luminaires' construction and operation and any hazards involved. Regular fixture maintenance programs are recommended.
- It will occasionally be necessary to clean the outside of the refractor/lens. Frequency of cleaning will depend on ambient dirt level and minimum light output which is acceptable to user. Refractor/lens should be washed in a solution of warm water and any mild, non-abrasive household detergent, rinsed with clean water and wiped dry. Should optical assembly become dirty on the inside, wipe refractor/lens and clean in above manner, replacing damaged gaskets as necessary.
- **DO NOT INSTALL DAMAGED PRODUCT!** This luminaire has been properly packed so that no parts should have been damaged during transit. Inspect to confirm. Any part damaged or broken during or after assembly should be replaced.
- Recycle: For information on how to recycle LED electronic products, please visit www.epa.gov.
- These instructions do not purport to cover all details or variations in equipment nor to provide every possible contingency to meet in connection with installation, operation, or maintenance. Should further information be desired or should particular problems arise which are not covered sufficiently for the purchaser's or owner's purposes, this matter should be referred to Acuity Brands Lighting, Inc.




WARNING
RISK OF ELECTRIC SHOCK

- ✓ Disconnect or turn off power before installation or servicing.
- ✓ Verify that supply voltage is correct by comparing it with the luminaire label information.
- ✓ Make all electrical and grounded connections in accordance with the National Electrical Code (NEC) and any applicable local code requirements.
- ✓ All wiring connections should be capped with UL approved recognized wire connectors.




WARNING
RISK OF BURN

- ✓ Allow lamp/fixture to cool before handling. Do not touch enclosure or light source.
- ✓ Do not exceed maximum wattage marked on luminaire label.
- ✓ Follow all manufacturer's warnings, recommendations and restrictions for: driver type, burning position, mounting locations/methods, replacement and recycling.



CAUTION
RISK OF INJURY

- ✓ Wear gloves and safety glasses at all times when removing luminaire from carton, installing, servicing or performing maintenance.
- ✓ Avoid direct eye exposure to the light source while it is on.



CAUTION
RISK OF FIRE

- ✓ Keep combustible and other materials that can burn, away from lamp/lens.
- ✓ Do not operate in close proximity to persons, combustible materials or substances affected by heat or drying.



CAUTION: RISK OF PRODUCT DAMAGE

- ✓ Never connect components under load.
- ✓ Do not mount or support these fixtures in a manner that can cut the outer jacket or damage wire insulation.
- ✓ Unless individual product specifications deem otherwise: Never connect an LED product directly to a dimmer packs, occupancy sensors, timing devices, or other related control devices. LED fixtures must be powered directly off a switched circuit.
- ✓ Unless individual product specifications deem otherwise: Do not restrict fixture ventilation. Allow for some volume of airspace around fixture. Avoid covering LED fixtures with insulation, foam, or other material that will prevent convection or conduction cooling.
- ✓ Unless individual product specifications deem otherwise: Do not exceed fixtures maximum ambient temperature.
- ✓ Only use fixture in its intended location.
- ✓ LED products are Polarity Sensitive. Ensure proper Polarity before installation.
- ✓ Electrostatic Discharge (ESD): ESD can damage LED fixtures. Personal grounding equipment must be worn during all installation or servicing of the unit.
- ✓ Do not touch individual electrical components as this can cause ESD, shorten lamp life, or alter performance.
- ✓ Some components inside the fixture may not be serviceable. In the unlikely event your unit may require service, stop using the unit immediately and contact an ABL representative for assistance.
- ✓ Always read the fixtures complete installation instructions prior to installation for any additional fixture specific warnings.

Please see product specific installation instructions for additional warnings or any applicable FCC or other regulatory statements.

Failure to follow any of these instructions could void product warranties. For a complete listing of product Terms and Conditions, please visit www.acuitybrands.com.

Our Brands	Indoor/Outdoor Lithonia Lighting Carandini Holophane RELOC	Indoor Lighting Gotham Mark Architectural Lighting Peerless Renaissance Lighting Winona Lighting	Outdoor Lighting American Electric Lighting Antique Street Lamps Hydrel Tersen	Controls DARK TO LIGHT Lighting Control & Design ROAM Sensor Switch Synergy
-------------------	---	--	---	---

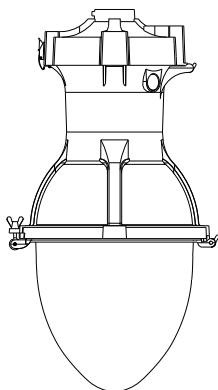
Acuity Brands Lighting, Inc. assumes no responsibility for claims arising out of improper or careless installation or handling of its products.

ABL LED General Warnings, Form No. 503.203

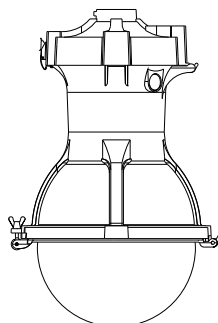
© 2011 Acuity Brands Lighting, Inc. All rights reserved. 3/15/11

AFTER INSTALLATION DELIVER THIS MANUAL TO OWNER

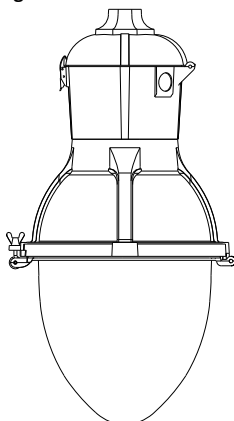
Converts the Following HID To LED:



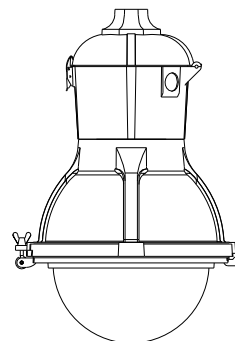
Esplanade
(ESU)



Boardwalk
(BWU)



Memphis
(MPU)



Port Huron
(PHU)

GR1491B

IMPORTANT SAFETY INSTRUCTIONS

WARNING – READ THESE INSTRUCTIONS CAREFULLY BEFORE ATTEMPTING TO INSTALL OR MAINTAIN THIS FIXTURE. WORK MUST BE DONE BY QUALIFIED PERSONNEL.

WARNING – BE CERTAIN THAT ALL ELECTRICAL POWER IS DISCONNECTED FROM THE FIXTURE BEFORE INSTALLING OR MAINTAINING THE FIXTURE.

WARNING – FOLLOW LAMP MANUFACTURER'S OPERATING AND MAINTENANCE INSTRUCTIONS.

**FAILURE TO FOLLOW THESE WARNINGS
MAY RESULT IN DEATH, INJURY OR SIGNIFICANT
PROPERTY DAMAGE.**

1. INTRODUCTION.

1.1 Product Description.

- This pole mounted luminaire retrofit kit is designed using LED's which have a long life expectancy.
- This fixture must be serviced by trained electrical personnel.
- This device complies with Part 15 of the FCC Rules. Operation is subject to the following two conditions: (1) this device may not cause harmful interference, and (2) this device must accept any interference received, including interference that may cause undesired operation.

1.2 Alternate Information Sources.

Holophane
Field Service Department
P.O. Box 3004
Newark, OH 43058-3004
(740) 349-4182

2. INSTALLATION.

2.1 Tools and Material Required.

2.1.1 Tools

DESCRIPTION	USE
3/8" Drive Socket	Removal and installation of fasteners
1/4" Drive Socket	Removal and installation of fasteners
Flat Blade Screw driver	Removal and installation Molex Socket
Torque Wrench	#10-32 fasteners

CAUTION

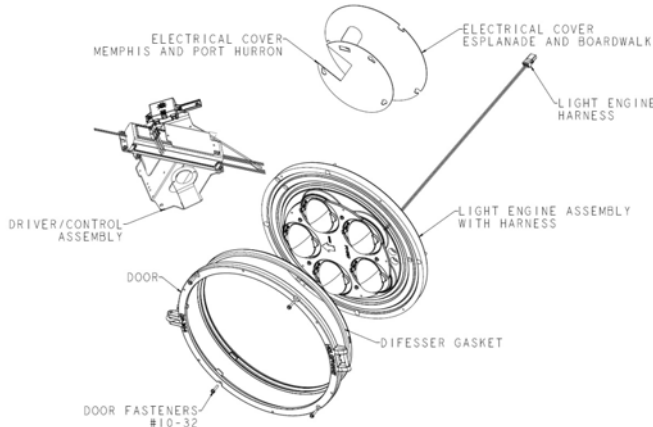
THE LED'S ARE COVERED BY OPTICAL GLASS/GASKET ASSEMBLY. DO NOT REMOVE THE OPTICAL GLASS/GASKET ASSEMBLY AT ANY TIME DURING THE RETROFIT.

DO NOT TOUCH THE LED CONNECTORS OR THE YELLOW SURFACE OF THE LED AT ANY TIME DURING INSTALLATION.

2.1.2 Material (see Figure 1)

DESCRIPTION	QUANTITY
Light Engine Assembly	QTY 1
Door Assembly	QTY 1
Silicone Diffuser Gasket	QTY 1
Driver/Controls Assembly	QTY 1
Instruction Manual	QTY 1
#10-32 Fastener	QTY 4
Electrical Covers	QTY 2
NEMA Label	QTY 1

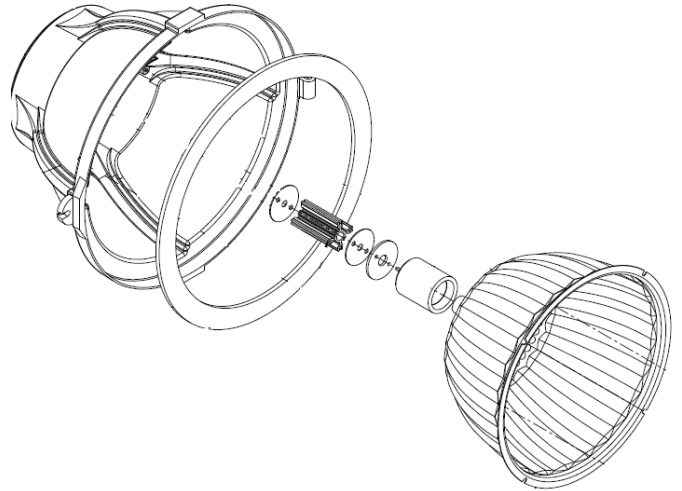
Figure 1



electrical wiring and connections to the terminal block and repair as needed (See Fig 4).

- Remove the glass refractor from the existing door. Note: the glass diffuser will be reused to complete the retrofit assembly.

Figure 2



OPTICS ORIENTATION NOTES

Some of the fixtures in this series are equipped with optical components that produce distributions of light that are not symmetric and are intended to be aimed by orienting the prismatic refractor a specific direction. There is a molded-in "Street Side" marking on the glass or silicone gasket, align this with the Street Side" marking on the LED casting and point this side toward the street.

2.2 Existing Luminaire Disassembly.

2.2.1 Ensure that power is off to the pole and light fixture. Remove the optical globe from the existing luminaire; inspect to determine that it is in good working condition. It will be used to complete the luminaire retrofit. Remove the following from the existing luminaire and discard (adhering to pertinent local regulations) components except where noted.

- Existing light engine assembly (bulb, reflector, etc.) (See Fig. 2).
- Electrical gear (ballast, transformer, driver, etc.) (See Fig. 3). Note: Keep existing photo controller if intended to reuse. Note: Keep and reuse 1/4-20 fasteners to reassemble the retrofit kit driver/controls assembly.
- Remove the existing electrical cover with label socket plate (See Fig 4). Note: Disconnect the Molex electrical connector from the cover by using a flat blade screw driver to compress the tangs on the connector. The Molex connector will be reinstalled into a new electrical cover plate to complete the retrofit. Leave the electrical terminal block installed in the luminaire. The cover fasteners will be reused to complete the retrofit installation in a later step. Inspect the incoming

Figure 3

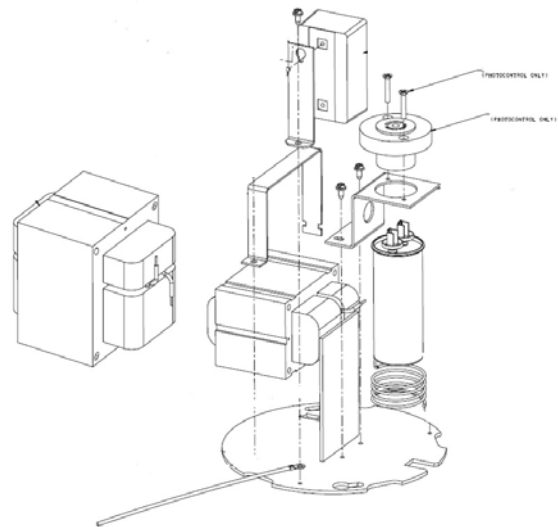
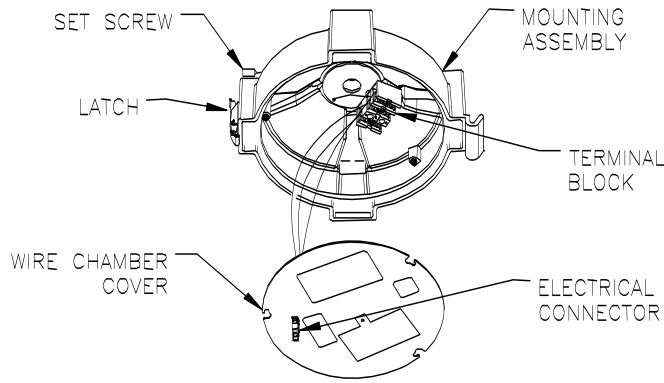


Figure 4



GR1492

3. Retrofit Installation

3.1.1 Ensure the existing luminaire is disassembled and free of debris and in good condition before continuing.

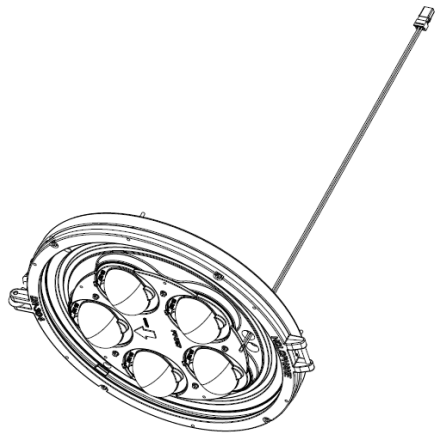
3.1.2 Unpack the retrofit kit and inspect the parts to ensure all items are identified (See Table 2).

3.2 Installation of the Door/Glass Assembly

3.2.1 Remove the light engine assembly from the retrofit packaging. (See Fig 5)

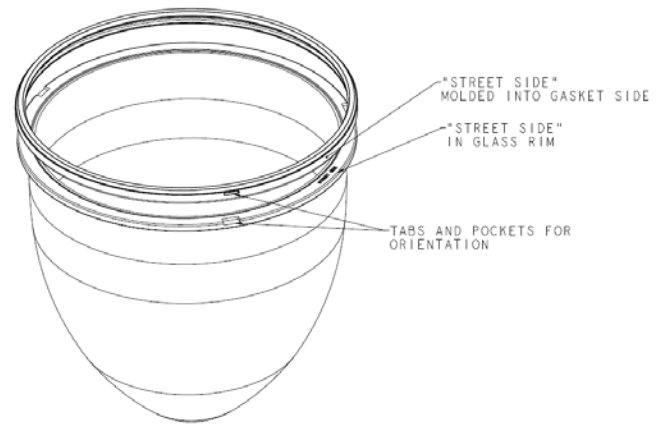
3.2.2 Remove the 4 #10-32 fasteners that secure the door to the light engine assembly. Remove the door and secure the fasteners to be reused in later steps.

Figure 5



have specific orientation marks. If equipped, align the gasket accordingly. (See Fig. 6)

Figure 6



3.2.4 Place the light engine assembly on a flat surface with the optics facing upwards. Ensure the light engine harness is not pinched or damaged during this step.

3.2.5 Carefully lower the glass refractor, with installed gasket, onto the light engine assembly plate. The gasket on the glass will seat into one of the two concentric gasket channels on the cast aluminum light engine plate. Make sure the gasket is seated properly and that the glass is properly oriented. The gasket is marked with "STREET SIDE" on the side surface of the gasket. This should be aligned with the appropriate indicators on the glass. (See Fig. 7)

Figure 7

3.2.3 From step 2.2.1, clean the refractor glass and remove any gasket material from the rim/lip of the glass. **CAUTION!** Glass lip may have sharp edges. Use appropriate protective wear.

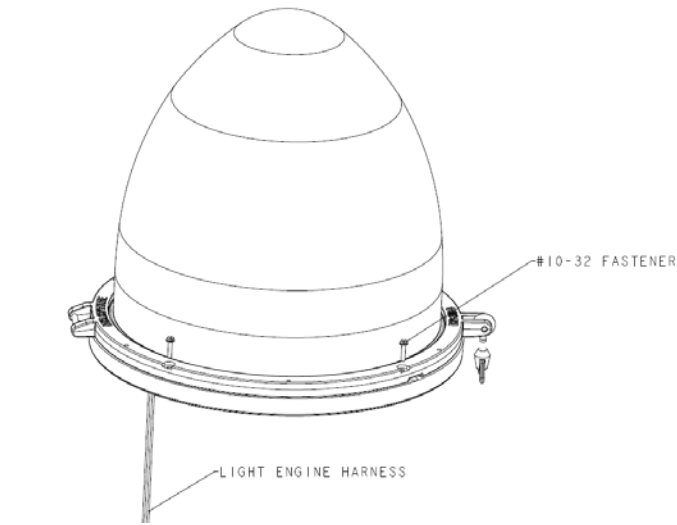
3.2.3 Remove the silicone gasket from the retrofit packaging and install the gasket on the lip of the glass refractor. Some glass may

3.2.6 Lower the new door over the glass refractor. The text on the door should be facing upwards. The wing nut assembly (See Fig. 7)

will indicate the street side orientation for the door. The door should fit over the glass refractor and over the gasket on the glass refractor lip.

3.2.7 Reinstall the four #10-32 fasteners that were removed from the retrofit kit in step 3.2.1. Torque fasteners to 25-30 in-lbs (See Fig. 8).

Figure 8



3.2.8 Install the newly assembled door/glass assemble onto the existing housing in the same manner as it was removed in step 2.2.1.

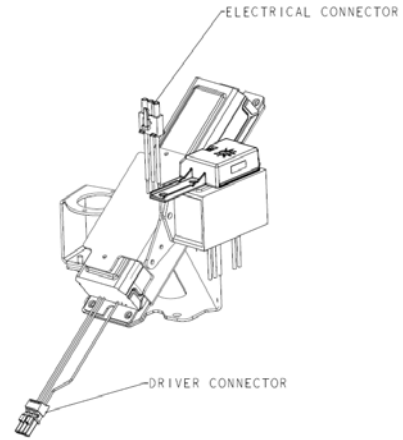
3.2.9 Before swinging the door/glass assembly into position, make sure the light engine harness passes through the electrical access hole at the top of the housing.

3.2.10. Swing the door/glass assembly closed against the existing luminaire housing and tighten the wing nut to latch the assembly

3.3 Installation of the Driver/Controls Assembly

3.3.1 Remove the pre-assembled driver/controls assembly from the pack. Note the driver and electrical connectors.

Figure 9



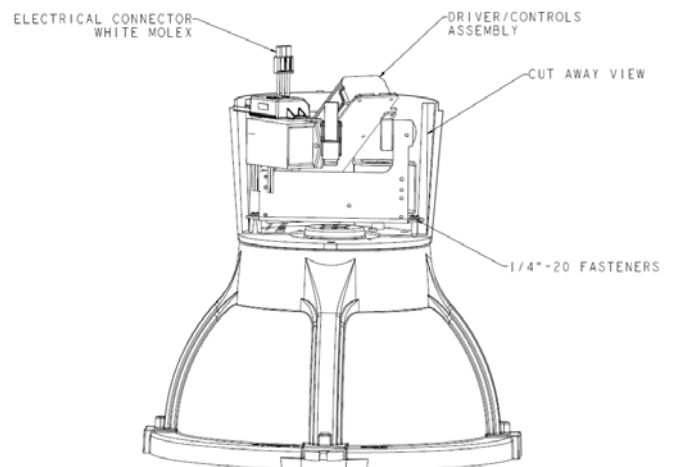
3.3.2 In the now empty existing electrical housing on the luminaire, lower the new driver/control assembly into the housing.

3.3.3 Locate the two cast in bosses in the bottom of the electrical housing and orient the driver/control assembly accordingly.

3.3.4 Ensure the light engine harness from step 3.2.9 now passes through the oval cut out on the bottom bracket of the new driver/control assembly (See Fig. 9). The will protect the harness from impingement.

3.3.5 Reinstall the fasteners (QTY 2) from step 2.2.1 to secure the new driver/control bracket (See Fig 10)

Figure 10

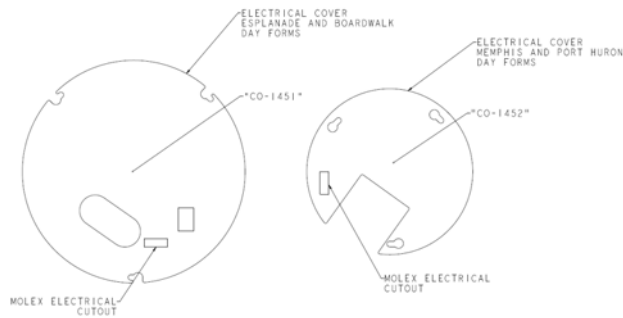


3.3.6 The new driver/control assembly has two electrical connections. A black 3-pole driver connector and a white Molex power connector. Insert the light engine harness connector (See Fig 5) into the black driver connector on the new driver/controls assembly (See Fig. 9). Ensure the connection is fully engaged.

3.3.7 If a photo controller in the housing is to be reused, install it to the PCR on the new driver/control assembly at this time.

3.3.8 The kit comes with two new electrical cover that replace the cover removed in step 2.2.1. Refer to page 3 of this manual and visually identify the form of the existing luminaire. Use CO-1451 if retrofitting a Boardwalk or Esplanade day form. Use CO-1452 if retrofitting a Memphis or Port Huron day form. The part number is printed on the covers. (See Fig. 11)

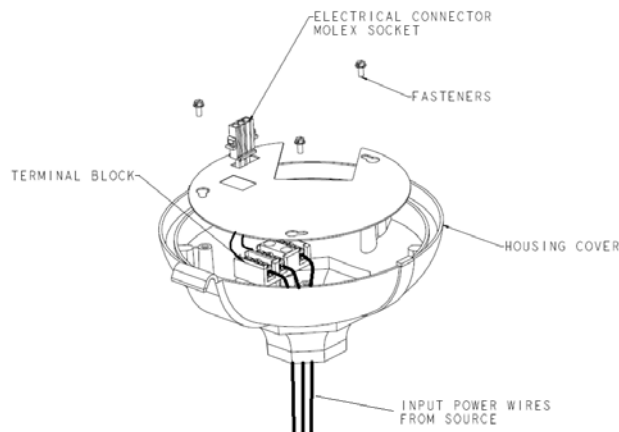
Figure 11



3.3.9 Reinstall the bulk head Molex connector into the new electrical cover. **IMPORTANT!** Ensure that the cover is oriented with the part number visible when installed (See Fig.12).

3.3.10 Once the Molex connector is reinstalled in the electrical cover, reinstall the electrical cover onto the housing cover using the existing fasteners removed in step 2.2.1 (See Fig. 12).

Figure 12



3.3.11 Connect the white Molex power lead from the new driver/control assembly into the Molex bulk head socket in the electrical plate.

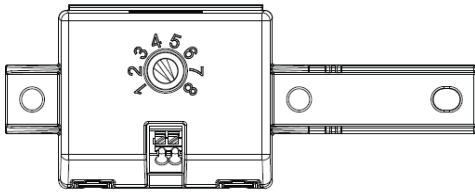
3.3.12 Close the luminaire and re-latch the clasp to ensure closure. Note: make certain all wires and other hardware are clear when closing the housing.

3.3.13 Electrically energize the fixture and check for proper operation

4 Limited Warranty and Limitation of Liability

The Holophane limited warranty and limitation of liability is published in the "Terms and Conditions" section of the current Holophane buyer's guide, and is available from your local Holophane sales representative.

4.1 Failure to properly install this Unit will void all warranties.



Field Adjustable Output Module

The Field Adjustable Output (AO) module is an onboard device that adjusts the light output and input wattage to meet site specific requirements, allowing a single fixture configuration to be flexibly applied in many different applications. The AO option is available on the ESL2, MPL2 and LTDRL2 series.

P10S - AS and AH			P10U - AS and AH			P20S - AS and AH		
AO Position	% Lumens	% Wattage	AO Position	% Lumens	% Wattage	AO Position	% Lumens	% Wattage
8	100%	100%	8	100%	100%	8	100%	100%
7	100%	100%	7	100%	100%	7	100%	100%
6	97%	97%	6	98%	97%	6	97%	96%
5	86%	85%	5	86%	85%	5	86%	83%
4	74%	73%	4	75%	72%	4	75%	71%
3	62%	61%	3	63%	61%	3	63%	58%
2	50%	49%	2	51%	49%	2	50%	46%
1	36%	37%	1	38%	37%	1	37%	34%

P20U - AS ONLY			P30S - AS and AH			P35S - AS and AH		
AO Position	% Lumens	% Wattage	AO Position	% Lumens	% Wattage	AO Position	% Lumens	% Wattage
8	100%	100%	8	100%	100%	8	100%	100%
7	100%	100%	7	100%	100%	7	100%	100%
6	98%	98%	6	97%	96%	6	97%	94%
5	88%	86%	5	88%	84%	5	88%	82%
4	77%	74%	4	78%	72%	4	78%	69%
3	65%	62%	3	67%	60%	3	67%	56%
2	54%	51%	2	55%	48%	2	55%	44%
1	41%	40%	1	43%	36%	1	42%	33%

P40S - AS and AH			P50S - AS and AH			P60S - AS and AH		
AO Position	% Lumens	% Wattage	AO Position	% Lumens	% Wattage	AO Position	% Lumens	% Wattage
8	100%	100%	8	100%	100%	8	100%	100%
7	100%	100%	7	100%	100%	7	100%	100%
6	96%	95%	6	95%	91%	6	98%	93%
5	87%	82%	5	86%	79%	5	92%	82%
4	76%	70%	4	76%	67%	4	83%	68%
3	64%	58%	3	65%	56%	3	73%	56%
2	51%	46%	2	52%	44%	2	61%	44%
1	39%	35%	1	40%	32%	1	47%	33%



Acuity Lighting Group, Inc.
3825 Columbus Rd. S.W. Granville, OH 43023

IM-397 1/21 ©2016 Acuity Lighting Group Inc.

ALL RIGHTS RESERVED.
Visit our web site at www.holophane.com
Printed in USA