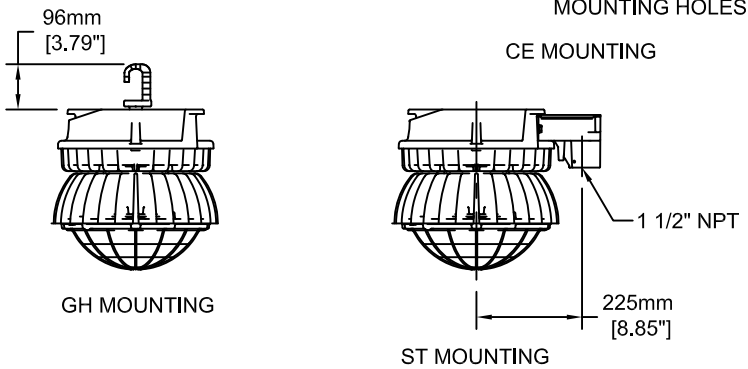
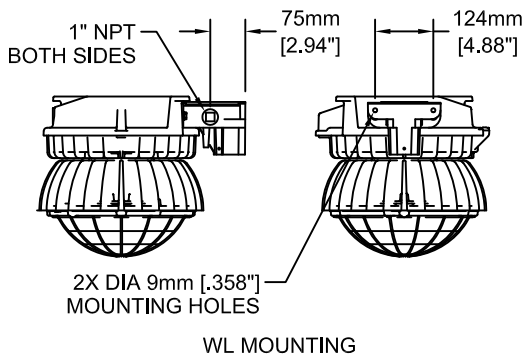
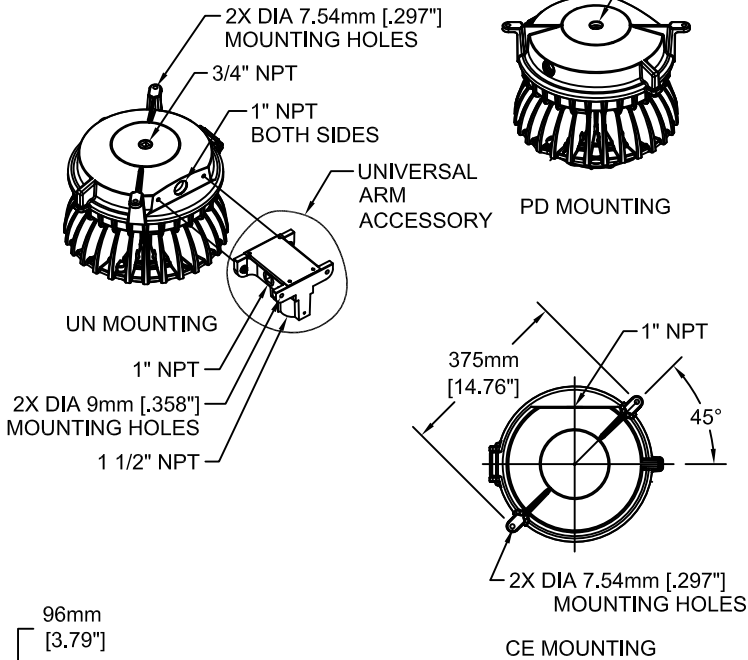
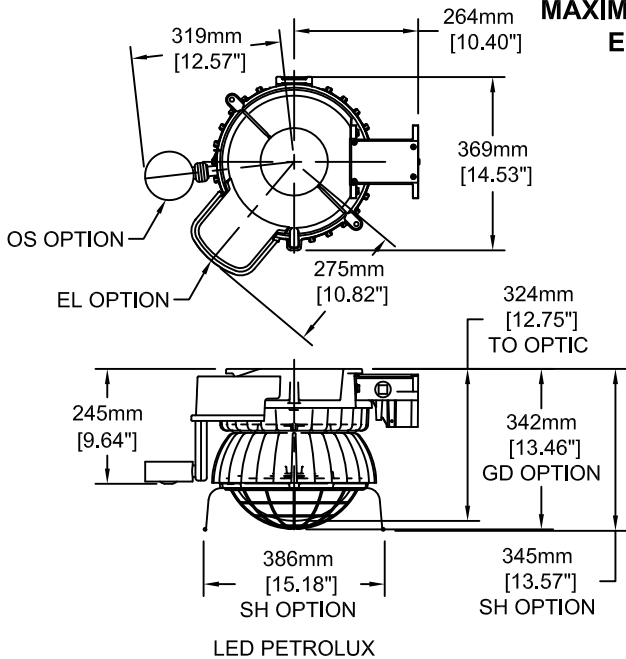


**MAXIMUM WEIGHT = 45 LBS.
EPA = 1.21 SQ. FT.**



**LED PETROLUX®
WET LOCATION**

HOLOPHANE®
LEADER IN LIGHTING SOLUTIONS
An Acuity Brands Company

© 2009 Acuity Brands Lighting, Inc., All Rights Reserved

THIS DRAWING, WHEN APPROVED, SHALL BECOME THE COMPLETE SPECIFICATION FOR THE MATERIAL TO BE FURNISHED BY HOLOPHANE OR ITS SUPPLIER. IT IS THE RESPONSIBILITY OF THE CUSTOMER TO BE SUPPLIED ONLY AFTER APPROVAL BY THE CUSTOMER IN WRITING. ON POLE ORDERS AN ANCHOR BOLT TEMPLATE PRINT WILL BE SUPPLIED WITH EACH ANCHOR BOLT ORDER TO MATCH THE POLE PROVIDED. THIS PRINT IS THE PROPERTY OF HOLOPHANE AND IS LOANED TO THE CUSTOMER FOR THE EXCLUSIVE USE OF THE PROJECT. IT IS NOT TO BE REPRODUCED, COPIED, OR USED IN ANY WAY DETRIMENTAL TO OUR INTERESTS, AND ONLY IN CONNECTION WITH MATERIAL FURNISHED BY HOLOPHANE.

EXAMPLE: PLED 98 35 5K AS UN NA G L5H 55C DM GD

PLED

LUMINAIRE
PLED = LED PETROLUX
WET LOCATION

Step 2: QUANTITY
98 = 98 LED
70 = 70 LED

Step 3: DRIVE CURRENT
35 = 350mA DRIVER

Step 4: COLOR TEMPERATURE
4K = 4000K CCT +/-250
5K = 5000K CCT +/-250

Step 5: VOLTAGE
AS = AUTO SENSING (120-277)
12 = 120V
20 = 208V
24 = 240V
27 = 277V
AH = AUTO SENSING (347/480)
34 = 347V
48 = 480V

Step 6: MOUNTING
CE = CEILING
GH = GASKETED HOOK
PD = PENDANT
ST = STANCHION
UN = UNIVERSAL. FOR WALL/STANCHION CAPABILITY, MUST ORDER P3US (UNIVERSAL MOUNT ARM) ACCESSORY
WL = WALL

OPTIONS
SEE SHEET 2

Step 10: MAXIMUM AMBIENT
40C = MAXIMUM 40C AMBIENT
55C = MAXIMUM 55C AMBIENT

Step 9: OPTICS
L1 = LONG AND NARROW, GLASS
L5 = TYPE 5, LOW ANGLE, GLASS
L5H = TYPE 5, HIGH ANGLE, GLASS
P1 = LONG AND NARROW, POLYCARBONATE
P5 = TYPE 5, LOW ANGLE, POLYCARBONATE
P5H = TYPE 5, HIGH ANGLE, POLYCARBONATE

Step 8: LUMINAIRE COLOR
G = GRAY
W = WHITE
CRG = CORROSION RESISTANT GRAY
CRW = CORROSION RESISTANT WHITE

Step 7: CORD AND PLUG LENGTH
03 = 3FT CORD AND WATERTIGHT PLUG
06 = 6FT CORD AND WATERTIGHT PLUG
10 = 10FT CORD AND WATERTIGHT PLUG
NA = NO CORD

ORDER #: _____
TYPE: _____
DRAWN: TAR
DATE: 9/10/12
DWG NO: PLED.DWG

Step 11: OPTIONS

BP = BUTTON STYLE PHOTOCONTROL
 DM = 0-10V DIMMING
 EG = INGRESS/EGRESS MARKER DECAL
 EL = EXTENDED DRIVER LIFE
 F1 = SINGLE FUSING
 F2 = DOUBLE FUSING
 GD = OPTIC GUARD
 OS = OCCUPANCY SENSOR
 SH = UPLIGHT SHIELD
 SP = SAMPLE PACK FOR GROUND TRANSPORT

ACCESSORIES

09189-* -SUB = SAFETY CHAIN KIT (* = 2, 3 FEET OF CHAIN)
 PLEDMI3502 = THREAD SEALANT (ORDER QTY 1 PER LUMINAIRE)
 PLEDGD = OPTIC GUARD
 P3US-GR = UNIVERSAL MOUNT ARM, GRAY
 P3US-WH = UNIVERSAL MOUNT ARM, WHITE
 P3US-CRG = UNIVERSAL MOUNT ARM, CORROSION RESISTANT GRAY
 P3US-CRW = UNIVERSAL MOUNT ARM, CORROSION RESISTANT WHITE

NOTE: UNIVERSAL MOUNT ARMS ARE COMPATIBLE WITH UN (UNIVERSAL) MOUNTING ONLY

Specifications**GENERAL DESCRIPTION**

- UL 1598 Listed for Wet Locations
- IP66 Ingress Protection (IP65 with OS Option)

UL1598 Maximum Ambient Temperature

VOLTAGE	MAXIMUM AMBIENT	
AS, 120-277	40°C	55°C
AH, 340/480	40°C	N/A

N/A = NOT AVAILABLE

OPTION AVAILABILITY

OPTIONS	VOLTAGE	AMBIENT	
		40°C	55°C
BP	120, 208-277, 347	40°C	N/A
DM	120-277	40°C	55°C
	347/480	40°C	N/A
EL	120-277	40°C	N/A
OS	120/277, 208/240, 347/480	40°C	N/A

N/A = NOT AVAILABLE

OPTICS

The luminaire shall include a totally gasketed and enclosed optical assembly composed of a reflector, LED board set and refractor.

HOUSING

All castings shall be low copper aluminum alloy and painted with polyester powder paint. The electrical cover shall be secured to the electrical housing with stainless steel screw and insert for electrical access. The electrical assembly is gasketed and totally enclosed.

MOUNTING

Luminaire has a universal mounting option, allowing for ceiling and pendant plus wall & stanchion mountings when used in conjunction with universal arm accessory.

NOTE

Limited warranty located at www.acuitybrands.com/CustomerResources/Terms_and_conditions.aspx

Actual performance may differ as a result of end-user environment and application.

Actual wattage may differ by +13%/-11% when operating between 120-480V +/- 10%.

Specification subject to change without notice.

LED PETROLUX®
WET LOCATION



© 2009 Acuity Brands Lighting, Inc., All Rights Reserved

THIS DRAWING, WHEN APPROVED, SHALL BECOME THE COMPLETE SPECIFICATION FOR THE MATERIAL TO BE FURNISHED BY HOLOPHANE. NO CHANGES WILL BE MADE TO THIS DRAWING WITHOUT WRITING. ON POLE ORDERS AN ANCHOR BOLT TEMPLATE PRINT WILL BE SUPPLIED WITH EACH ANCHOR BOLT ORDER TO MATCH THE POLE PROVIDED. THIS PRINT IS THE PROPERTY OF HOLOPHANE AND IS LOANED TO YOU FOR YOUR USE ONLY. IT IS NOT TO BE REPRODUCED OR USED IN ANY MANNER THAT WILL BE DETRIMENTAL TO OUR INTERESTS, AND ONLY IN CONNECTION WITH MATERIAL FURNISHED BY HOLOPHANE.

ORDER #:	
TYPE:	TAR
DRAWN:	9/10/12
DATE:	PLED.DWG
DWG NO:	