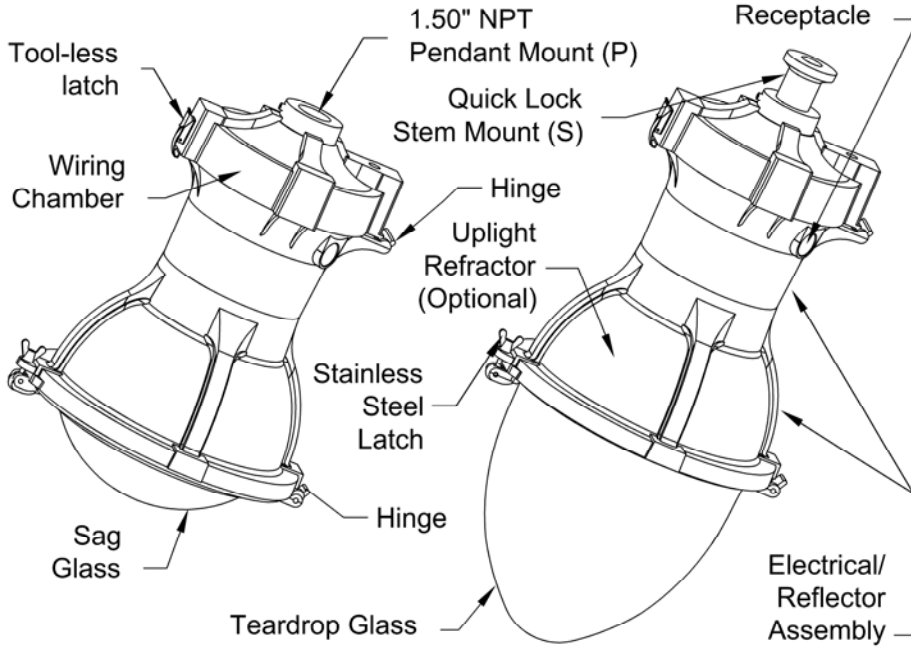


Maximum Effective Projected Area - 2.37 ft²
Maximum Weight - 69 lbs (Up Light Version)
Maximum Weight - 60 lbs (Down Light Version)

Optional NEMA
Turn-Lock
Photocontrol
Receptacle



Esplanade
Utility Tear Drop LED 2

DECORATIVE
OUTDOOR

EXAMPLE: ESL2 P10S 40K AS BK TG 3 S

ESL2

ORDERING INFORMATION:

LUMEN / WATTAGE PACKAGE
(SEE PERFORMANCE TABLE FOR DETAILS, Page 2)
P10S = DOWN LIGHT
P10U = DOWN LIGHT AND UP LIGHT
P20S = DOWN LIGHT
P20U = DOWN LIGHT AND UP LIGHT¹
P30S = DOWN LIGHT
P35S = DOWN LIGHT
P40S = DOWN LIGHT
P50S = DOWN LIGHT
P60S = DOWN LIGHT

VOLTAGE
AS = AUTO-SENSING 120 - 277 V
AH = AUTO-SENSING 347 - 480 V

COLOR TEMPERATURE
27K = 2700 CCT
30K = 3000 CCT
40K = 4000 CCT
50K = 5000 CCT

COLOR
BK = BLACK
DB = DARK BLUE
GR = GRAY
GH = GRAPHITE
GN = GREEN
PP = PRIME PAINT
WH = WHITE
BZ = BRONZE
TDC = TIGER DRYLAC COLOR (RAL^{***})
CMC = CUSTOM MATCH COLOR
XX = STD FINISH, TBD

DOOR AND GLASS
TG = TEARDROP² GLASS & DOOR
BG = BOWL GLASS & DOOR
SG = SAG GLASS & DOOR

OPTIC
3 = TYPE 3 ASYMMETRIC
5 = TYPE 5 SYMMETRIC

TOP ENTRY
P = 1.5 NPT PENDENT MOUNT
S = QUICK LOCK STEM MOUNT

OPTIONS

- AO = ADJUSTABLE OUTPUT DIMMING (NOT AVAILABLE WITH OPTIONS "P5", "P7", OR ANY OTHER DIMMING OPTION)³
- R = NEMA TWISTLOCK PHOTOCONTROL RECEPTACLE (3 PIN)
- P5 = NEMA TWISTLOCK PHOTOCONTROL RECEPTACLE (5 PIN)
- P7 = NEMA TWISTLOCK PHOTOCONTROL RECEPTACLE (7 PIN)
- PSC = SHORTING CAP (MUST BE USED WITH OPTION "R", "P5", OR "P7")
- PCS = DTL TWISTLOCK PHOTOCONTROL FOR SOLID-STATE LIGHTING 120-277V (MUST BE USED WITH OPTION "R", "P5", OR "P7")
- PCLL = DTL LONG LIFE TWISTLOCK PHOTOCONTROL FOR SOLID-STATE LIGHTING 120-277V (MUST BE USED WITH OPTION "R", "P5", OR "P7")
- P34 = DTL TWISTLOCK PHOTOCONTROL 347V (MUST BE USED WITH OPTION "R", "P5" OR "P7")
- P48 = DTL TWISTLOCK PHOTOCONTROL 480V (MUST BE USED WITH OPTION "R", "P5" OR "P7")
- FPDXX = FACTORY PROGRAMMED DRIVER (XX = PERCENTAGE OF LUMENS OR WATTS. SEE PAGE 3)
- DE = ROAM CONCIERGE DIMMING CONTROL (NOT AVAILABLE WITH VOLTAGE CODE AH, OR ANY OTHER PHOTOCONTROL OR DIMMING OPTION)
- PND = 0-10V PART NIGHT DIMMING (AS VOLTAGE ONLY, MUST BE USED WITH OPTION "R")
- DS = 30 INCH DIAMETER DEEP SKIRT FOR CUTOFF REQUIREMENT
- SS = 30 INCH DIAMETER SHALLOW SKIRT FOR CUTOFF REQUIREMENT
- L1H = 3FT PREWIRED LEADS
- L10 = 10FT PREWIRED LEADS
- L20 = 20FT PREWIRED LEADS
- L25 = 25FT PREWIRED LEADS
- L30 = 30FT PREWIRED LEADS
- NL2X2 = 2"x2" ANSI WATTAGE LABEL
- NL3X3 = 3"x3" ANSI WATTAGE LABEL

ACCESSORIES

- LT3HSS90 = HOUSE SIDE SHIELD, 90 DEGREE (AVAILABLE ON P10S, P10U, P20S, P20U, P30S, AND P35S)
- LT3HSS120 = HOUSE SIDE SHIELD, 120 DEGREE (AVAILABLE ON P10S, P10U, P20S, P20U, P30S, AND P35S)
- LT3HSS180 = HOUSE SIDE SHIELD, 180 DEGREE (AVAILABLE ON P10S, P10U, P20S, P20U, P30S, AND P35S)
- LT5HSS90 = HOUSE SIDE SHIELD, 90 DEGREE (AVAILABLE ON P40S, P50S, AND P60S)
- LT5HSS120 = HOUSE SIDE SHIELD, 120 DEGREE (AVAILABLE ON P40S, P50S, AND P60S)
- LT5HSS180 = HOUSE SIDE SHIELD, 180 DEGREE (AVAILABLE ON P40S, P50S, AND P60S)

NOTES:

1. ONLY AVAILABLE WITH "AS" VOLTAGE
2. ONLY AVAILABLE IN TYPE 3
3. FOR AO DATA, REFER TO PAGE 7 OF INSTRUCTION SHEET ON WEBSITE (IM-396)



THIS DRAWING, WHEN APPROVED, SHALL BECOME THE COMPLETE SPECIFICATION FOR THE MATERIAL TO BE FURNISHED BY HOLOPHANE ON THE ORDER NOTED ABOVE. A UNIT OF SIMILAR DESIGN MAY BE SUPPLIED BUT ONLY AFTER APPROVAL BY THE CUSTOMER IN WRITING. ON POLE ORDERS AN ANCHOR BOLT TEMPLATE PRINT WILL BE SUPPLIED. THIS PRINT IS THE PROPERTY OF HOLOPHANE AND IS LOANED SUBJECT TO RETURN UPON DEMAND AND UPON EXPRESS CONDITION THAT IT WILL NOT BE USED DIRECTLY OR INDIRECTLY IN ANY WAY DETRIMENTAL TO OUR INTERESTS, AND ONLY IN CONNECTION WITH MATERIAL FURNISHED BY HOLOPHANE.

ORDER #:	
TYPE:	
DRAWN:	RAF
DATE:	2/17/2016
DWG NO:	LUM_ESL2

Performance Data. For skirt and house side shield options, consult factory or website.

LED Package	Glass	Distribution	System Watts	27K (2700K, 70 CRI)					30K (3000K, 70 CRI)					40K (4000K, 70 CRI)					50K (5000K, 70 CRI)				
				Lumens	LPW	B	U	G	Lumens	LPW	B	U	G	Lumens	LPW	B	U	G	Lumens	LPW	B	U	G
P10S	TG 3	T3S	57	6,947	122	1	3	3	7,101	125	1	3	3	7,451	131	1	3	3	7,400	130	1	3	3
	BG 3	T4M	57	6,731	118	2	3	3	6,880	121	2	3	3	7,220	127	2	3	3	7,170	126	2	3	3
	BG 5	T5S	57	7,087	124	3	3	2	7,244	127	3	3	2	7,601	133	3	3	3	7,549	132	3	3	3
	SG 3	T3S	57	6,822	120	1	3	3	6,973	122	1	3	3	7,317	128	1	3	3	7,266	127	1	3	3
	SG 5	T5S	57	7,164	126	3	2	1	7,322	128	3	3	1	7,683	135	3	3	1	7,631	134	3	3	1
P10U	TG 3	T3S	75	8,651	115	1	5	3	8,843	118	1	5	3	9,279	124	1	5	3	9,215	123	1	5	3
	BG 3	T4M	75	8,372	112	2	5	3	8,558	114	2	5	3	8,980	120	2	5	3	8,918	119	2	5	3
	BG 5	T5S	75	8,838	118	3	5	2	9,034	120	3	5	2	9,480	126	3	5	2	9,415	126	3	5	2
	SG 3	T3S	75	8,422	112	1	5	2	8,609	115	1	5	3	9,033	120	1	5	3	8,972	120	1	5	3
	SG 5	T5S	75	8,647	115	2	5	3	8,839	118	2	5	3	9,275	124	2	5	3	9,211	123	2	5	3
P20S	TG 3	T3S	83	9,610	116	2	3	3	9,823	118	2	3	3	10,308	124	2	3	3	10,237	123	2	3	3
	BG 3	T4M	83	9,312	112	2	3	4	9,519	115	2	3	4	9,988	120	2	3	4	9,919	120	2	3	4
	BG 5	T5S	83	9,804	118	3	3	3	10,021	121	3	3	3	10,515	127	4	3	3	10,443	126	4	3	3
	SG 3	T3S	83	9,437	114	1	3	3	9,646	116	2	3	3	10,122	122	2	3	3	10,053	121	2	3	3
	SG 5	T5S	83	9,910	119	3	3	2	10,130	122	3	3	2	10,630	128	3	3	2	10,557	127	3	3	2
P20U	TG 3	T3S	109	11,551	106	2	5	3	11,807	108	2	5	3	12,389	114	2	5	3	12,304	113	2	5	3
	BG 3	T4M	109	11,179	103	2	5	4	11,427	105	2	5	4	11,990	110	2	5	4	11,908	109	2	5	4
	BG 5	T5S	109	11,801	108	3	5	3	12,063	111	3	5	3	12,657	116	3	5	3	12,571	115	3	5	3
	SG 3	T3S	109	11,245	103	2	5	3	11,495	105	2	5	3	12,061	111	2	5	3	11,979	110	2	5	3
	SG 5	T5S	109	11,546	106	2	5	3	11,802	108	2	5	3	12,384	114	2	5	3	12,299	113	2	5	3
P30S	TG 3	T3S	118	12,634	107	2	3	3	12,914	109	2	3	3	13,551	115	2	3	3	13,458	114	2	3	3
	BG 3	T4M	118	12,242	104	2	3	4	12,513	106	2	3	4	13,130	111	3	3	5	13,040	111	3	3	5
	BG 5	T5S	118	12,888	109	4	3	3	13,174	112	4	3	3	13,823	117	4	3	3	13,729	116	4	3	3
	SG 3	T3S	118	12,406	105	2	3	3	12,681	107	2	3	3	13,307	113	2	3	3	13,215	112	2	3	3
	SG 5	T5S	118	13,028	110	3	3	2	13,317	113	3	3	2	13,974	118	4	3	2	13,879	118	4	3	2
P35S	TG 3	T3S	144	14,335	100	2	3	4	14,653	102	2	3	4	15,375	107	2	3	4	15,270	106	2	3	4
	BG 3	T4M	144	13,890	96	3	3	5	14,198	99	3	3	5	14,898	103	3	3	5	14,796	103	3	3	5
	BG 5	T5S	144	14,623	102	4	3	3	14,948	104	4	3	3	15,685	109	4	3	3	15,577	108	4	3	3
	SG 3	T3S	144	14,077	98	2	3	3	14,389	100	2	3	3	15,098	105	2	3	3	14,995	104	2	3	3
	SG 5	T5S	144	14,782	103	4	3	2	15,110	105	4	3	2	15,855	110	4	3	2	15,747	109	4	3	2
P40S	TG 3	T3S	140	15,649	112	3	3	4	15,996	114	3	3	4	16,785	120	3	3	4	16,670	119	3	3	4
	BG 3	T4M	140	14,746	105	3	4	5	15,073	108	3	4	5	15,816	113	3	4	5	15,707	112	3	4	5
	BG 5	T5S	140	15,484	111	4	3	4	15,827	113	4	3	4	16,608	119	4	4	4	16,494	118	4	4	4
	SG 3	T3S	140	14,937	107	2	3	4	15,268	109	2	3	4	16,021	114	2	3	4	15,911	114	2	3	4
	SG 5	T5S	140	16,071	115	4	3	3	16,427	117	4	3	3	17,237	123	4	3	3	17,119	122	4	3	3
P50S	TG 3	T3S	174	18,715	108	3	3	4	19,130	110	3	3	4	20,073	115	3	3	4	19,935	115	3	3	4
	BG 3	T4M	174	17,634	101	3	4	5	18,025	104	3	4	5	18,914	109	3	4	5	18,784	108	3	4	5
	BG 5	T5S	174	18,517	106	4	4	4	18,928	109	4	4	4	19,861	114	4	4	4	19,725	113	4	4	4
	SG 3	T3S	174	17,863	103	2	3	4	18,259	105	2	3	4	19,160	110	2	3	5	19,028	109	2	3	4
	SG 5	T5S	174	19,219	110	4	3	3	19,645	113	4	3	3	20,614	118	4	3	3	20,472	118	4	3	3
P60S	TG 3	T3S	242	22,997	95	3	3	5	23,508	97	3	3	5	24,667	102	3	3	5	24,497	101	3	3	5
	BG 3	T4M	242	21,670	90	3	4	5	22,150	92	3	4	5	23,244	96	3	4	5	23,083	95	3	4	5
	BG 5	T5S	242	22,755	94	5	4	5	23,259	96	5	4	5	24,409	101	5	4	5	24,239	100	5	4	5
	SG 3	T3S	242	21,951	91	3	3	5	22,438	93	3	3	5	23,545	97	3	3	5	23,383	97	3	3	5
	SG 5	T5S	242	23,617	98	4	3	3	24,141	100	4	3	3	25,331	105	4	3	3	25,157	104	4	3	3

S = Short M = Medium

Lumen Ambient Temperature Data

Lumen Ambient Temperature (LAT) Multipliers									
°C	P10U	P20U	P10S	P20S	P30S	P35S	P40S	P50S	P60S
0	1.04	1.05	1.04	1.05	1.06	1.07	1.06	1.07	1.09
10	1.03	1.03	1.03	1.03	1.04	1.04	1.04	1.04	1.05
20	1.01	1.01	1.01	1.01	1.01	1.01	1.01	1.01	1.02
25	1.00	1.00	1.00	1.00	1.00	1.00	1.00	1.00	1.00
30	0.99	0.99	0.99	0.99	0.99	0.99	0.99	0.99	0.98
40	0.97	0.97	0.97	0.97	0.96	0.95	0.96	0.95	0.94

Lumen Maintenance Data

Lumen Maintenance (same for all LED packages)				
Hours	0	25,000	50,000	100,000
Factor	1	0.9	0.84	0.75

2 of 4	ORDER #:	THIS DRAWING, WHEN APPROVED, SHALL BECOME THE COMPLETE SPECIFICATION FOR THE MATERIAL TO BE FURNISHED BY HOLOPHANE ON THE ORDER NOTED ABOVE. A UNIT OF SIMILAR DESIGN MAY BE SUPPLIED, BUT ONLY AFTER APPROVAL BY THE CUSTOMER IN WRITING. ON POLE ORDERS AN ANCHOR BOLT TEMPLATE PRINT WILL BE SUPPLIED WITH EACH ANCHOR BOLT ORDER TO MATCH THE POLE PROVIDED. THIS PRINT IS THE PROPERTY OF HOLOPHANE AND IS LOANED SUBJECT TO RETURN UPON DEMAND AND UPON EXPRESS CONDITION THAT IT WILL NOT BE USED DIRECTLY OR INDIRECTLY IN ANY WAY DETRIMENTAL TO OUR INTERESTS, AND ONLY IN CONNECTION WITH MATERIAL FURNISHED BY HOLOPHANE.	 <p>HOLOPHANE LEADER IN LIGHTING SOLUTIONS An Acuity Brands Company</p>	DECORATIVE OUTDOOR	Esplanade [®] Utility Tear Drop LED 2
	TYPE:				
	DRAWN: RAF				
	DATE: 2/17/2016				
DWG NO: LUM ESL2					

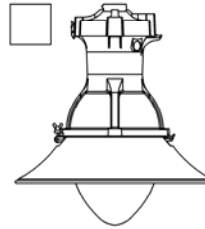
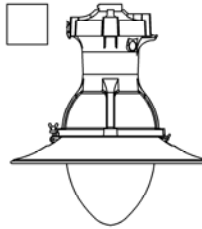
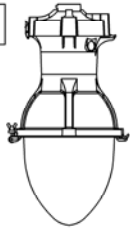
**Mark Appropriate
Box for Trim Option**

Standard

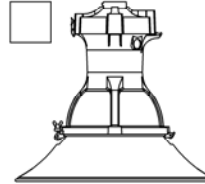
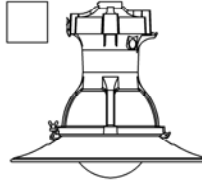
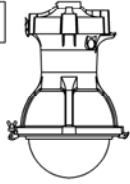
Shallow Skirt

Deep Skirt

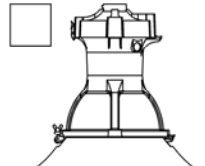
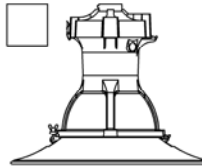
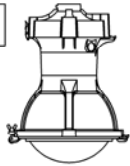
Teardrop Glass
(Asymmetric)



Bowl Glass
(Asymmetric)
(Symmetric)

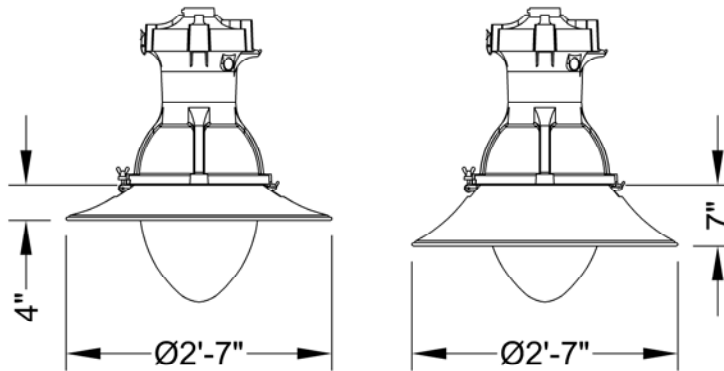


Sag Glass
(Asymmetric)
(Symmetric)



Skirt Dimensions

(For Teardrop, Bowl, and Sag glass)



Specifications

DESCRIPTION

The Esplanade luminaire is styled to replicate the "teardrop" luminaires that lighted boulevards in the first half of the 1900s. Designed for light control and ease of installation and maintenance, the Esplanade has a precision optical system for true street lighting performance.

WIRING CHAMBER

The wiring chamber has either a 1.50 inch NPT with a stainless steel set screw or a welded stem. The stem (Quick Lock Stem Mounting option) aids installation speed. A (3) station terminal block that accepts #14 through #2 wires and has a quick disconnect harness with removable electrical module is provided.

ELECTRICAL / REFLECTOR ASSEMBLY

The electrical / reflector assembly hinges down from the wiring chamber for ease in wiring and to facilitate the removal of the electrical module. The assembly is secured in place by a stainless steel latch. The unitized electrical module consists of the electronic driver and components mounted to an aluminum plate that is easily removed by loosening two screws in the base of the housing. The disconnect plug connects the ballast to the terminal block in the wiring chamber.

REFRACTOR / DOOR ASSEMBLY

The cast aluminum door supports a teardrop, bowl or sag shaped, thermal resistant borosilicate glass refractor that controls the light to provide an I.E.S. asymmetric (teardrop, bowl and sag glass) and symmetric (bowl and sag glass) distribution. I.E.S. asymmetric cut off distribution is available on the bowl glass with the decorative deep skirt option and the sag glass with either the decorative shallow or deep skirt option. The refractor assembly and decorative skirt (when applicable) assembly hinges from the electrical / reflector assembly and is latched by a tamper-resistant, color matched bracket and with nut assembly.

DRIVER

LED programmable dimmable driver located in the upper electrical housing.

FINISH / MATERIAL

The luminaire is finished with polyester powder paint to insure maximum durability. All castings utilize low copper aluminum for maximum corrosion resistance and all exposed hardware is stainless steel.

CERTIFICATION

CSA listing suitable for wet location up to 40°C. Consult factory for details.

Esplanade
Utility Tear Drop LED 2

DECORATIVE
OUTDOOR

HOLOPHANE
An Acuity Brands Company
LEADER IN LIGHTING SOLUTIONS

THIS DRAWING, WHEN APPROVED, SHALL BECOME THE COMPLETE SPECIFICATION FOR THE MATERIAL TO BE FURNISHED BY HOLOPHANE ON THE ORDER NOTED ABOVE. A UNIT OF SIMILAR DESIGN MAY BE SUPPLIED BUT ONLY AFTER APPROVAL BY THE CUSTOMER IN WRITING. ON POLE ORDERS AN ANCHOR BOLT TEMPLATE PRINT WILL BE SUPPLIED. THIS PRINT IS THE PROPERTY OF HOLOPHANE AND IS LOANED SUBJECT TO RETURN UPON DEMAND AND UPON EXPRESS CONDITION THAT IT WILL NOT BE USED DIRECTLY OR INDIRECTLY IN ANY WAY DETRIMENTAL TO OUR INTERESTS, AND ONLY IN CONNECTION WITH MATERIAL FURNISHED BY HOLOPHANE.

ORDER #:	
TYPE:	RAF
DRAWN:	2/17/2016
DATE:	LUM_ESL2
DWG NO:	