



**READ AND FOLLOW ALL SAFETY INSTRUCTIONS!
SAVE THESE INSTRUCTIONS AND DELIVER TO OWNER AFTER INSTALLATION**

- To reduce the risk of death, personal injury or property damage from fire, electric shock, falling parts, cuts/abrasions, and other hazards please read all warnings and instructions included with and on the fixture box and all fixture labels.
- Before installing, servicing, or performing routine maintenance upon this equipment, follow these general precautions.
- Installation and service of luminaires should be performed by a **qualified licensed electrician**.
- Maintenance of the luminaires should be performed by person(s) familiar with the luminaires' construction and operation and any hazards involved. Regular fixture maintenance programs are recommended.
- It will occasionally be necessary to clean the outside of the refractor/lens. Frequency of cleaning will depend on ambient dirt level and minimum light output which is acceptable to user. Refractor/lens should be washed in a solution of warm water and any mild, non-abrasive household detergent, rinsed with clean water and wiped dry. Should optical assembly become dirty on the inside, wipe refractor/lens and clean in above manner, replacing damaged gaskets as necessary.
- **DO NOT INSTALL DAMAGED PRODUCT!** This luminaire has been properly packed so that no parts should have been damaged during transit. Inspect to confirm. Any part damaged or broken during or after assembly should be replaced.
- Recycle: For information on how to recycle LED electronic products, please visit www.epa.gov.
- These instructions do not purport to cover all details or variations in equipment nor to provide every possible contingency to meet in connection with installation, operation, or maintenance. Should further information be desired or should particular problems arise which are not covered sufficiently for the purchaser's or owner's purposes, this matter should be referred to Acuity Brands Lighting, Inc.




WARNING
RISK OF ELECTRIC SHOCK

- ✓ Disconnect or turn off power before installation or servicing.
- ✓ Verify that supply voltage is correct by comparing it with the luminaire label information.
- ✓ Make all electrical and grounded connections in accordance with the National Electrical Code (NEC) and any applicable local code requirements.
- ✓ All wiring connections should be capped with UL approved recognized wire connectors.




WARNING
RISK OF BURN

- ✓ Allow lamp/fixture to cool before handling. Do not touch enclosure or light source.
- ✓ Follow all manufacturer's warnings, recommendations and restrictions for: driver type, burning position, mounting locations/methods, replacement and recycling.



CAUTION
RISK OF INJURY

- ✓ Wear gloves and safety glasses at all times when removing luminaire from carton, installing, servicing or performing maintenance.
- ✓ Avoid direct eye exposure to the light source while it is on.



CAUTION
RISK OF FIRE

- ✓ Keep combustible and other materials that can burn, away from lamp/lens.
- ✓ Do not operate in close proximity to persons, combustible materials or substances affected by heat or drying.

LED IMPORTANT SAFETY INSTRUCTIONS



CAUTION: RISK OF PRODUCT DAMAGE

- ✓ Never connect components under load.
- ✓ Do not mount or support these fixtures in a manner that can cut the outer jacket or damage wire insulation.
- ✓ Unless individual product specifications deem otherwise: Never connect an LED product directly to a dimmer packs, occupancy sensors, timing devices, or other related control devices. LED fixtures must be powered directly off a switched circuit.
- ✓ Unless individual product specifications deem otherwise: Do not restrict fixture ventilation. Allow for some volume of airspace around fixture. Avoid covering LED fixtures with insulation, foam, or other material that will prevent convection or conduction cooling.
- ✓ Unless individual product specifications deem otherwise: Do not exceed fixtures maximum ambient temperature.
- ✓ Only use fixture in its intended location.
- ✓ Electrostatic Discharge (ESD): ESD can damage LED fixtures. Personal grounding equipment must be worn during all installation or servicing of the unit.
- ✓ Do not touch individual electrical components as this can cause ESD, shorten lamp life, or alter performance.
- ✓ Some components inside the fixture may not be serviceable. In the unlikely event your unit may require service, stop using the unit immediately and contact an ABL representative for assistance.
- ✓ Always read the fixtures complete installation instructions prior to installation for any additional fixture specific warnings.

Please see product specific installation instructions for additional warnings or any applicable FCC or other regulatory statements.

Failure to follow any of these instructions could void product warranties. For a complete listing of product Terms and Conditions, please visit www.acuitybrands.com.

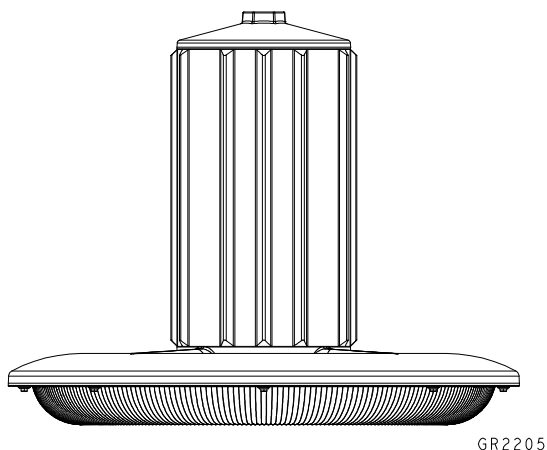
| | | | | |
|-------------------|-----------------------|-----------------------------|----------------------------|---------------------------|
| Our Brands | Indoor/Outdoor | Indoor Lighting | Outdoor Lighting | Controls |
| | Lithonia Lighting | Gotham | American Electric Lighting | DARK TO LIGHT |
| | Carandini | Mark Architectural Lighting | Antique Street Lamps | Lighting Control & Design |
| | Holophane | Peerless | Hydrel | ROAM |
| | RELOC | Renaissance Lighting | Tersen | Sensor Switch |
| | | Winona Lighting | | Synergy |

Acuity Brands Lighting, Inc. assumes no responsibility for claims arising out of improper or careless installation or handling of its products.

ABL LED General Warnings, Form No. 503.203

© 2011 Acuity Brands Lighting, Inc. All rights reserved. 12/01/11

Figure 1



1.0 Introduction

1.1 Product Description

The Vantage LED fixtures have been designed, tested, and certified in accordance with applicable UL, CSA, and NSF standards depending on configuration. All configurations are suitable for use in wet locations.

1.2 Alternate Information Sources

Holophane
Field Service Department
P.O. Box 3004
Newark, OH 43058-3004
(740) 345-9631

2.0 Installation

2.1 Tools and Materials Required

TABLE 1. Installation Tools

| DESCRIPTION | USE |
|--------------|---------------------|
| 5/16" socket | Hook Retainer Screw |

TABLE 2. Maintenance Tools

| DESCRIPTION | USE |
|----------------------|------------------------|
| 3/8" socket | Serviceable Components |
| 5/16" socket | Hook Retainer Screw |
| 15" socket extension | Top Cap Screw |

2.2 Mounting with Pendant (see figures 2)

2.2.1 Use provided thread sealant. Apply sealant to the first four threads of 3/4" NPT entry on fixture.

2.2.2 Install fixture onto 3/4" NPT or NPS rigid conduit, minimum 6 turns until tight. Rigid conduit must be mounted to a suitable structure capable of supporting the full weight of the luminaire in accordance with local codes.

2.2.2 Tighten set screw to 25-35 in-lbs.

WARNING

FAILURE TO TIGHTEN SET SCREW COULD CAUSE FIXTURE TO FALL RESULTING IN INJURY, DEATH, OR SERIOUS PROPERTY DAMAGE.

AVERTISSEMENT

NE PAS SERRER CORRECTEMENT LA VIS DE RÉGLAGE PEUT PROVOQUER LA CHUTE DE LA FIXATION ET CAUSER DES BLESSURES, PROVOQUER LA MORT OU DE SÉRIEUX DOMMAGES MATÉRIELS.

2.3 Mounting with Hook (see figure 3)

2.3.1 Hang the fixture on a hook or loop that is properly sized and attached to support the weight of the luminaire.

2.3.2 Tighten the retaining screw until it is snug to prevent it from backing out.

2.3.3 Attach to power supply cord in accordance with all local electrical codes.

2.3.4 Energize power to the fixture and check for proper operation.

Figure 2

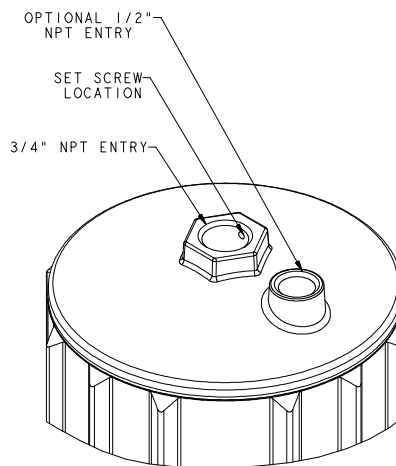
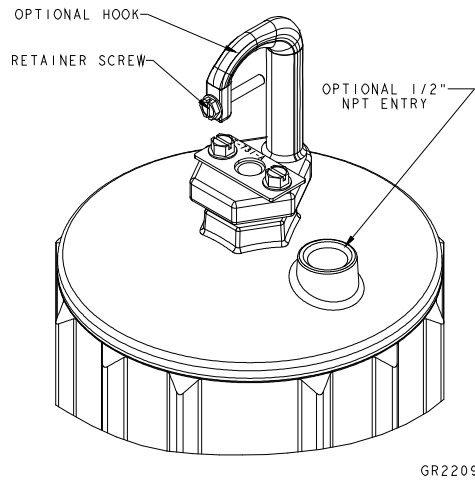


Figure 3

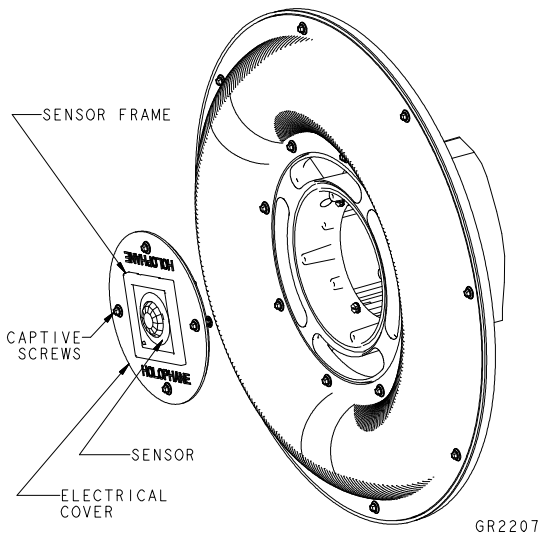


2.4 Electrical Connection with Pendant (see figure 4)

2.4.1 Make all wiring connections in accordance with all local electrical codes.

2.4.6 Energize power to the fixture and check for proper operation.

Figure 4

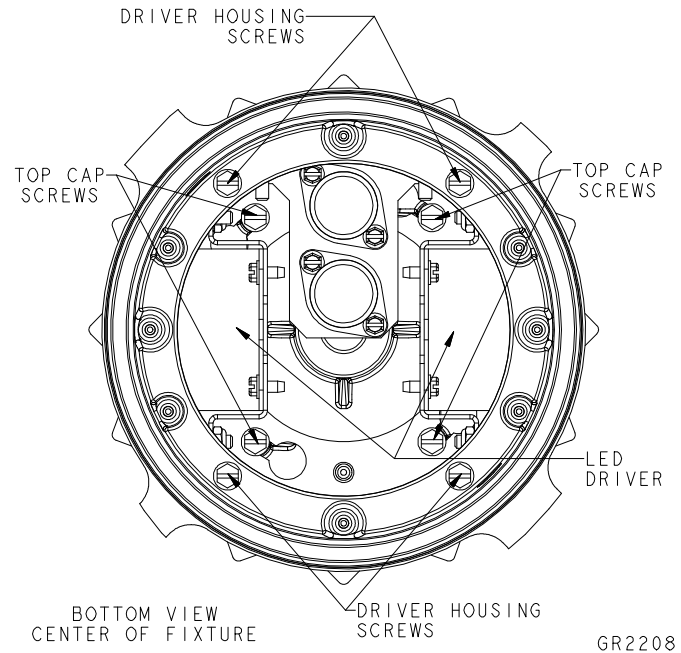


2.5 Dimming Option (see figure 2 and 3)

2.5.1 Bring dimming leads into fixture through the 1/2 inch NPT opening on the fixture top cap. Holophane recommends a 1/2 inch NPT cable gland properly sized for your dimming leads that matches or exceeds the fixture IP rating.

2.5.2 Connect dimming leads to the leads on the LED drivers matching gray and violet leads. These leads are accessible by removing the electrical cover. It is necessary to connect dimming leads with proper polarity. (+ Purple, - Violet)

Figure 5



3.0 Maintenance

3.1 Electrical Component Replacement (Driver, Surge protector) (see figure 4 and figure 5)

3.1.1 Disconnect power to the luminaire location before maintenance.

3.1.2 Remove fixture from its mount to avoid any contamination with your facility.

3.1.3 Loosen (4) electrical cover screws and lower cover.

3.1.4 Tag all leads before disconnecting. Remove (4) driver housing screws (see figure 5)

3.1.5 Remove (4) screws attaching top cap using a socket extension. Lift and rotate top cap counter clockwise while looking at the top of the fixture to remove cap.

3.1.6 Serviceable components are now accessible from the ends of the driver housing.

3.1.7 Loosen nuts attaching the component you are replacing and slide the component out from either end of driver housing.

3.1.8 Replace components using Holophane approved replacement parts.

3.1.9 Reassemble driver housing to top cap by starting screws in top cap first. Lower and turn the cap clockwise until it fits into place on driver housing

3.1.10 Tighten top cap screws (see figure 5)

3.1.11 Take special care to avoid pinching wires and ensure sealed joints are aligned to maintain IP rating.

3.1.12 Reconnect driver housing to optic housing via the driver housing screws (see figure 5)

3.1.13 Reconnect electrical and ground leads

3.1.14 Reinstall electrical cover and tighten cover screws, ensuring all leads are completely inside enclosure and not pinched.

3.2 Sensor Option Replacement (see figure 3)

3.2.1 Disconnect power to the luminaire location before maintenance.

3.2.2 Remove fixture from its mount to avoid any contamination with your facility.

3.2.3 Remove sensor frame and unscrew (4) screws attaching sensor to electrical cover.

3.2.4 Tag all leads before disconnecting.

3.2.5 Replace components using Holophane approved replacement parts.

3.2.6 Reconnect electrical leads, reconnect sensor to cover

3.2.7 Reinstall sensor frame over sensor.

3.3 Optic Replacement (see figure 6)

3.3.1 Align optic part number with center of any LED PCBA

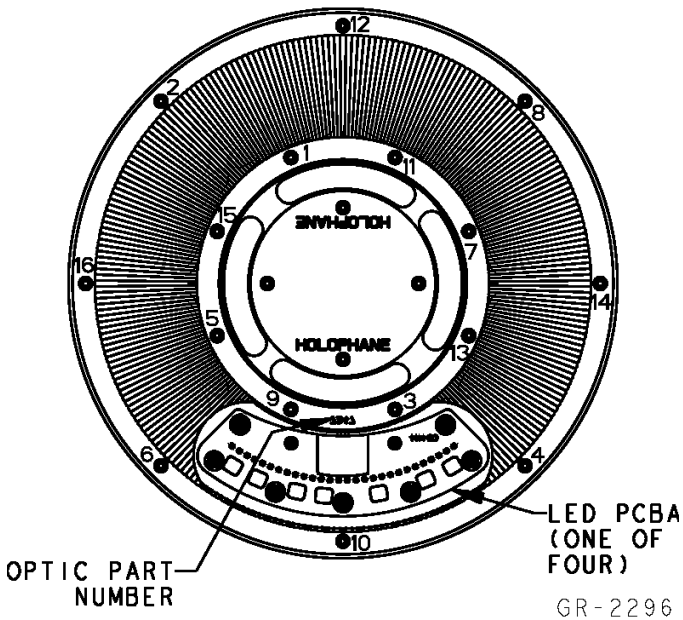
FOLLOW CRITICAL NUMBERED ORIENTATION

3.3.2 Torque each screw to 10 in-lbs

FOLLOW CRITICAL NUMBERED ORIENTATION

3.3.3 Retorque each screw to 20 in-lbs

Figure 6



4.0 Limited Warranty and Limitation of Liability

The Holophane limited warranty and limitation of liability is published in the "Terms and Conditions" document at <http://www.holophane.com/>.



Acuity Brands Lighting, Inc.
3825 Columbus Rd., Granville, OH 43023

IM-354-B 7/23 ©2014 Acuity Brands Lighting, Inc.
All Rights Reserved.

Visit our web site at www.holophane.com