

MIGHTY MO[®] 20 CABLE MANAGEMENT SYSTEM

TELCO ROOM APPLICATION GUIDE

designed to be better.™



MIGHTY MO® 20 is a complete cable management solution that is designed to complement the entire Legrand® Product Offering. The Mighty Mo 20 creates a physical infrastructure that maximizes performance, while allowing for infinite cable routing schemes. No two networks are the same, and Mighty Mo 20, with its long list of accessories, can enable countless configurations for equipment and cable pathways.

Mighty Mo 20 has been designed with four major physical infrastructure guidelines; speed, efficiency, performance, and flexibility.

1. Speed of assembly—Channel racks allow for single person build
2. Efficiency of cable management—Ensuring proper cable support and bend radius
3. Performance of the network—Stabilizing cable destinations
4. Flexibility—Build unlimited cable pathways throughout the system

Some of the accessories and features that enable the four guidelines include:

Speed of Assembly

- Speed nuts - eliminate the need for loose hardware
- Grounding and bonding- built-in feature creates bond during assembly
- Vertical manager hanging clip - eliminates the need to hold manager when mounting
- Cablofil and tubular runway mounting brackets - toolless assembly, eliminates threaded rod

Efficiency of Cable Management

- Zero RU horizontal manager - creates immediate tie off of cables at the switch card
- 180° Bend limiting clip - ensures bend radius of fiber into vertical manager
- Hexguard™ cable passage - allows cable to pass through hex pattern sidewall safely
- Universal cable trough - creates a fiber raceway within the rack

Performance of the Network

- Large capacity vertical managers - increase cable routing and airflow
- Integral and seamless integration of all products - all Legrand products can be easily mounted
- Airflow baffles for side breathing equipment - redirect air to maintain cold aisle-hot aisle separation

Flexibility

- Patented hex pattern sidewalls - allow infinite cable lacing locations
- Depth of channels ranging up to 30" deep - enables servers and switch mounting in channel rack
- Heights available up to 9' - more rack space in the same floor space



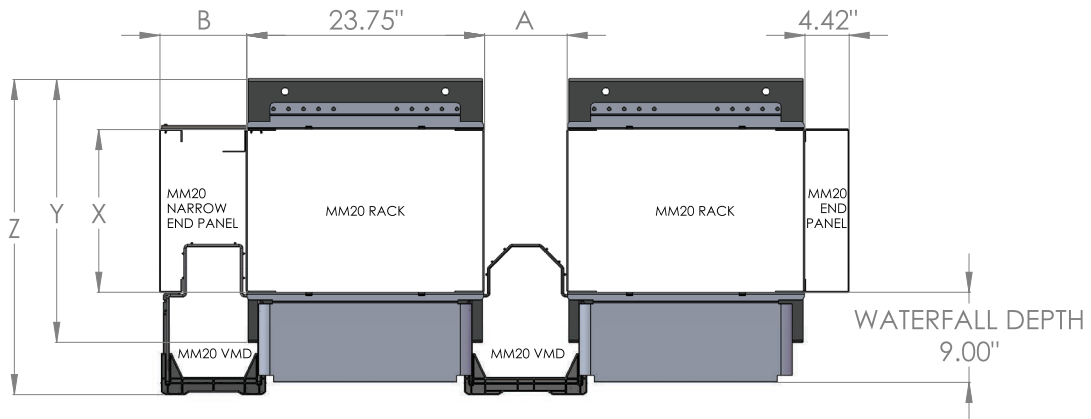
MM20 FLOOR SPACE CONSIDERATIONS

MM20 RACK AND MANAGER DEPTH REQUIREMENTS

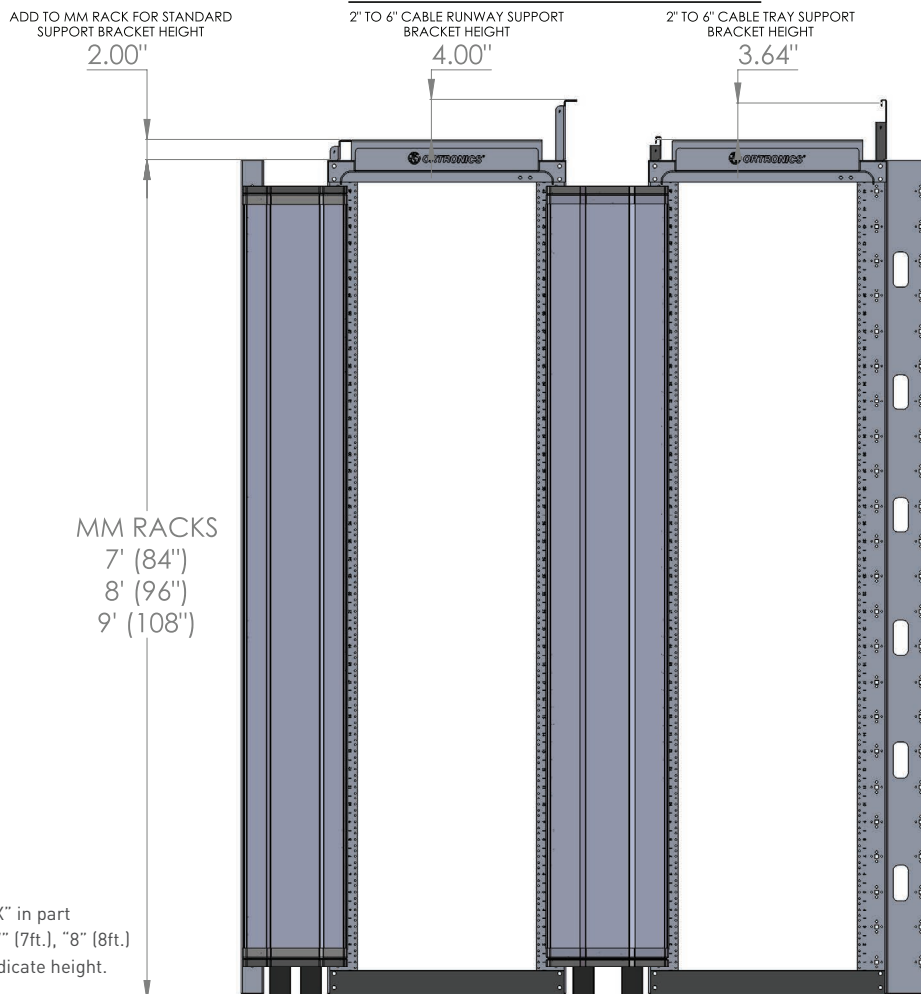
Part Number	"X" = Rack Rail Depth	"Y" = Overall Rack Depth Including Base Angles	"Z" = Overall Rack Depth Including the VMD
MM20X06	6.5"	16.5"	21.75"
MM20X10	10.5"	20.5"	25.75"
MM20X16	16.25"	26.25"	31.5"
MM20X24	24"	34"	39.25"
MM20X30	30"	40"	45.25"
MM20X36	36"	46"	51.25"
MM20X42	42"	52"	57.25"

MM20 VERTICAL MANAGER SPACING

Part Number	"A" = Distance Between Racks Needed Per Manager	"B" = Distance from Outer Rack Rail to Outer Narrow End Panel Surface
MM20VMDX06	2.5"	4.7"
MM20VMDX10	6.5"	8.7"
MM20VMDX12	8.25"	10.45"
MM20VMDX16	12.25"	14.45"



MM20 HEIGHT CONSIDERATIONS



Note: Replace "X" in part numbers with "7" (7ft.), "8" (8ft.) or "9" (9ft.) to indicate height.

MIGHTY MO[®] 20 CABLE MANAGEMENT SYSTEM

BUILT FOR THE TELCO ROOM

CABLE FILL RATES BASED ON
MAXIMUM RECOMMENDED 60% FILL

1 Cablofil Cable Tray Fill Rate

Part Number	Width	Cat 5e .215 dia	Cat 6 .230 dia	Cat 6a .290 dia	Cat 6e .22 dia
CF105/150	6"	176	150	96	176
CF105/300	12"	352	300	192	352
CF105/450	18"	539	460	288	528
CF105/600	24"	715	610	384	704

2 Tubular Runway Fill Rate

Part Number	Width	Cat 5e .215 dia	Cat 6 .230 dia	Cat 6a .290 dia	Cat 6e .22 dia
URT10-18	18"	96	90	35	94

3 Mighty Mo 20 Vertical Manager Fill Rate

Part Number	Width	Cat 5e .215 dia	Cat 6 .230 dia	Cat 6a .290 dia	Cat 6e .22 dia
MM20VMD706	6"	255	216	142	245
MM20VMD710	10"	689	583	365	635
MM20VMD712	12"	819	719	443	780
MM20VMD716	16"	1229	1053	651	1164

4 Horizontal Manager Fill Rate

Part Number	Size	Location	Cat 5e .215 dia	Cat 6 .230 dia	Cat 6a .290 dia	Cat 6e .22 dia
DHMC1RU	1RU	Front	12	12	9	12
DHMC1RU	1RU	Rear	18	13	7	17
DHMC2RU	2RU	Front	78	72	36	72
DHMC2RU	2RU	Rear	68	58	38	60

5 Mighty Mo 20 Channel Rack Fill Rate

Part Number	Size	Cat 5e .215 dia	Cat 6 .230 dia	Cat 6a .290 dia	Cat 6e .22 dia
MM20706	6.5" depth	119	112	60	119
MM20710	10" depth	196	182	105	189
MM20716	16.25" depth	308	287	165	301
MM20724	24" depth	462	427	245	448
MM20730	30" depth	581	539	305	567

6 Mighty Mo 20 Vertical Manager Single RU Fingers

Part Number	Size	Cat 5e .215 dia	Cat 6 .230 dia	Cat 6a .290 dia	Cat 6e .22 dia
N/A	1RU	56	39	22	42

Cablofil Cable Tray

CF105/150
CF105/300
CF105/450
CF105/600

Cable Tray Bracket

MM20CTB16-Z
MM20CTB1624-Z
MM20CTB30-Z
MM20CTBH16-Z
MM20CTBH1624-Z
MM20CTB30-Z

Fiber Enclosure

FC01U-P
FC02U-P
FC03U-P
FC04U-P

Copper Patch Panels

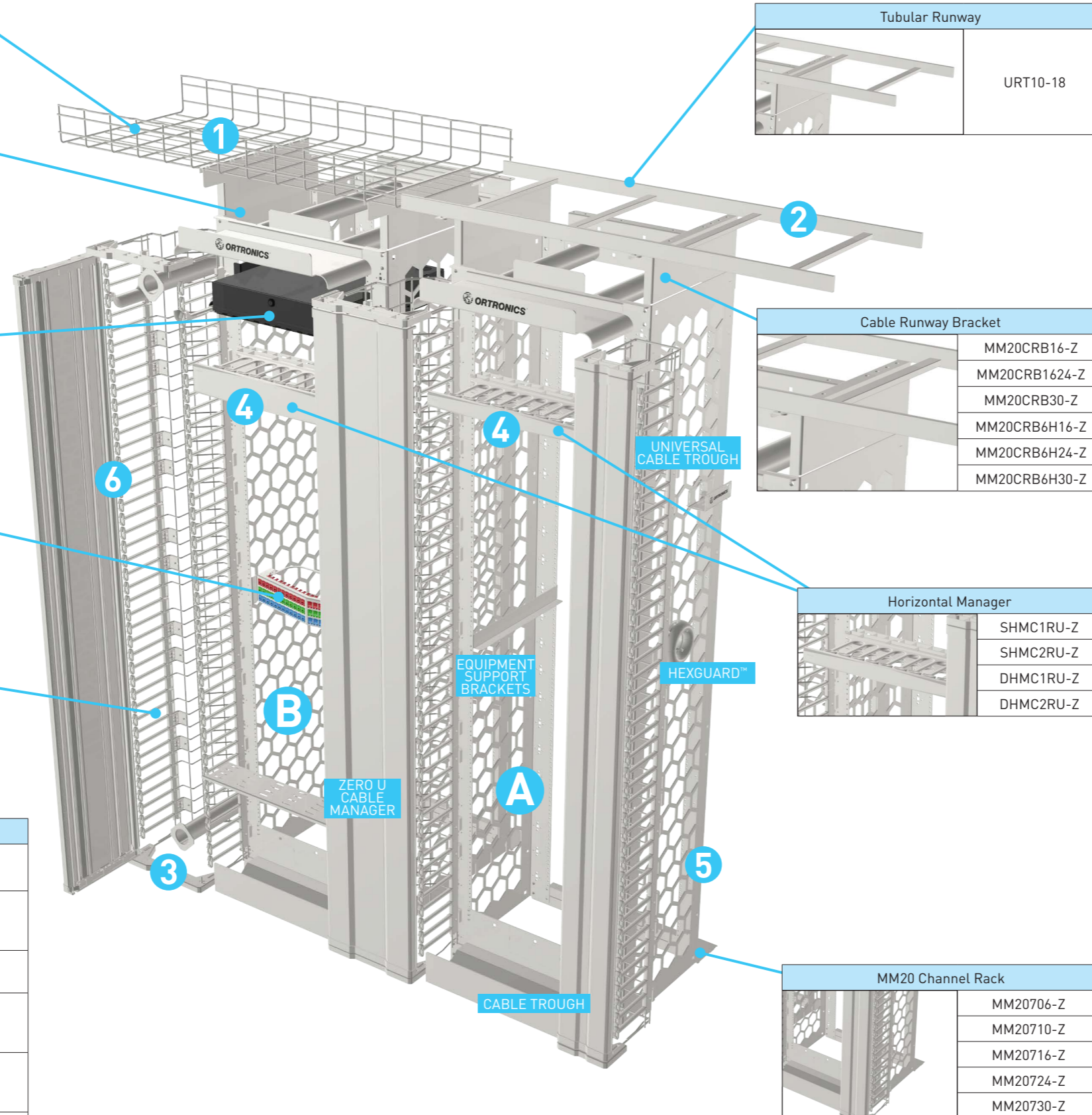
PHXJU24
PHXJU48
PHXJU48-W
PHHSU72

Large Capacity Vertical Managers

MM20VMD706-Z
MM20VMD710-Z
MM20VMD712-Z
MM20VMD716-Z

MM20 Solutions for the Telco Room

Part Numbers	Rack Location	Recommended Usage	Options
MM20716-Z	Rack A	Fiber Box Patch Panels Equipment < 18.5"	STD
MM20706-Z	Rack A	Patch Panels Cable Management	STD
MM20716-Z	Rack B	Fiber Box Patch Panels Equipment < 18.5"	STD
MM20730-Z	Rack B	Network Switches Network Servers Equipment > 18.5"	STD
MM20730-Z	Rack B	Sidebreathing Equipment > 18.5"	Lightweight Baffles Vertical Manager > 12"



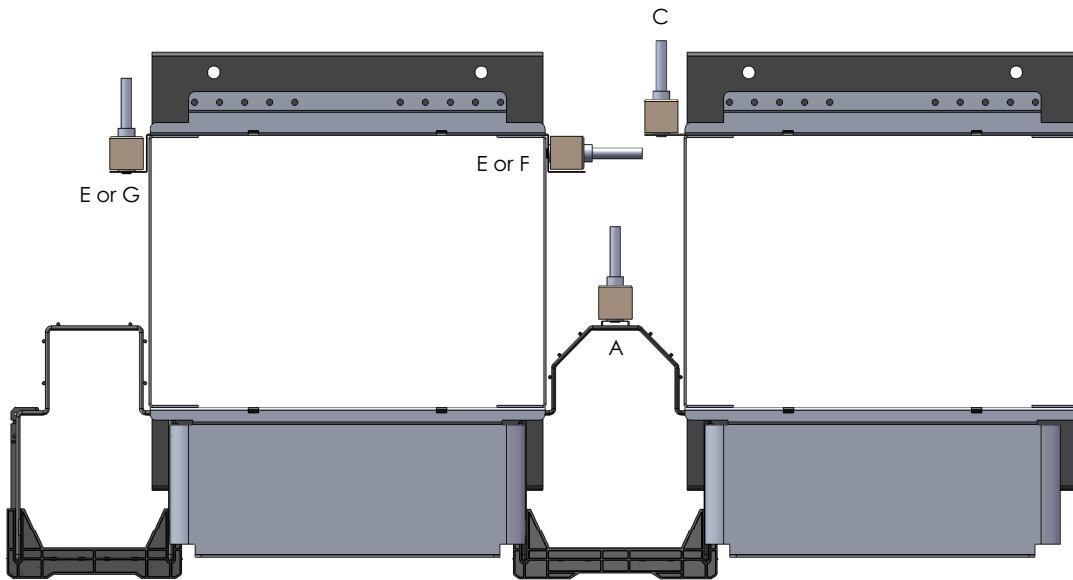
Note: Replace "Z" Color suffix in part numbers with "W" (WHITE) or "B" (BLACK)

MM20 TOOLLESS PDU APPLICATION CHART

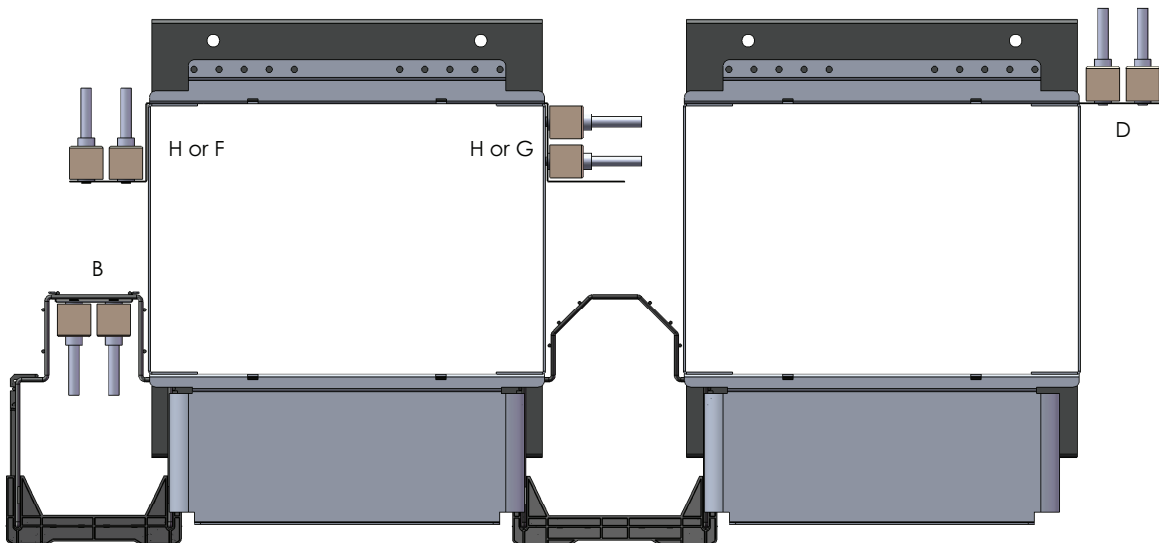


Part Number	Description	Location
MM20PDUMBVM1W	CAGE MOUNT, 1 WIDE	A
MM20PDUMBVM2W	CAGE MOUNT, 2 WIDE	B
MM20PDUMBFT1W	RACK MOUNT, FLAT, 1 WIDE	C
MM20PDUMBFT2W	RACK MOUNT, FLAT, 2 WIDE	D
MM20PDUMB1D1W	RACK MOUNT, 1 DEEP, 1 WIDE	E
MM20PDUMB1D2W	RACK MOUNT, 1 DEEP, 2 WIDE	F
MM20PDUMB2D1W	RACK MOUNT, 2 DEEP, 1 WIDE	G
MM20PDUMB2D2W	RACK MOUNT, 2 DEEP, 2 WIDE	H

SINGLE WIDTH



DOUBLE WIDTH



CONNECTED INFRASTRUCTURE

Legrand solutions, backed by industry leading sales, design and support teams, are the foundation for Connected Infrastructure, a comprehensive approach to the network. Through Connected Infrastructure, Legrand delivers maximum performance, time savings, space optimization, superior customer experience and sustainability by design, to address your challenges, today and tomorrow.



Guaranteed Performance

- Reliability guaranteed
- Network protection
- Uptime



Save Time

- Easy installation
- Efficient moves, adds and changes
- Better ROI



Optimize Space

- Increased density
- Higher capacity
- Flexible and scalable designs



Superior Experience

- Engineering expertise
- Collaborative design
- Local to global relationship



Enable Sustainability

- Environmental stewardship
- Regulatory compliance
- Energy-efficient solutions



“The implementation of the Mighty Mo 20 in our facility supported the 3 F’s of our building network; Fit, Form and Function. The rack system solution provided the most proficient and enriched feature set, all at the same time, delivering an aesthetically pleasing platform and pathway for network connectivity and electronic hardware migration growth.”

– DATA CENTER OPERATIONS MANAGER,
FINANCIAL INSTITUTION



designed to be better.™



©2016 Legrand All Rights Reserved rev.07116 MIGHTYMO APP GUIDE



Data Communications

125 Eugene O'Neill Drive
New London, CT 06320
800.934.5432
www.legrand.us

570 Applewood Crescent
Vaughan, Ontario L4K 4B4
905.738.9195
www.legrand.ca

Follow Us

