

Opt-X® SDX Mini Wall-Mount Enclosure

APPLICATION

Opt-X SDX Mini Wall-Mount Enclosure allows for inter-connect or cross-connect between cable and active equipment while using minimum wall space. The enclosure's features and design allow for easy field termination of connectors, splicing, or pre-terminated plug-and-play solutions. The fiber enclosure is primarily used in controlled indoor applications, such as in entrance facilities, equipment rooms, and telecommunications rooms, work areas, DIN rail, and ORU applications.



SDX Mini Wall-Mount

SPECIFICATION

Opt-X SDX Mini Wall-Mount Enclosure shall accommodate field connector termination, heat-fusion splicing, and plug-and-play MTP® SDX cassettes for up to 24 fibers (LC) or up to 6 copper connectors. The enclosure can be oriented for left- or right-side patching to provide added flexibility. It shall be installed in an indoor controllable environment and be mountable to walls, DIN rails, ladder racks, and other ORU applications. The adapter bulk head shall accept Opt-X SDX Precision-Molded Adapter Plates, SDX Metal Adapter Plates, and SDX MTP Cassettes in LC, SC, ST, and MTP connectivity. Fiber cable management for routing, storage, and protection shall accept tight-buffered fiber and backbone cables. The enclosure shall be constructed of 16-gauge steel with a powder-coated black finish. An optional key/lock kit shall be available to lock the door for added physical security.

FEATURES

- Enclosure accommodates up to 24 fibers (using LC), 12 fibers (using SC), and 6 ports (for copper)
- Accepts SDX Precision-Molded Adapter Plates and SDX MTP Cassette for multiple solution capabilities
- Removable cable entry/exit grommets allow for pre-terminated fiber trunk install, cable protection, and minimizes dust build up
- Constructed of 16-gauge steel for enhanced durability
- Optional key/lock kit secures the door for added physical security
- Optional ORU mounting bracket and magnet solutions available
- Can be used on walls, ORU in racks/cabinets, ladder racks, workstations, cubicles, DIN rails, and within an enclosure (using adhesive-based tapes or magnets)

DESIGN CONSIDERATIONS

- Enclosure is sold empty (unloaded) for install in indoor controlled environments
- Capable of storing up to three meters of 900 µm tight-buffered fiber per adapter
- 40 mm maximum length splice sleeves (sold separately) recommended for individual fiber splicing
- Enclosure is powder-coated black, with custom option available in white
- Enclosure includes an accessory kit consisting of cable VELCRO® Brand ties, mounting screws, port ID label, and patch cord cable managers
- Recommend use of 3M 5952 VHB™, double-sided tape in conjunction with magnets for ORU application

STANDARDS COMPLIANCE

Meets or exceeds all ANSI/TIA-568.3-D requirements

PHYSICAL SPECIFICATIONS

Dimensions:

- See page two

Materials

- Enclosures: 16-gauge steel, powder-coated black, white logo
- Cable entry/exit grommet: santoprene

WARRANTY INFORMATION

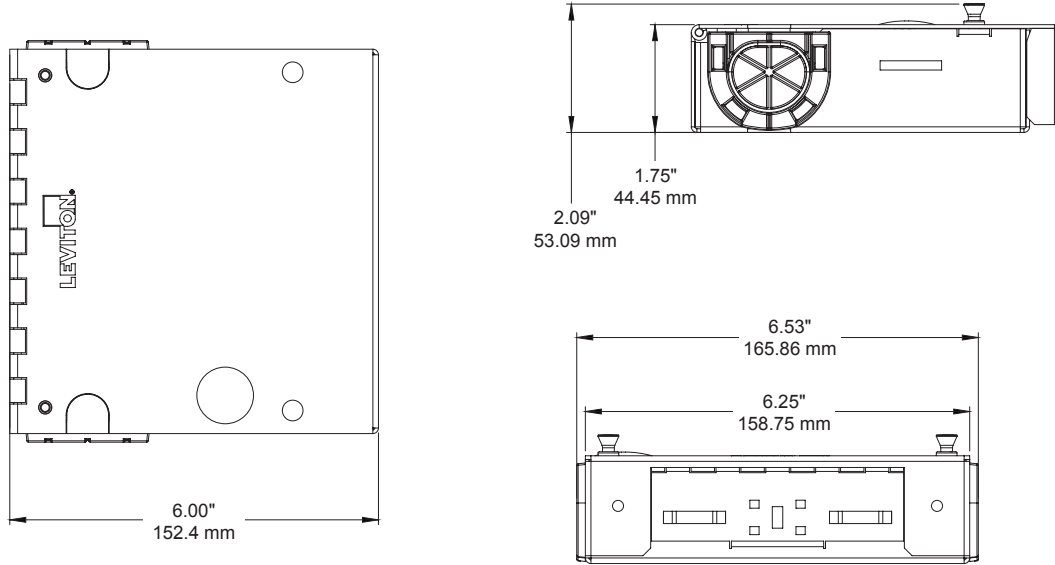
For a copy of Leviton product warranties, visit www.leviton.com/warranty.

5WMNT-01C

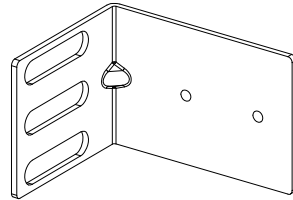
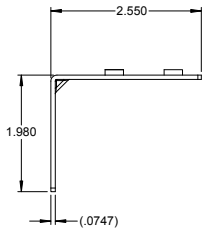
ELECTRONIC FILES

For CAD files, typical specs, or technical drawings (.DXF, .DWG), visit www.leviton.com.

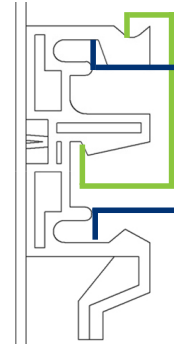
Mini Wall-Mount Enclosure



ORU Mounting Bracket



DIN Rail Bracket Kit



DIN 32 Rail Standard



DIN 35 Rail Standard



DIN 35 Rail Low Profile

OPT-X® SDX MINI WALL-MOUNT ENCLOSURE & ACCESSORIES

Description	Part No.
Enclosure, empty, no lock	5WMNT-01C*
Lock and key	5L000-LOK
Set of 4 magnets	41030-SMJ
Standard Splice Sleeve, 40 mm length	FSSSD-040
ORU Mounting Bracket (bag of 2)	5WMNB-ACC
DIN Rail Bracket Kit	DNRAL-ACC

*Contact Inside Sales for white colored option. Minimum order quantities and lead time may apply.



Leviton Network Solutions 2222 - 222nd St. SE Bothell, WA 98021-4416 tel 1-800-824-3005 tel +1-425-486-2222 appeng@leviton.com www.leviton.com	Asia / Pacific T +1.631.812.6228 E infoasean@leviton.com	Canada T +1.514.954.1840 E pcservice@leviton.com	Caribbean T +1.954.593.1896 E infocaribbean@leviton.com	China T +852.2774.9876 E infochina@leviton.com	Colombia T +57.1.743.6045 E infocolombia@leviton.com
	Europe T +44.0.1592.772124 E customerservice@brand-rex.com	India / SAARC T +971.4.886.4722 E infoindia@leviton.com	Mexico T +52.55.5082.1040 E lsamarketing@leviton.com	Middle East & Africa T +971.4.886.4722 E lmeinfo@leviton.com	South Korea T +82.2.3273.9963 E infokorea@leviton.com