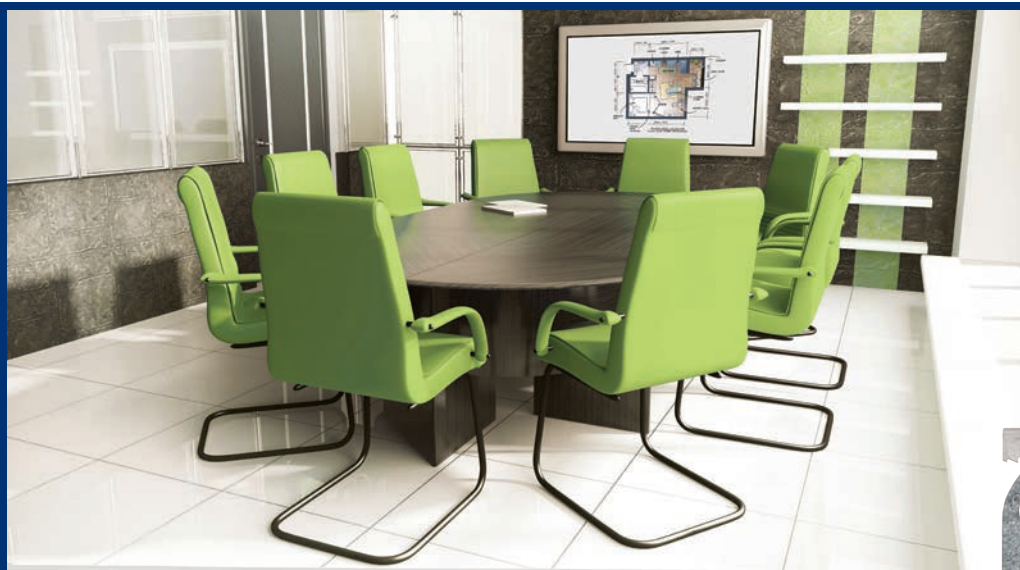


IT/AV Systems

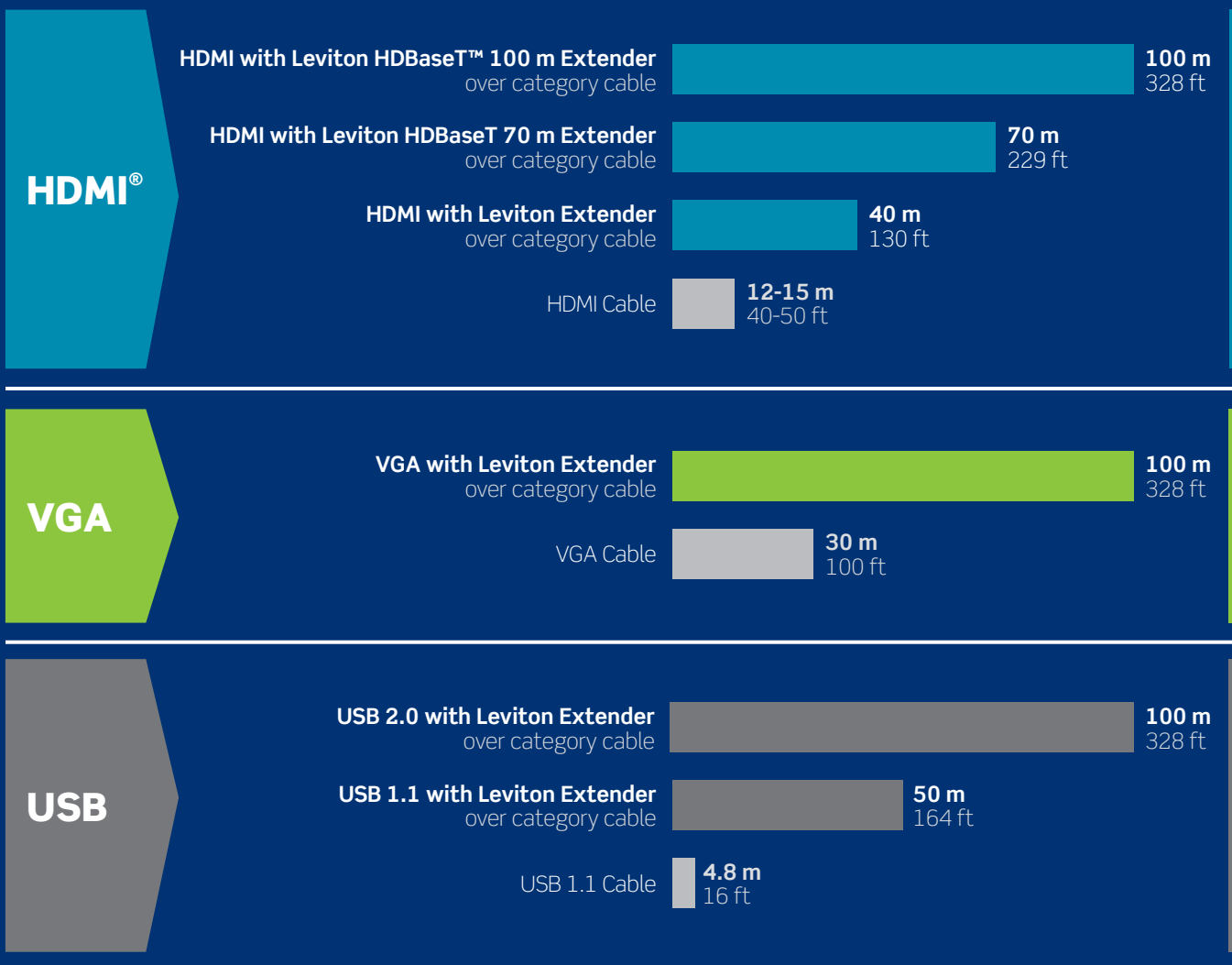
Enterprise-grade infrastructure for audiovisual networks



Extending AV Signals Over Category Cable

Deliver the high-quality audio and video required for today's technologies with Leviton IT/AV Systems. These systems feature signal extenders for long distance transmission of HD video, backed by supporting AV controls, housings, wallplates, connectivity, and cable.

Below are recommended maximum lengths for different AV links, compared to maximum lengths using Leviton extenders:



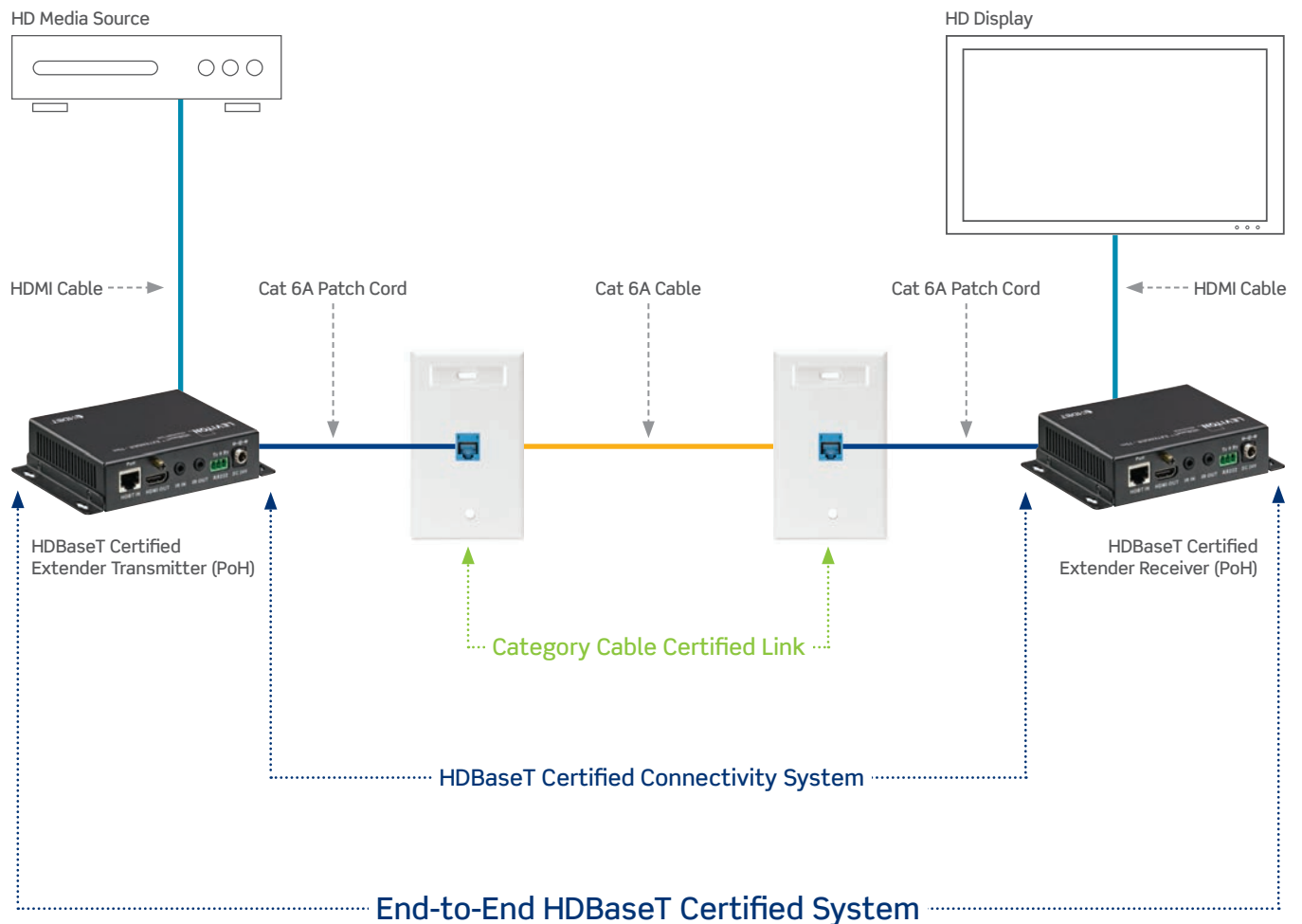
End-to-End Tested and Certified AV Systems Run HDMI Out to 328 feet

The increasing convergence of AV and data networks on category cable has positioned low-voltage, BICSI RCDD contractors as the next generation of AV installers. Leviton's new enterprise-grade IT/AV systems help these contractors be the AV experts for their customers by using an easy-to-install solution that requires little or no training.

The Leviton IT/AV System combines HDBaseT™ HDMI® Extenders, Atlas-X1™ Cat 6A connectors and patch cords, and Cat 6A UTP cable with Leviton-patented segmented isolation wrap for a complete end-to-end solution. The Cat 6A infrastructure link can be installed, tested, and verified as a Cat 6A 10GBASE-T link. This system is also certified to HDBaseT Alliance standards.

Certification offers important benefits:

- System longevity capable of supporting future HD video signal performance requirements
- Installation and testing using the same tools used for datacom infrastructure
- Peace of mind that comes from third-party verification and certification of AV signal transmission performance
- Compatibility with other manufacturers' equipment supporting the same HDBaseT features
- Limited lifetime warranty on the structured cabling system when installed by a Leviton certified contractor
- Power over HDBaseT (PoH) allows powering the link from either end on 70 and 100 meter systems





Decora wallplate sold separately.

Autoswitching HDBaseT™ Extender Wallplate

Connect one VGA and two HDMI® sources to share a single display

Connect, switch, and extend HDMI and VGA signals – including 1080p and 4K video – to displays or projectors. Inputs are automatically switched (or manually selected) to permit seamless transfer from one source to the next. The flush-mounted Decora wallplate form factor provides a compact interface for one VGA and two HDMI audio inputs, while making it easy to match the room design.

- Extend signals up to 70 meters (230 feet) over a single category cable
- HDBaseT certified for a complete professional plug-and-play installation
- Uses Power over HDBaseT (PoH) to provide power to the transmitter from the HDBaseT receiver

8-Button Control Panel

Connect and control VGA and HDMI sources

Control the HDMI and VGA Autoswitching Wallplate in classrooms, conference rooms, or other enterprise applications. Pre-configured buttons control display or projector on/off, volume up/down, and source selection.

- Control panel can be installed up to 70 meters (230 feet) from the Leviton Autoswitching Wallplate, connected with a single category cable
- Powered by the Autoswitching Wallplate over the same connected category cable
- Dual-gang form factor with matte anodized aluminum finish and rugged all-metal construction



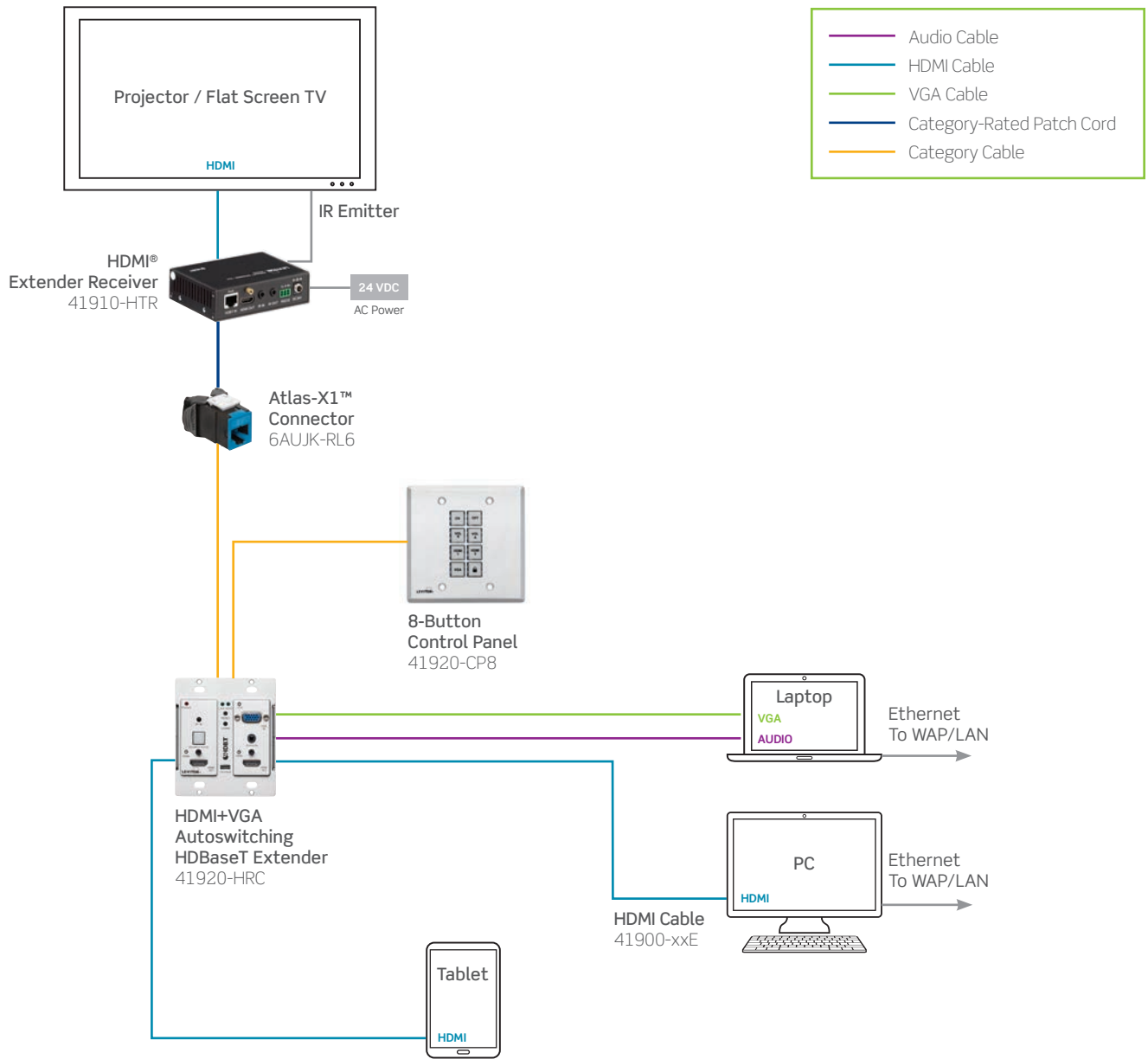
HDBaseT 70m Receiver

Pair with the Autoswitching Wallplate to connect VGA and HDMI sources to a display or projector

The HDBaseT receiver installs at the display or projector to deliver uncompressed audio and video via a single category cable.

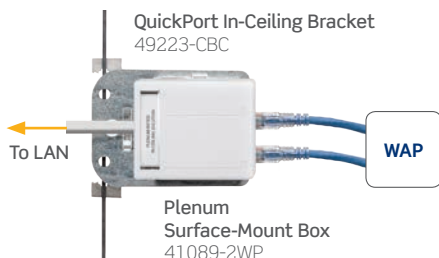
- HDBaseT certified for a complete professional plug-and-play installation
- Uses Power over HDBaseT (PoH) to provide power to the Autoswitching Wallplate and 8-Button Control Panel over the category cable





SPOTLIGHT

QuickPort® Plenum Surface-Mount Box and In-Ceiling Bracket



One- and two-port Surface-Mount QuickPort Boxes are plenum rated, making them ideal for housing QuickPort connectors in air-handling spaces above a drop ceiling. The low-profile boxes contain knockouts to accommodate raceway and cable entry, and can be mounted to Leviton In-Ceiling Brackets that attach to standard drop wires or rods.

IT/AV HDMI Signal Extension Systems

HDMI® Extender with HDBaseT, 100 meters

Leviton 100 meter HDBaseT™ Extension includes a transmitter and receiver, and is installed using a single category cable for a simple, plug-and-play HDMI extension solution. Professional features include 1080p, 4K video, Ethernet, and control channels, making it ideal for classrooms, conference rooms, and other enterprise applications.

- Certified Class A HDBaseT Extender
- Full HDBaseT 5Play™: Audio, Video, Control Signals (RS-232 and IR), 100BASE-T Ethernet and Power-over-HDBaseT or PoH
- Bi-directional PoH (Power over HDBaseT) allows use of a single power supply located at either the source or the display



HDMI Extender with HDBaseT, 70 meters

Leviton 70 meter HDBaseT Extension includes a transmitter and receiver. As with the 100 meter option, the 70 meter system is installed using a single category cable permanent link.

- Certified Class B HDBaseT Extender for up to 70 meters
- Carries HD video, bi-directional power, bi-directional IR, multi-channel audio, and RS-232 control
- Bi-directional PoH (Power over HDBaseT) allows use of a single power supply located at either the source or the display

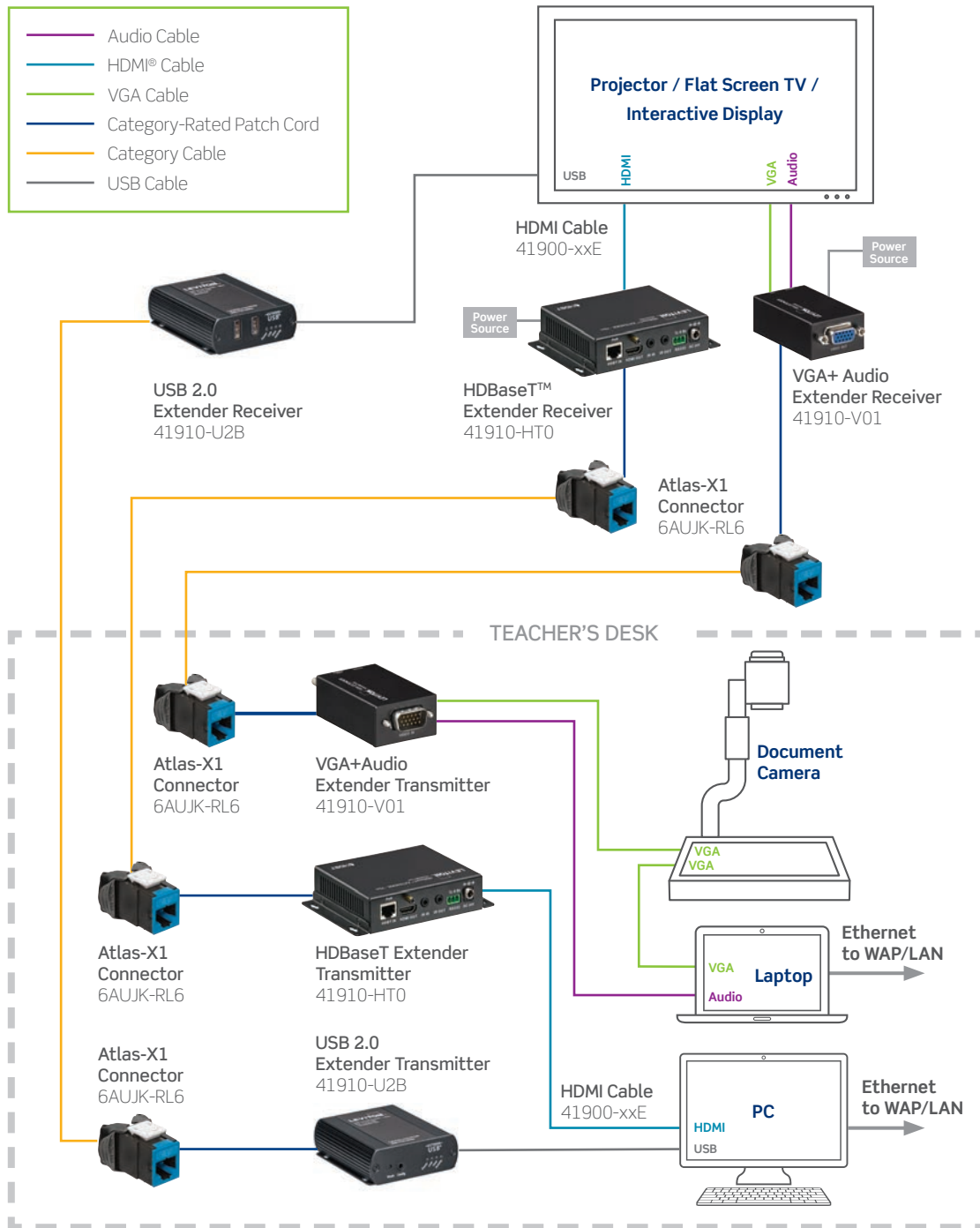
HDMI Extender, 40 meters

The Leviton 40 meter HDMI extender solution set includes a transmitter and receiver, connected by two permanent links of category cable. Extend HDMI signals up to 40 meters (131 ft) for applications in classrooms, conference rooms, control centers, and public venues.

- Delivers full uncompressed HDMI (3D and Deep Color)
- Supports Dolby True HD and DTS HD Master Audio
- 8-position equalization adjustment for optimizing display quality over varying cable lengths
- Power and On-Line LEDs aid in setup



IT/AV HDMI Signal Extension Systems



SPOTLIGHT

Choosing the Right Mixing Audio Amplifier

Leviton Mixing Audio Amplifiers are compact solutions that make it easy to power speakers in a variety of applications, providing the versatility and control features you need for commercial audio environments.

4 or 8 ohm Stereo Mixing Audio Amplifier

- Mic plus two stereo inputs
- 40-watt output, RS-232, and IR control

70V/100V Mono Mixing Audio Amplifier

- Mic plus three inputs
- 40-watt output, RS-232, and IR control



IT/AV Signal Extenders and Mixing Audio Amplifiers



VGA Signal Extender

The Leviton VGA extension system extends video and audio signal up to 100 meters for applications in classrooms, conference rooms, control centers, and public venues.

- Delivers screen resolutions of 1920 X 1200 @ 60Hz up to 30 m (98 ft) and 1600 X 1200 up to 100m (328ft) over one category-rated cable
- Adjustable gain for optimizing display quality over varying cable lengths

USB 2.0 and USB 1.1 Signal Extenders

The Leviton USB 2.0 and USB 1.1 extension systems extend a USB data, video, or audio signal up to 100 meters for USB devices, such as interactive white boards, wireless mice/keyboards, and web cams.

- The two-port 100 meter USB 2.0 extender supports low, full, and high speed protocols up to 480Mb/s, with device charging capabilities and USB 3.X compatibility
- The one-port 50 meter USB 1.1 extender supports low and full speed protocols up to 12Mb/s



4/8 ohm Stereo Mixing Audio Amplifier

The 4/8 Ohm Stereo Mixing Audio Amplifier is ideal for classrooms, small conference rooms, and light commercial installations. The amp provides stereo sound over two 8 Ohm speakers in parallel per channel makes it ideal for smaller applications.

- Three output modes: 2 X 20W stereo, 1 X 40W bridge mono, and 2 X 20W dual mono
- Three switchable inputs: two stereo audio and one mic
- Mic mixer function with independent control and Line-audio output jack with controllable volume



70V/100V Mixing Audio Amplifier

The 70V/100V Mixing Audio Amplifier supports constant voltage distributed audio systems without the need for a separate transformer, making it ideal for classrooms, conference rooms, and light retail or commercial installations. Speakers are wired in parallel to provide mono sound over extended ranges.

- 40 Watt mono output 70V or 100V constant voltage
- Three switchable inputs: two stereo audio summed (RCA and 3.5mm) and one digital audio fiber
- Auto priority muting on mic input (ducking)



Structured Media Enclosure

Leviton 14" Structured Media Enclosure makes running cable and managing multimedia displays simple and more cost-effective. Designed to provide a central distribution consolidation point, the enclosure can be installed and concealed behind a display or near a projector screen. This professional-grade enclosure is spacious for simple audiovisual device installation and management, and allows for future growth. Ideal for supporting conference room, classroom, and enterprise technologies, the enclosure accommodates the distribution of voice, data, video, audio, and IT/AV applications.



Recessed Entertainment Box

The Recessed Entertainment Box (REB) centralizes AV power and low-voltage connection points behind wall-mounted TVs, entertainment centers, monitors, and more.



Recessed Receptacles

Single-gang recessed receptacles supply AC power, while dual-gang receptacles provide power and include six QuickPort® openings to centralize connection points for audio, video, and data.

IT/AV System Supporting Components

Wallplates and Housings

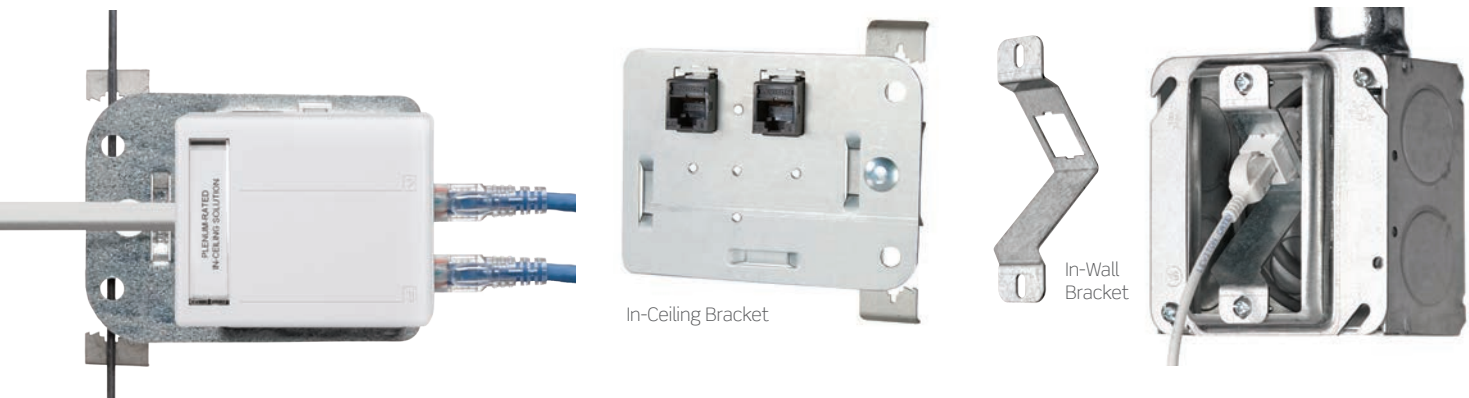
Choose from a wide selection of wallplates, housings, and AV connectors to support your IT/AV installations

- **QuickPort® Wallplates** support all Leviton category-rated, fiber, and AV QuickPort connectors
- **Multimedia Outlet System (MOS)** offers a front-loading module solution that is ideal for conference rooms, classrooms, and auditoriums.
- **Plenum-rated QuickPort Surface-Mount Boxes** protect terminations, provide strain relief, and can attach to Leviton In-Ceiling Brackets



QuickPort In-Wall and In-Ceiling Brackets

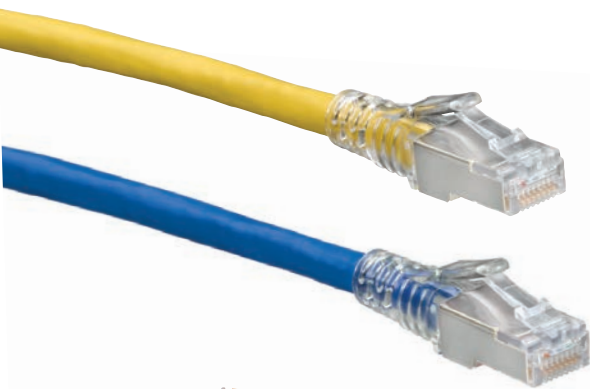
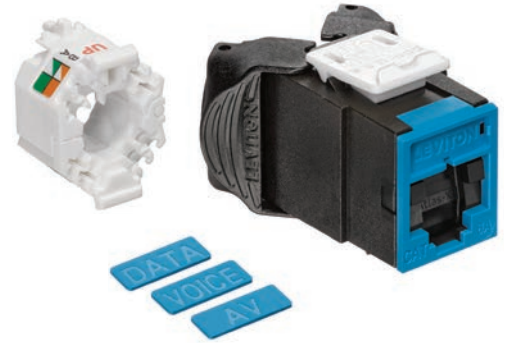
In-Wall and In-Ceiling Brackets provide a location for a standards-based, testable permanent link for connections to wireless access points, IP clocks, security cameras, and other IP devices. Brackets protect installed cabling by providing a stable mounting and termination point, offering a more reliable connection than a direct-connect plug, and reducing the possibility of damage during construction.



Atlas-X1™ Cat 6A QuickPort® Connectors

High-performance Atlas-X1 UTP connectors include patented technologies that add reliability and longevity to your IT/AV System. Retention Force Technology protects against time damage from non-compliant plugs, and triple-stage compensation enhances link and channel performance. The connector also maintains alien crosstalk protection throughout the link.

The connector's unique wire manager and door-release levers support fast, secure, and repeatable terminations without the need for specialized tools. And each connector comes with interchangeable icons — designating AV, data, or voice — color-coded to match the face of the connector.



Atlas-X1™ Cat 6A SlimLine Boot Patch Cords

Leviton SlimLine boot cords feature a narrow profile to alleviate congestion in high-density applications for easier moves, adds, and changes. The snagless design prevents tab breakage and the strain-relief boot ensures long-term network performance. The Cat 6A patch cords provide exceptional alien crosstalk suppression and EMI/RFI protection to meet the demanding requirements of HDBaseT™.



Cat 6A UTP Cable with Alien Crosstalk Prevention Technology

State-of-the-art Cat 6A UTP cable, featuring Leviton-patented segmented-isolation wrap, is ideal for managing the convergence of voice, video, and data at 10-gigabit Ethernet speeds. It offers an incredibly small outer diameter and its innovative helix technology delivers superior alien crosstalk (AXT) suppression needed for HDBaseT.

Leviton In-Wall Rated HDMI® Cables

Leviton high-speed HDMI Cables with Ethernet are ideal for supporting in-wall and permanent installations for education, health care, enterprise, and government applications. The cable is CL2-rated for in-wall installations, and it is flexible to accommodate common box depths while maintaining minimum bend radius requirements. The cables are cULus Listed and are available in 3-, 6-, 10-, and 15-foot lengths.



THE SMART CHOICE FOR A BETTER NETWORK

High-performance connectivity backed by
the industry's best service and support

We invent the industry's best technologies. We build them to last. And we stand behind every product and every installation – delivering industry-leading performance and unbeatable service and support – throughout the life of your structured cabling system. Add in the peace of mind that comes from working with a stable, century-old supplier, and you get far and away the highest return on infrastructure investment.

Leviton Network Solutions Division Headquarters

leviton.com/networksolutions

2222-222nd Street S.E., Bothell, WA 98021 USA

Inside Sales

T 800.722.2082

E insidesales@leviton.com

Technical Support

T 800.824.3005 / +1.425.486.2222

E appeng@leviton.com

International Inside Sales

T +1.425.486.2222

E intl@leviton.com

Leviton Network Solutions European Headquarters

brand-rex.com

Viewfield Industrial Estate, Glenrothes, Fife KY6 2RS, UK

Customer Service

T +44.0.1592.772124

E customerservice@brand-rex.com

Leviton Corporate Headquarters

leviton.com

201 N. Service Road, Melville, NY 11747 USA

Customer Service

T 800.323.8920 / +1.631.812.6000

E customerservice@leviton.com

Leviton International Offices

Asia / Pacific

T +1.631.812.6228

E infoasean@leviton.com

India / SAARC

T +971.4.886.4722

E infoindia@leviton.com

Canada

T +1.514.954.1840

E pcservice@leviton.com

Latin America

T +52.55.5082.1040

E lsamarketing@leviton.com

Caribbean

T +1.954.593.1896

E infocaribbean@leviton.com

Mexico

T +52.55.5082.1040

E lsamarketing@leviton.com

China

T +852.2774.9876

E infochina@leviton.com

Middle East & Africa

T +971.4.886.4722

E lmeinfo@leviton.com

Colombia

T +57.1.743.6045

E infocolombia@leviton.com

South Korea

T +82.2.3273.9963

E infokorea@leviton.com

All Other International Inquiries

E international@leviton.com

