

MegaPX ATM Camera

The **MegaPX ATM Camera** from March Networks® delivers megapixel images at close range from a single self-contained unit that works with any ATM. The camera's small, compact design and robust mounting brackets make it the perfect option for banks and credit unions looking for reliable, discreet surveillance at ATMs. Featuring High Dynamic Range (HDR) and excellent low-light performance, the MegaPX ATM Camera delivers high-quality, crystal-clear images even in bright light or near dark conditions. Choose from two mounting brackets and two lens options for flexible installation and coverage.



Standard lens shown.
Also available with
pinhole lens.



PURPOSE-BUILT FOR ATMS

The camera optics are ideal for capturing ATM users at close range. The 2.8mm lens delivers a comprehensive view of the area in front of the ATM, and the camera's HDR capability blends the best parts of multiple separate exposures into a single image. Additionally, the camera's mounting brackets include a robust locking mechanism that withstands the daily ATM door slams of the cash vaulting process. This means the camera will not shift, tilt or fall back over time, eliminating the need for on-site readjusting of cameras that were not designed for the unique requirements of ATMs.



WORLD'S FIRST SELF-CONTAINED ATM CAMERA WITH HDR

Unlike other covert cameras, which consist of two components — the sensor unit (which contains the camera optics), and the main

unit (which contains all the connectors and the encoder) — the MegaPX ATM Camera combines both the sensor and the connectors/encoder together in a single, self-contained unit. The camera's small footprint — just 2.2 x 2.3 x 2.7 inches (56 x 58 x 69 mm) allows for fast and easy installation with any ATM machine.

CHOOSE THE LENS AND MOUNTING BRACKET THAT WORK FOR YOU

In order to accommodate a variety of ATM applications and get the best possible field of view, the MegaPX ATM Camera offers two lens options and two mounting brackets. Depending on your requirements, you can choose from a 2.8mm M12 standard lens, or a 3.7mm M12 pinhole lens. The camera's long and short mounting brackets — both shipped with the device — ensure you'll have the perfect angle and field of view every time.

YOUR VIDEO IS ALWAYS AVAILABLE, EVEN WHEN YOUR NETWORK ISN'T

The camera's ability to record to an internal microSDHC card provides redundant recording in the event of a network outage or server failure. When the camera is used with March Networks Command Recording Server, an innovative Shadow Archive feature allows for seamless access to that recorded video, for total fail-safe management.

FEATURES

- 1/2.8" progressive scan CMOS sensor (3MP)
- High Dynamic Range (HDR)
- Choice of M12 lenses: 2.8mm standard or 3.7mm pinhole
- 352 x 288 to 3MP resolution (30 fps)
- Shadow Archiving™ wth microSDHC
- Active video tampering
- Versatile alarm handling (e.g., email, relay output)
- Robust locking bracket withstands ATM door slams
- ONVIF™ S-profile certified for open third-party integrators
- Dual-streaming H.264

PART NUMBERS

- 31763 Standard lens, 2.8mm
- 32044 Pinhole lens, 3.7mm
- 32458 Power Supply - AC to 12VDC

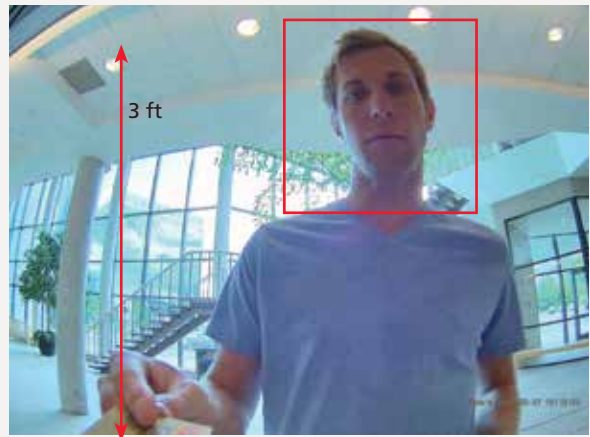
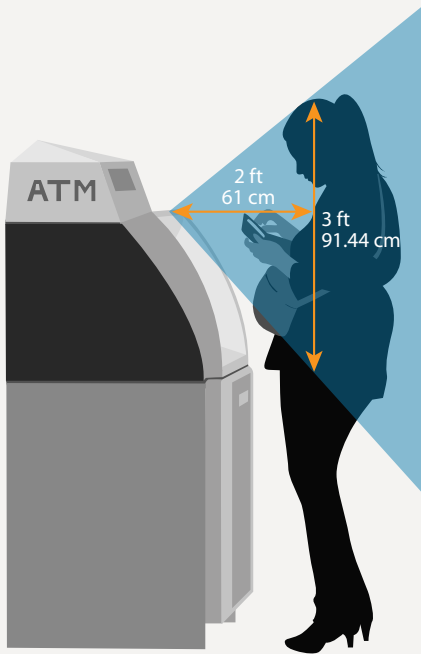


World's first self-contained
ATM camera with HDR

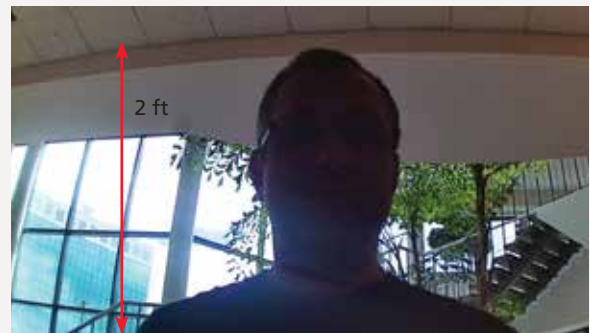
The camera delivers the perfect view of the customer in front of the ATM...

Get the big picture

Customers typically stand approximately 2 feet (61 cm) away from the camera when they are using an ATM. With the MegaPX ATM camera, this yields an impressive 3 ft (91 cm) vertical view of the customer. With other manufacturers' cameras, you will only see approximately 2 ft (61 cm) of the customer, which could potentially result in loss of valuable information, such as wardrobe details.



View from the MegaPX ATM Camera with Face Detection



View from competitors' covert camera

March Networks GURU Smartphone App

Available as a free download from the App Store and Google Play, this industry-first smartphone app enables partners to initiate an RMA for the camera, check the camera's warranty status, and access training and diagnostic information (including installation manuals, set-up guides, etc.).



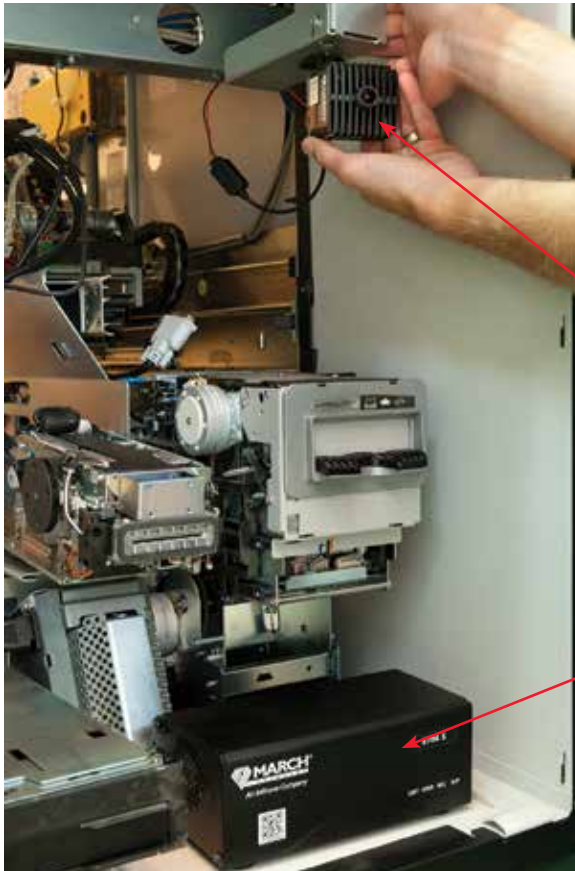
TRY IT! Use the GURU app to scan this QR code to see information unique to one of our ATM cameras.



Helping you save time and money

- ✓ Check warranty status
- ✓ Initiate an express RMA
- ✓ Get in-field diagnostics support

...and accommodates every ATM model

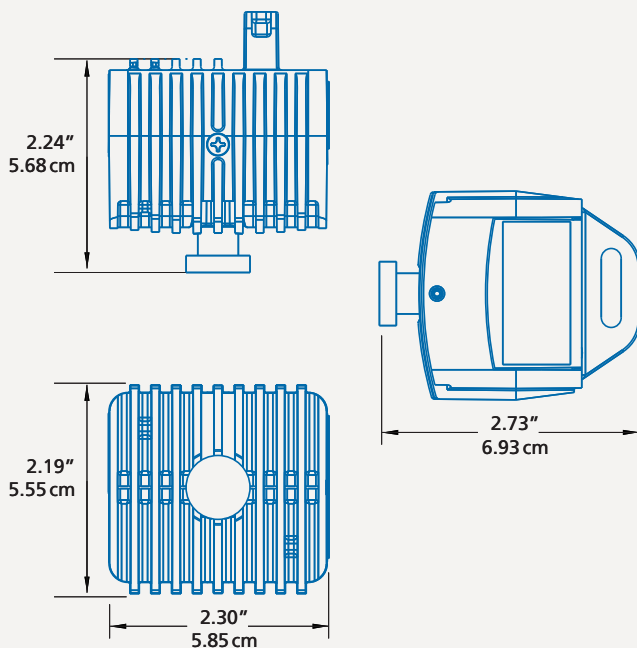


A complete, self-contained ATM surveillance and recording solution

The MegaPX ATM Camera — with its choice of lenses, choice of long or short mounting brackets, robust locking mechanism, and easy installation — is the only camera on the market that accommodates the unique requirements of the inside of an ATM machine.

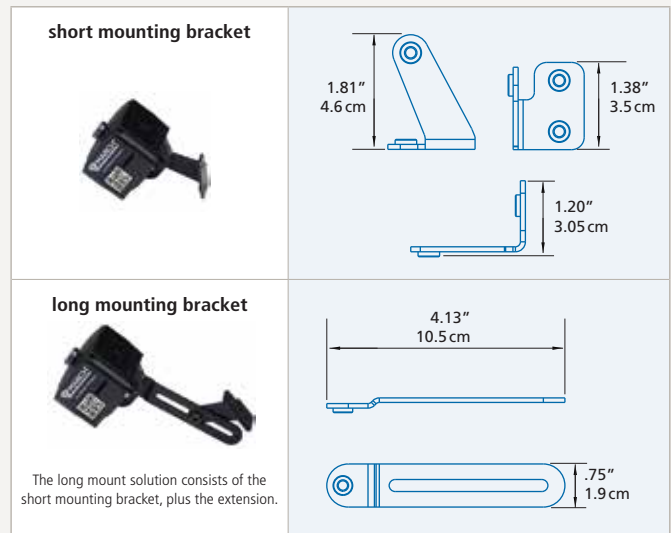
The March Networks 8000 Series 4-Channel Hybrid NVR has been designed with economy of space in mind. This robust, reliable, and feature-rich recorder is ideal for installation in ATMs, and seamlessly integrates ATM transaction data with the video.

Just one component to install



Choose the mounting bracket that works best for your application

To accommodate the varying dimensions of ATM interiors, the camera ships with two mounting brackets, so your ATM camera will fit perfectly



MegaPX ATM Camera

MODELS

| | |
|--------------|--------------------------|
| 31763 | M12 standard lens, 2.8mm |
| 32044 | M12 pinhole lens, 3.7mm |

CAMERA

| | |
|-----------------------------|--------------------------------------|
| Image Sensor | 1/2.8" CMOS 3MP |
| Dynamic Range | Multi-exposure High Dynamic Range |
| Lens | |
| Standard | Fixed iris, fixed focus, F1.2, 2.8mm |
| Pinhole | Fixed iris, fixed focus, F1.2, 3.7mm |
| Angle of View | |
| Standard | 93° horizontal |
| Pinhole | 80° horizontal |
| Shutter Time | 1 to 1/10000s |
| Minimum Illumination | 0.08 Lux |

VIDEO

| | |
|----------------------------|--|
| Video Compression | H.264 |
| Resolution | 3MP 2048 x 1536 to 352 x 288 |
| Optional Resolution | |
| Major Stream | 2048 x 1536, 1920 x 1080, 1280 x 720, 720 x 576, 352 x 288 |
| Minor Stream | 720 x 576, 352 x 288, D1 |
| Frame Rate | Up to 30 fps (50/60 Hz) in all resolutions |
| Video Streaming | Dual-stream H.264 (full resolution on stream 1; maximum D1 on stream 2) Controllable frame rate and bandwidth CBR/VBR Up to two simultaneous streams with any combination of resolution and frame rate |
| Image Settings | Compression, Color, Brightness, Exposure, Sharpness, Contrast, White Balance, BLC, Mirroring, Saturation, Hue, Digital Zoom, Rotation, Text and image overlay, HDR, 3D Noise, Privacy Masks, Motion Detection, Tampering Alarm |

NETWORK

| | |
|----------------------------|--|
| Security | Password protection, IP address filtering, connection management, LDAP authentication, HTTPS encryption (configuration only) |
| Supported Protocols | ONVIF S RTP, RTSP, RTCP, HTTP, HTTPS, IPv4, TCP, UDP, DHCP, ARP, LDAP |
| Interface | 10/100Mbps self-adaptive Ethernet (RJ-45) |
| Internet Browser | Internet Explorer (7.0+) |
| Network Delay | ≤250ms |

SYSTEM INTEGRATION

| | |
|--------------------------|--|
| Intelligent Video | Video motion detection (up to 4 areas), connection monitoring, active tampering, presence detection, face detection |
| Event Triggers | Intelligent video |
| Event Actions | External output activation Video recording to local storage (microSDHC) Notification via email, HTTP, and TCP Pre- and post-alarm video buffering |

GENERAL

| | |
|-----------------------------|--|
| Housing | Black powder-coated aluminum |
| Power | 12VDC; PoE |
| Power Consumption | 3.5 Watts |
| Local Storage | MicroSD/MicroSDHC card slot supporting memory card up to 64 GB (card not included) |
| Operating Conditions | 14° to 122° F (-10° to 50° C); 0-90% relative humidity, non-condensing |
| Mechanical | |
| Weight | 0.44 lbs (0.2 Kg) |
| Dimensions (HxWxD) | 2.2 x 2.3 x 2.7 in (55.5 x 57.99 x 69.3 mm) |
| Included Accessories | Long mounting bracket, short mounting bracket, software CD |

REGULATORY

| | |
|-----------------------------|---|
| Regulatory Approvals | CE – EMC Directive; 2004/108/EC; Standards EN55022; CISPR22; AS/NZS CISPR22, EN 61000-3-2; FCC Part 15 Subpart B; ICES-003; EN50130-4 UL-60950-1; RoHS Directive (2011/65/EU); WEEE |
|-----------------------------|---|



Camera also available with 3.7mm pinhole lens