



Mounting Solutions for WiFi Access Points



Oberon Professional Wireless LAN Access Point Installation Solutions for Metric (European) Suspended Ceilings



Wireless LAN access points are everywhere. Integrating them into the building environment is a challenge for integrators and contractors. Oberon now offers metric-sized ceiling mounts for use in European ceilings.

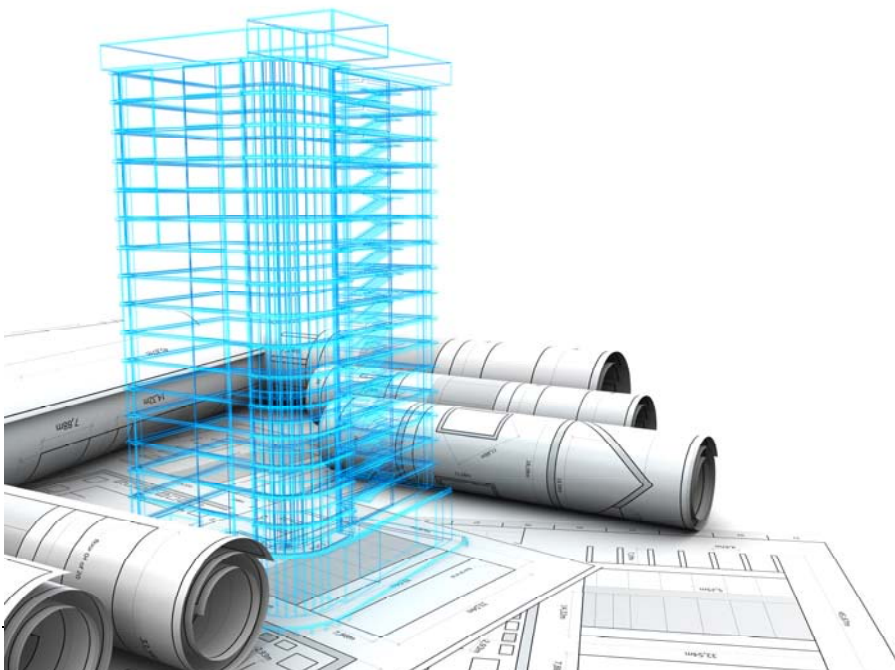
The default method for installing wireless LAN access points (APs) is clipping them onto the ceiling grid or rail. Mounting the AP in the ceiling is ideal from a wireless coverage standpoint, but having the AP hanging off the grid is becoming less acceptable as it appears to be an “unfinished” installation. Many end users, building owners, architects, and, frankly, installers, are demanding a more professional, secure, and aesthetic wireless AP installation.

Sometimes the end user will suggest the AP be mounted above the ceiling so it is not visible. Leading enterprise AP vendors Aruba and Cisco, however recommend the AP *not* be mounted above the ceiling as this will degrade signal performance and potentially lead to increased signal interference between APs above the ceiling. Wireless designers generally recommend *not* mounting APs above the ceiling for these performance reasons. It is also more difficult to diagnose and service the access point when above the ceiling.

Many end users, building owners, architects, and, frankly, installers, are demanding a more professional, secure, and aesthetic wireless AP installation.

In many cases the wireless designer and installer is tasked with incorporating Wireless LAN in a venue comprised of many types of ceilings and walls, with suspended ceiling tiles of different textures, colors, and ages, hard ceilings and walls, open ceilings, and challenging environments.

On a more critical note, hospitals and healthcare environments need to protect sensitive patients from the dust and fungal spores found above suspended ceilings. Oberon’s AP ceiling enclosures provide a convenient way to install and service access points without lifting ceiling tiles. Hundreds of hospitals worldwide use Oberon’s products to simplify compliance with infection control



procedures for servicing ceiling mounted wireless gear.

How can the professional wireless designer and installer provide for the optimum wireless performance, physical security, access, and more importantly than ever, building aesthetics, in these disparate environments?

RECESSED CEILING WIRELESS AP MOUNTS FOR CLOUD & PANEL CEILINGS

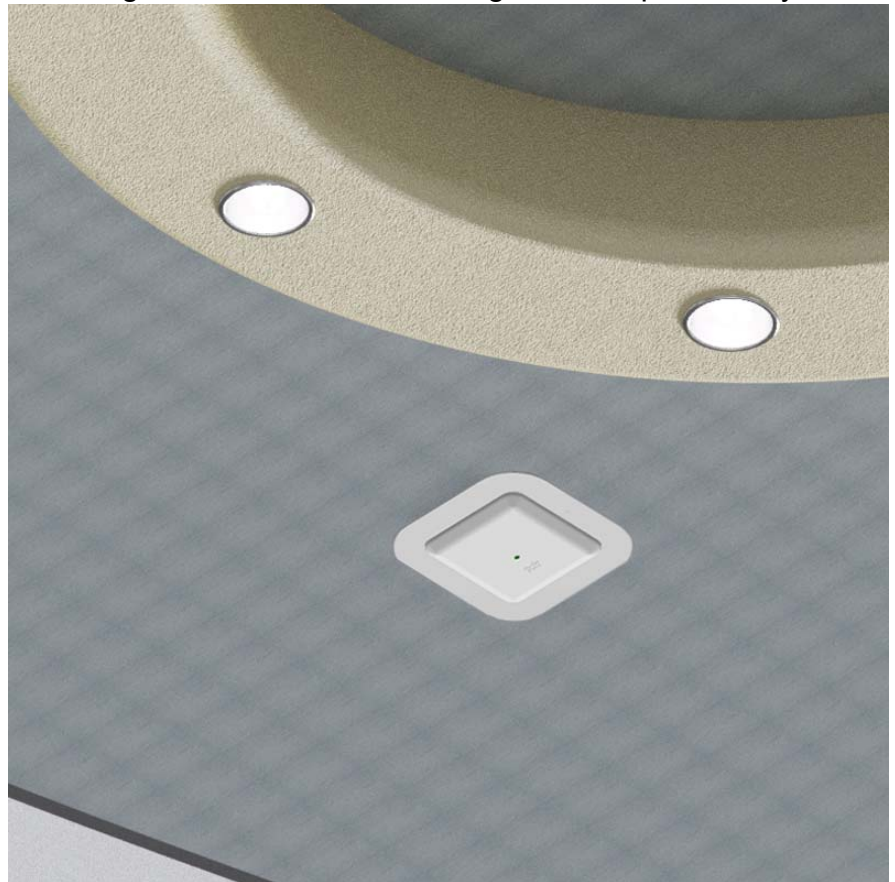
Oberon's economical **1040 and 1044 Series** recess ceiling AP mounts install like recessed lighting into both metric (Europe) and imperial (North America) ceiling tiles. A cutout is made in the ceiling panel or tile, and the AP is attached to an AP-specific trim which is then drawn flush with the ceiling by a torsion spring on the trim. Once installed, only the front face of the AP is visible, providing both ideal wireless performance and an aesthetic professional installation.

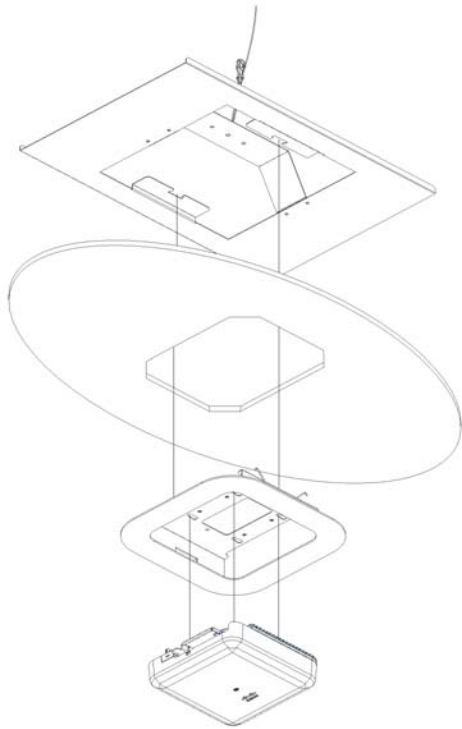
The economical **Model 1040** is ideal for mounting APs into cloud or open panel ceilings. It is comprised of a lightweight bridge and interchangeable AP trims. The bridge can be placed anywhere above the ceiling panel and keeps the panel from sagging under the weight of the AP. The 1040 includes a wire cord which can be fastened to the building structure for code compliance and to support the AP.

Model 1044 is designed for mounting APs in a suspended (drop) ceiling with a fire rating. It is comprised of a solid fire-stopped back-box, tile bridge, and interchangeable AP trim. The back-box/bridge assembly is placed over any 600mm x 600mm ceiling tile and keeps the tile from sagging under the weight of the AP. The Model 1044 includes hanger wire which can be fastened to the building structure for code compliance and to support the AP.

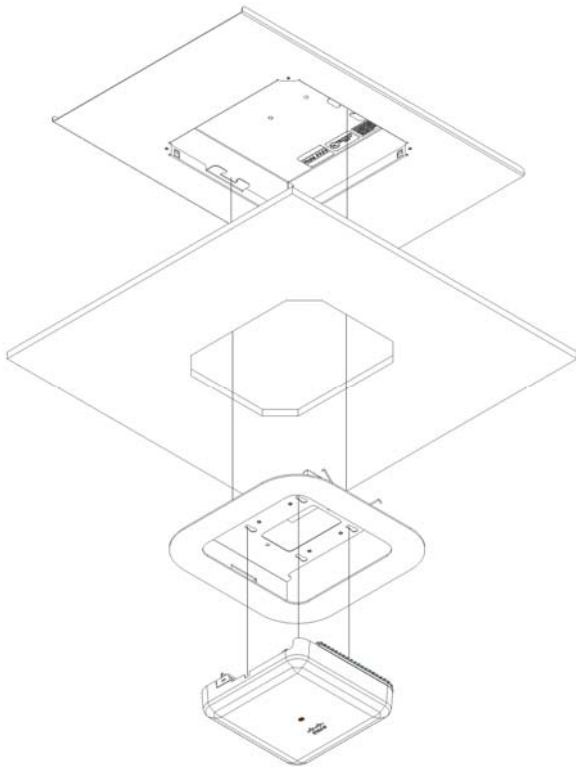
Both the **1040 and 1044 Series** wireless AP mounts use a torsion spring to secure the AP rim to the bridge, eliminating the need for loose hardware and nuts and simplifying installation. The AP and trim can be conveniently removed from the mount without lifting ceiling tiles. Oberon offers interchangeable AP trim for all leading enterprise APs.

Note: To support migration to new APs, the trim is interchangeable after installation. Please contact your Oberon representative for additional trim options.





Model 1040-CCOAP3800(left) and 1040-CCOAP (right) installed Recess AP Installation Kit for cloud or panel ceilings



Model 1044-CCOAP3800 Recess AP Installation Kit for 2' x 2' Suspended Ceiling Panel with Cisco 3800 Series AP

WIRELESS AP MOUNTS NOW AVAILABLE FOR METRIC (600mm EUROPEAN) SUSPENDED CEILINGS

Oberon's [1046-600mm](#) and [1047-600mm Series](#) suspended ceiling access point mounting solutions are designed for the economics of high-density Wireless LAN AP installation. These products are designed for low-voltage, PoE-powered access points from leading vendors. The locking door provides an added degree of security. These products are designed to replace a standard 600mm ceiling tile in a suspended (or acoustic) ceiling.

Wireless Performance Benefits

- Ceiling mount is ideal location for AP performance
- Only the antenna face of the AP is exposed, providing for an aesthetic, professional installation without compromising wireless performance
- Large enough for largest 802.11ac Wave 2 APs and antennas, including Cisco's hyper-location antenna and cellular module

Maintenance Benefits

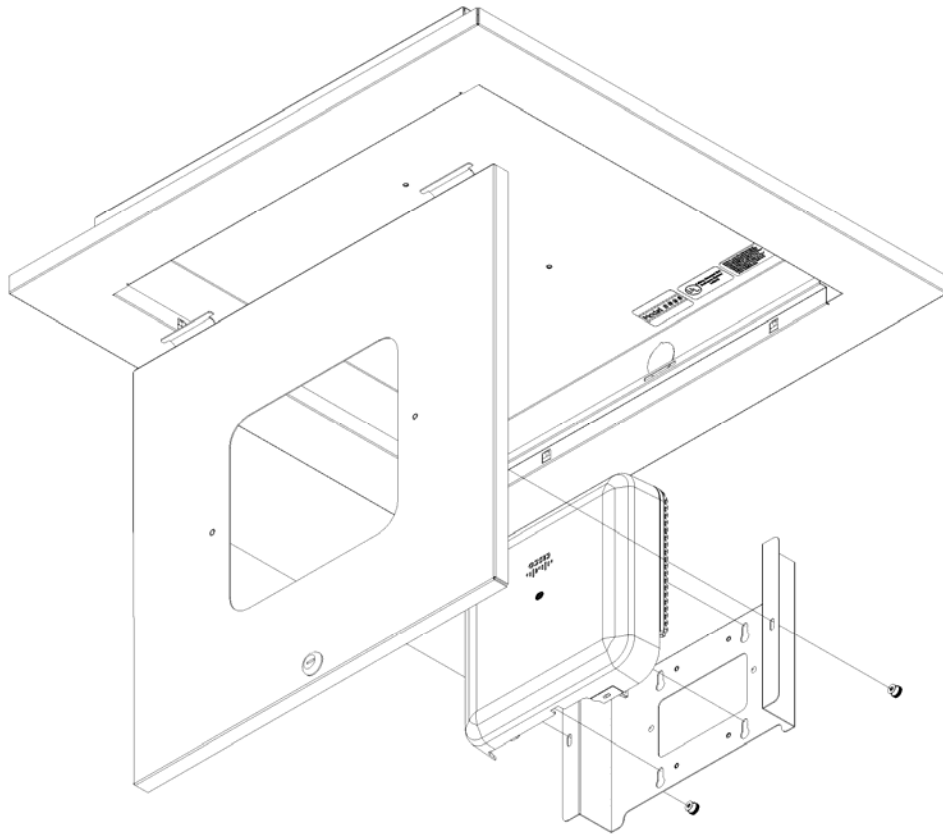
- Locking, interchangeable doors for APs swap out without loose hardware or nuts
- Redesigned AP mount attaches AP to door in seconds with minimal hardware
- Service or remove AP with lifting ceiling tiles, simplifying Infection Control procedure compliance in hospitals

Cabling Benefits

- Includes firestop grommet for cable egress for up to two Cat6A cables
- Knock-outs for keystone jack modules in back-box side wall
- Horizontal cable can be terminated inside the enclosure and attached to a biscuit jack, protecting the termination from dust prevalent in the above ceiling space
- Excessive horizontal cable can be coiled inside the enclosure if desired
- A non-plenum rated patch cord can be used inside the enclosure



*Model 1047-CCOAP3800-600mm
for Cisco APs.*



Oberon Model 1047-CCOAP3800-600mm - Quick-release door detaches without loose hardware or tools



Model 1047-HLA-600mm is shown with Cisco AP and Hyperlocation antenna mounted in the door