

specifications

The Net-Verse™ versatile Cabinets shall consist of a welded and assembled steel frame construction available in 600mm (23.6") and 800mm (31.5") widths, 1000mm (39.4") and 1200mm (47.3") depths, and 42 RU and 45 RU heights. Cabinets shall include curved perforated front single hinge doors with 69% air flow rate and split rear perforated doors. Cabinet shall have two horizontal locking side panels on each side or optional as an accessory. The cabinet shall have fully adjustable front and rear equipment rails. 800mm wide cabinet comes with provisions for front or rear cable management fingers and brackets that are available as an accessory. 800mm wide cabinets shall have vertical blanking panel with (4) 1RU vertical pass throughs and cover plates. The top of cabinet includes brush cable entry points to prevent air leakage. Cabinets shall have optional bottom panels with brush cable entry points and cover plates for effective air sealing. Cabinet shall have two full height PDU/cable management brackets, one on each side. The entire cabinet shall be fully electrically bonded, including equipment rails, doors, and side panels. The cabinet comes equipped with the necessary brackets and hardware to gang adjoining Net-Verse™ Cabinets. Cabinets shall have 1,360kg (3,000 lbs.) static load rating and 500kg (1,100 lbs.) rolling load rating.



technical information

Dimensions:	600mm W (23.6") x 1000mm D (39.4") x 2045mm H (80.5")
	600mm W (23.6") x 1000mm D (39.4") x 2178mm H (85.8")
	600mm W (23.6") x 1200mm D (47.3") x 2045mm H (80.5")
	600mm W (23.6") x 1200mm D (47.3") x 2178mm H (85.8")
	800mm W (31.5") x 1000mm D (39.4") x 2045mm H (80.5")
	800mm W (31.5") x 1000mm D (39.4") x 2178mm H (85.8")
	800mm W (31.5") x 1200mm D (47.3") x 2045mm H (80.5")
	800mm W (31.5") x 1200mm D (47.3") x 2178mm H (85.8")
Material:	Steel with durable black powder coat finish
Compliance:	EIA-310-E TIA/EIA-942 UL2416
Packaging:	Cabinet ships assembled, one per pallet

Net-Verse™ Cabinets

		800mm Width	600mm Width	
With Side Panels	42 RU	DN8212B	DN6212B	1000mm Depth
	45 RU	DN8512B	DN6512B	
	42 RU	DN8222B	DN6222B	1200mm Depth
	45 RU	DN8522B	DN6522B	
Without Side Panels	42 RU	DN8219B	DN6219B	1000mm Depth
	45 RU	DN8519B	DN6519B	
	42 RU	DN8229B	DN6229B	1200mm Depth
	45 RU	DN8529B	DN6529B	

key features and benefits

Doors	Curved perforated front single hinge doors with 69% air flow rate with two point locking system; perforated split hinge rear doors with three point locking system
Equipment rails	Fully adjustable equipment rails with RU markings to ensure correct location of IT equipment
Universal PDU brackets	Full height PDU brackets with provisions for securing and bundling cables
Horizontally split locking side panels	Provide easy secured access to installed equipment
Modular cable management fingers (Optional)	Provides bend radius control for each rack unit and can be positioned where required on cabinet posts for cable protection for increased network availability; provides design flexibility, scalability, and improved aesthetics for easier moves, adds, and changes
Durable coating	Cabinets are powder coated in a durable, low maintenance paint in black (RAL 9005)

applications

Net-Verse™ Cabinets are the preferred choice for applications that require maximum flexibility and the capacity to manage high cable density in data center, enterprise or co-location deployment. The Net-Verse™ Cabinets are also compatible with Panduit cable management accessories and the Net-Contain™ Universal Aisle Containment System.

Accessories

Cable Management Fingers with Mounting Brackets for 800mm Wide Cabinet

42 RU:	D12FBB
45 RU:	D15FBB

Vertical Blanking Panel

600mm width:	D6VBPB
--------------	--------

Bottom Cover Plates

600mm wide x 1000mm depth:	D61BCPB
600mm wide x 1200mm depth:	D62BCPB
800mm wide x 1000mm depth:	D81BCPB
800mm wide x 1200mm depth:	D82BCPB

Equipment Rails

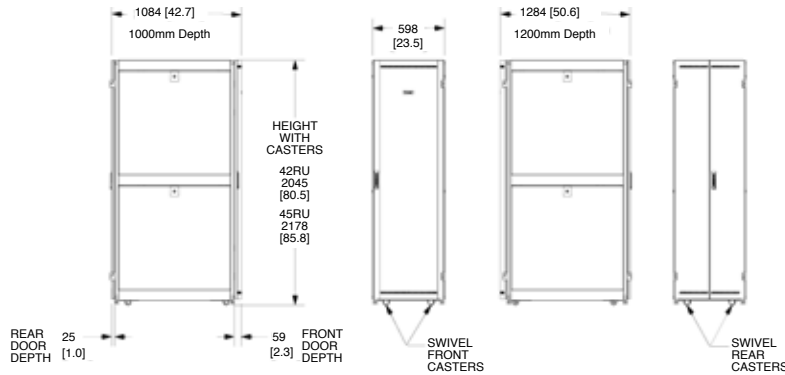
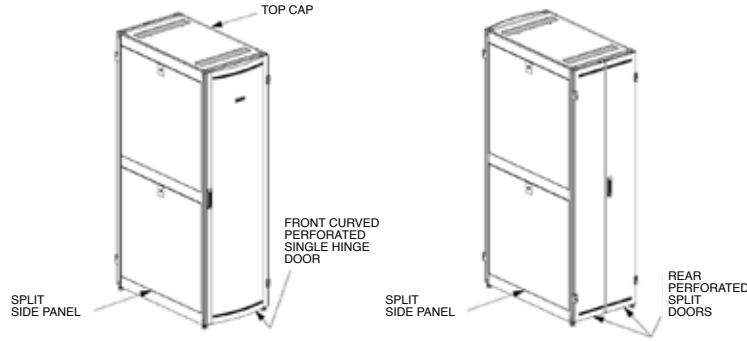
42 RU:	D2ERB
45 RU:	D5ERB

Side Panels

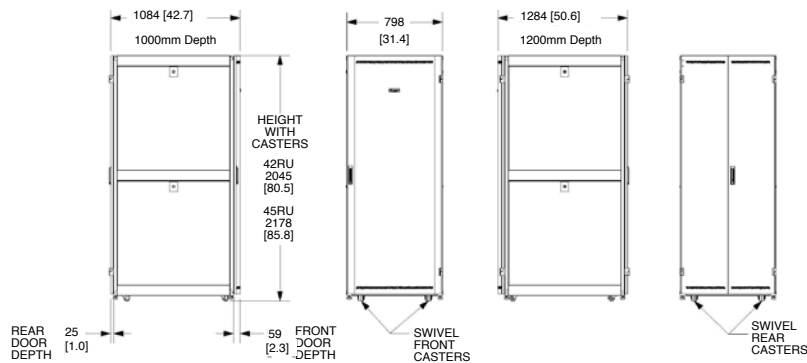
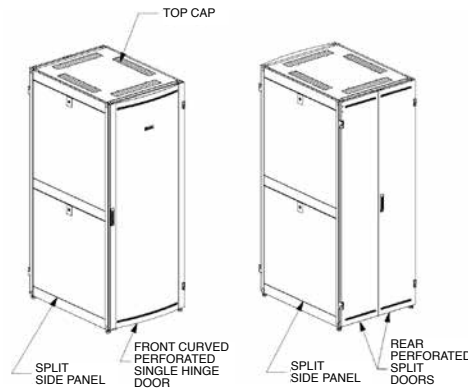
42 RU x 1000mm:	D21SPB
42 RU x 1200mm:	D22SPB
45 RU x 1000mm:	D51SPB
45 RU x 1200mm:	D52SPB

Net-Verse™ Cabinets

Net-Verse™ Cabinet 600mm W x 42/45 RU x 1000mm/1200mm D



Net-Verse™ Cabinet 800mm W x 42/45 RU x 1000mm/1200mm D



WORLDWIDE SUBSIDIARIES AND SALES OFFICES

PANDUIT US/CANADA
Phone: 800.777.3300

PANDUIT EUROPE LTD.
London, UK
Phone: 44.20.8601.7200

PANDUIT SINGAPORE PTE. LTD.
Republic of Singapore
Phone: 65.6305.7575

PANDUIT JAPAN
Tokyo, Japan
Phone: 81.3.6863.6000

PANDUIT LATIN AMERICA
Guadalajara, Mexico
Phone: 52.33.3777.6000

PANDUIT AUSTRALIA PTY. LTD.
Victoria, Australia
Phone: 61.3.9794.9020

For a copy of Panduit product warranties, log on to www.panduit.com/warranty



For more information
Visit us at www.panduit.com

©2016 Panduit Corp.
ALL RIGHTS RESERVED.
RKSP170--WW-ENG
11/2016