

# PaxLock Pro - Latch

## System specifications

Maximum total tokens	50,000
Maximum total users	10,000
Token compatibility	Paxton, EM4100/02, MIFARE®, MIFARE® Classic, MIFARE® DESFire® EV1, MIFARE Plus®, MIFARE Ultralight®, MIFARE Ultralight C®, MIFARE Mini®, HID® Prox (activation required)
Stored events	16,000
Hands free compatible	No
Door open time	1 - 60 seconds
Silent operation	Yes
Door Traffic	Typically up to 75 uses per day

## Electrical

Battery type	4x AA 1.5V Alkaline
Battery life	55,000 Operations

## Communication

Wireless	2.4GHz (IEEE 802.15.4)
Default Channel	25
Recommended wireless devices per Net2Air Bridge	10
Typical wireless range	15m/50ft
Encryption	AES128

## Features

Door widths supported	1- <sup>3</sup> / <sub>4</sub> " 2" (door kit required) 2- <sup>1</sup> / <sub>4</sub> " (door kit required)
Door contact	N/A
Rear handle exit request	Yes
Low battery warning	Yes
Depleted battery jumpstart terminals	Yes
Color	Black or White

## Lock case compatibility

Backset	≥ 2 <sup>3</sup> / <sub>4</sub> "
Rotation	≤45°
Cylinder type	N/A
Escape function	N/A
Compatibility	Tubular latch (as supplied)

## Environment

Operating temperature	Unsecure: -4°F ~ +131°F Secure: 32°F ~ +120°F
Fire resistance	N/A



The PaxLock Pro - Latch represents Paxton's 3rd generation of electronic door handle; offering a robust, featureful and aesthetically pleasing product suitable for a multitude of installations.

The new design has been created to be both simple to install, intuitive to use and backed up by Paxton's market leading 5 year warranty.

Offering two modes of operation the user can choose to use the PaxLock Pro - Latch as a standalone offline device or connect it to a Net2 system via a Paxton Net2Air bridge.

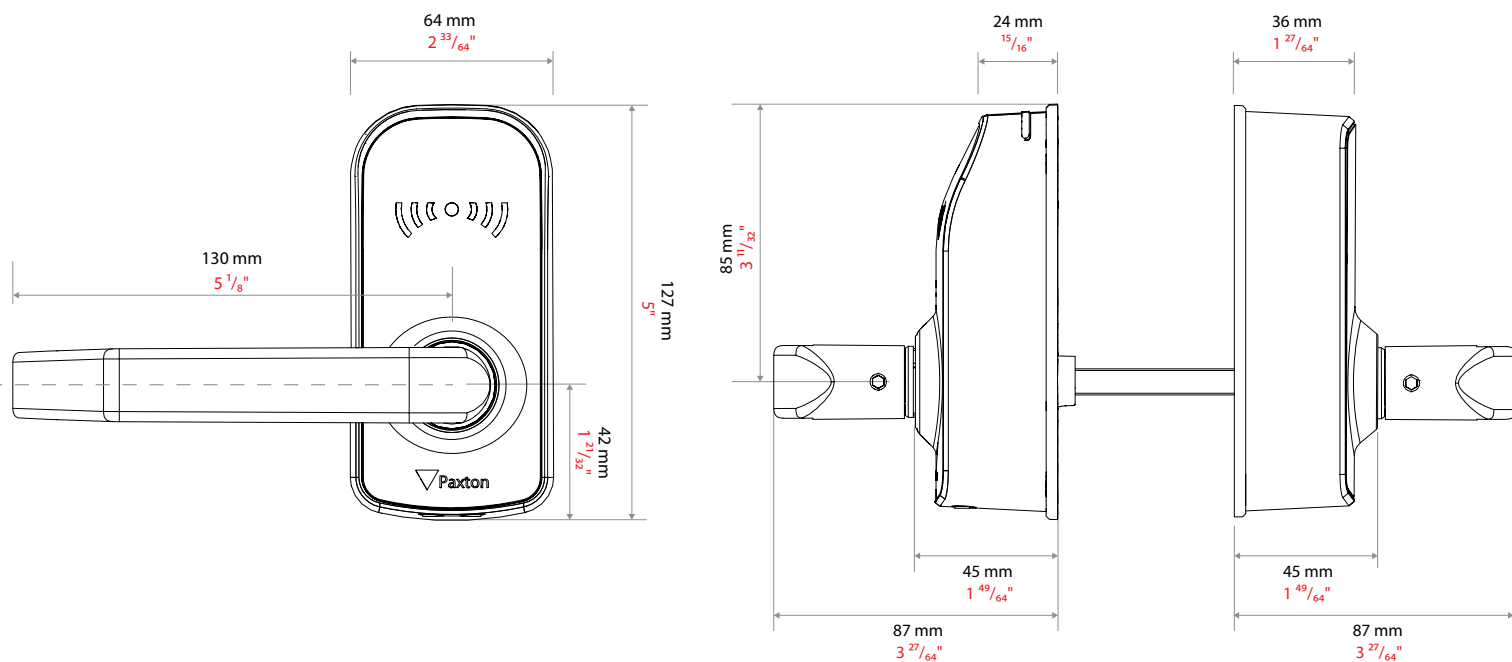
- Dual frequency reader
- Wireless real-time event reporting
- When PaxLock Pro - Latch is unlocked the handle moves freely
- Compatible with standard cylindrical doors using tubular latch
- Dual standalone and online functionality in one unit

Certification

FCC part 15	✓
ISED	✓
UL294	✓
CSA C22.2 NO. 205	✓

DS1066-US

Dimensions



Sales codes

- PaxLock Pro - Latch, Galaxy, white
- PaxLock Pro - Latch, Galaxy, black
- PaxLock Pro - Latch, Eclipse, white
- PaxLock Pro - Latch, Eclipse, black

- 900-120WT-US
- 900-120BL-US
- 900-130WT-US
- 900-130BL-US

Accessories

- PaxLock Pro - Latch, 2" door kit
- PaxLock Pro - Latch, 2-1/4" door kit

- 900-059-US
- 900-060-US

Demo Kit

- PaxLock Pro - US Demonstration kit, Mortise & Latch

- 900-901-US