

Sarix® IJP Series Indoor Micro Dome

UP TO 2 MEGAPIXEL, H.264, DAY/NIGHT IP DOMES

Product Features

- Up to 2 megapixel (MPx) resolution
- Up to 30 images per Second (ips) at 2 MPx
- Up to 64 GB edge storage with Micro SD card
- Motion detection and camera sabotage detection
- Operating temperature from -10° to 50°C (14° to 122°F)
- Power over Ethernet (PoE)
- Compatible with Pelco and third-party video systems
- ONVIF Profile S, Profile G, and Profile Q conformant
- Full 3-year warranty and support



Sarix Professional Range

Powerful, versatile, and affordable, the **Sarix® Professional (P)** range cameras pack the most popular features and functionality of Sarix technology into a wide range of indoor and outdoor options, including bullet cameras and mini domes. There are also indoor-only options such as a vandal resistant wedge and micro dome. Mix and match the performance options and form factor you need for almost any lighting condition, environment, and application.

Camera

Within the **Sarix Professional** range, the **Sarix IJP Series** micro dome cameras feature a 2.8 mm fixed lens and a 2-inch form factor for tight spaces. Additionally, the **Sarix IJP Series** features advanced color science and a mechanical IR cut filter for increased sensitivity in low-light installations.

Video

Sarix Professional range cameras support up to two simultaneous video streams and a third service stream. The two streams can be compressed with efficient H.264 High or Main profiles or MJPEG formats. The streams can be configured to a variety of frame rates and variable bit rates to optimize image quality with bandwidth and storage efficiency.

Edge Storage

Sarix Professional range cameras feature onboard edge storage with a micro SD card. Video clips of varying lengths can be stored to the card upon alarm, or video can be written continuously to the SD card in the case of network outage. Video can be retrieved from the card through the FTP protocol or by using an ONVIF Profile G enabled client.

Sarix Professional range cameras feature a simple motion detection algorithm that allows the camera to record or send an alarm when there is motion detected in a selected zone or within the entire scene. A camera sabotage alarm is triggered if the lens is obstructed or when the camera is repositioned.

Open and Integrated

Sarix Professional range cameras seamlessly connect to Pelco video management systems such as VideoXpert™, Endura® version 2.0 (or later), and Digital Sentry® version 7.3 (or later). **Sarix Professional** range cameras integrate with major third-party systems through the open Pelco API or the ONVIF Profile S, Profile G, and Profile Q standards.

Standard Web Interface

Pelco cameras use a standard Web browser interface for easy remote setup and administration. Controls are optimized for convenient one-step camera configuration for features including color, exposure, flicker control, and streaming.



by Schneider Electric



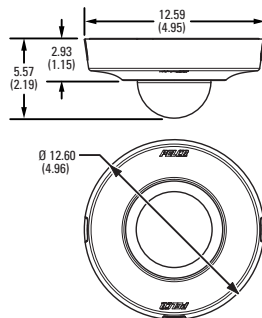
C4024 / REVISED 11-15-16

TECHNICAL SPECIFICATIONS

BACK BOX FEATURES



VALUES IN PARENTHESES ARE INCHES; ALL OTHERS ARE CENTIMETERS.



Surface Mount

- White, RAL 9003
- Plastic body; polycarbonate bubble

CAMERA

Imaging Device

MPx	Sensor	Maximum Resolution
2 MPx	1/2.8-inch	1920 x 1080 (2 MPx)
1 MPx	1/3-inch	1280 x 960 (1.2 MPx)

Imager Type

CMOS

Imager Readout

Progressive scan

Electronic Shutter Range

1/5 ~ 1/30,000 sec (1 MPx),
1/5 ~ 1/25,000 sec (2 MPx)

Wide Dynamic Range

75 db

White Balance Range

2,000° to 10,000°K

Noise Reduction

Yes (ON/OFF selectable)

Minimum Illumination

MPx	Sensitivity	Color		Mono	
		33 ms	200 ms	33 ms	200 ms
2 MPx	f/1.8	0.25 lux	0.02 lux	0.10 lux	0.01 lux
1 MPx	f/1.8	0.05 lux	0.02 lux	0.10 lux	0.01 lux

Mechanical IR Cut Filter

Yes (AUTO/MANUAL selectable), with different set points on lux

Signal to Noise Ratio

≥50 dB

LENS

Lens Type

Built-in; fixed

Focal Length

f/1.8, 2.8 mm

Field of View*

Lens	Angle of View	1 MPx	2 MPx
2.8 mm	Diagonal	128°	132.8°
	Horizontal	98°	115.1°
	Vertical	73.5°	64°

*Field of view may vary with changes in resolution settings.

TECHNICAL SPECIFICATIONS

VIDEO

Video Streams Up to 2 simultaneous streams, plus service stream; the secondary stream is variable based on the setup of the primary stream
 Video Overlay Camera name, time, date, and customizable text with multiple supported languages

Available Resolutions

MPx	Width	Height	Aspect Ratio
2.1	1920	1080	16:9
1.9	1600	1200	4:3
1.2	1280	960	4:3
0.9	1280	720	16:9
0.5	800	600	4:3
0.3	640	480	4:3
0.1	320	240	4:3
0.1	320	180	16:9

Frame Rates

MPx	Images per Second (ips)
2 MPx	30 (full), 20, 25, 16.67, 15, 12.5, 10, 5, 1
1 MPx	30 (full), 20, 25, 16.67, 15, 12.5, 10, 5, 1

Note: Available frame rates are selectable for each independent stream depending on the coding, resolution, and stream configuration.

Video Encoding H.264 High, Main, or Baseline profiles; and MJPEG
 Bit Rate Control Constant bit rate (CBR), constrained variable bit rate (CVBR) with configurable maximum value
 Corridor Mode Electronic image flip and mirror: 180°, 90° and 270° (H.264 only)
 Service Stream 640 x 480 or 640 x 352; 2 ips, JPEG
 Window Blanking 4 configurable windows

AUDIO

Streaming Bi-directional
 Input Line in and out
 Encoding G.711 A-law/G.711 U-law

ELECTRICAL

Network Port RJ-45 connector for 100Base-TX
 Power Input PoE (IEEE 802.3af) Class 2
 Power Consumption <4.3 W
 Local Storage Up to 64 GB on Micro SDHC or SDXC card
 Alarm
 Input 1
 Output 1; PhotoMOS™ relay (30 V, 1 A)
 Triggers Unsupervised mode that detects switch closures (N.O. and N.C.)

ENVIRONMENTAL

Operating Temperature -10° to 50°C (14° to 122°F)
 Storage Temperature -40° to 60°C (-40° to 140°F)
 Operating Humidity 5% to 90%, RH noncondensing

GENERAL

Construction Plastic body; polycarbonate bubble
 Finish White, RAL 9003; satin texture
 Pan/Tilt Adjustment Manual
 Pan 355°
 Tilt 90°
 Rotate 350°
 Unit Weight 0.20 kg (.44 lb)
 Shipping Weight 0.25 kg (.55 lb)

NETWORK

Supported Protocols TCP/IP, UDP/IP (unicast, multicast IGMP), ICMP, IPv4, IPv6, SNMP v2c/v3, HTTP, HTTPS, SSL, SSH, SMTP, FTP, RTSP, UPnP, DNS, NTP, RTP, RTCP, LDAP (client), QoS, GB28181

Users
 Unicast 1 administrator, up to 4 viewers
 Multicast Unlimited users H.264
 Security Access Multiple user access levels with password protection

INTEGRATION

Video Management VideoXpert;
 Endura version 2.0 (or later);
 Digital Sentry 7.3 (or later);
 Third-party VMS through Pelco API, ONVIF Profile S, Profile G, and Profile Q
 Pelco Mobile
 Simple motion detection and camera sabotage detection
 Capture 1-, 5- or 10-second video clips on camera sabotage, motion detection, or alarm input; record video continuously in the case of network outage with option to overwrite; access video through FTP protocol and ONVIF Profile G
 Mobile Application
 Analytics
 Local Storage
 Camera Discovery and Firmware Discover cameras and upgrade firmware using the Pelco Device Utility 2 version 2.2 or later; or Pelco Utilities
 Web Browser Support Microsoft® Internet Explorer® 9.0, Apple® Safari® 7.0.6, Mozilla® Firefox® 31.0, Google® Chrome™ 37.0.2062.124 m and later
 Multilingual User Interface English, French, German, Italian, Portuguese, Arabic, Russian, Spanish, Turkish, Korean, Simplified Chinese

TECHNICAL SPECIFICATIONS

SYSTEM MODEL NUMBERS*

Resolution	Lens	Model Number	Description
1 MPx	2.8 mm	IJP121-1IS	Sarix Pro Indoor Micro Dome
2 MPx	2.8 mm	IJP221-1IS	Sarix Pro Indoor Micro Dome

*System options contain a back box/mount, camera, and clear dome.

CERTIFICATIONS*

- CE - EN 55022 (Class A), EN 50130-4, EN 60950-1
- FCC (Class A) - 47 CFR Part 15
- UL and cUL Listed - UL 60950-1, CAN/CSA-C22.2 No. 60950-1-07
- ICES-003 (Class A)
- RCM
- KC
- ONVIF Profile S, Profile G, and Profile Q conformant

* At the time of this publication, certifications are pending. Consult the factory or www.pelco.com for the current status of certifications.

RECOMMENDED MOUNTS

IMPPMB-11 Wall mount bracket for indoor models (requires IMPEBAP adapter)

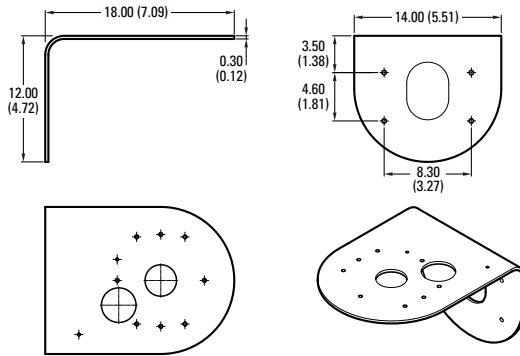
OPTIONAL ACCESSORIES

IMPEBAP 4S electrical box adapter

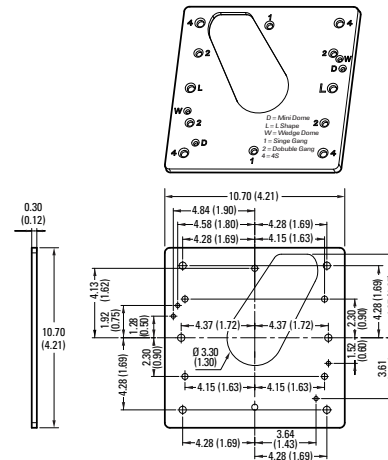


VALUES IN PARENTHESES ARE INCHES; ALL OTHERS ARE CENTIMETERS

IMPPMB-11 WALL MOUNT BRACKET



IMPEBAP BOX ADAPTER



Pelco by Schneider Electric

3500 Pelco Way, Clovis, California 93612-5699 United States

USA & Canada Tel (800) 289-9100 Fax (800) 289-9150

International Tel +1 (559) 292-1981 Fax +1 (559) 348-1120

www.pelco.com www.pelco.com/community

Pelco, the Pelco logo, and other trademarks associated with Pelco products referred to in this publication are trademarks of Pelco, Inc. or its affiliates. ONVIF and the ONVIF logo are trademarks of ONVIF Inc. All other product names and services are the property of their respective companies.

Product specifications and availability are subject to change without notice.

©Copyright 2016, Pelco, Inc. All rights reserved.