

ABB IEC 60 309 International Pin and Sleeve

In this section...



ABB IEC 60 309 International Pin and Sleeve

Overview	72–75
IP67 Pin and Sleeve Plugs & Connectors	76–78
IP67 Mechanical Interlocks	79
Accessories	80
Technical Data	81
Dimensions.....	82–83
Specifications	84–85

Thomas&Betts

A Member of the ABB Group

www.tnb.com

ABB IEC 60 309 International Pin and Sleeve

Approved According to IEC 60 309-1, -2, -4 — Range from 16 up to 125 Amp, up to 600V, IP67 (Watertight)



Safety

- **Proven performance:** With more than 30 years of experience, ABB IEC Pin and Sleeve Connectors are the brand of choice around the globe
- **Added safety measures:** Plugs and connectors are equipped with a double cable clamp system to prevent cable detachment and provide a higher level of cable strain relief
- **Safe connections:** Mechanical interlocks guarantee no access to plug insertion or removal until power is off

Durability

- **Designed for durability:** The housings are made of thermoplastic polyester (PBT) grade Valox® 357 material, which guarantees highest possible durability in this industry
- **Lasting components:** Interconnectors are highly resistant to chemicals like mineral and organic acid, organic solvents and petroleum
- **Built to last:** All external screws are made of stainless steel to prevent corrosion
- **Reinforced for high current reliability:** The contact carrier is made of fiberglass-reinforced nylon material for sizes between 60A–125A, which reduces the need for and expense of replacement parts

Performance

- **Continuing operation:** The self-cleaning pin and sleeve design keeps the connection resistance on the lowest level, reducing down time
- **Long lasting:** Machine-calibrated sleeves with stainless steel springs provide accurate contact pressure over time
- **Resilience:** Corrosion-resistant steel screws at terminals provide clamping pressure over time
- **Easy installation:** Clear terminal markings inside and at the front of the devices

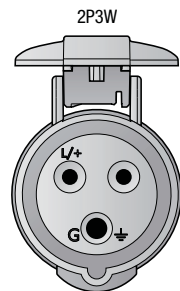
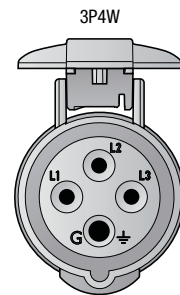
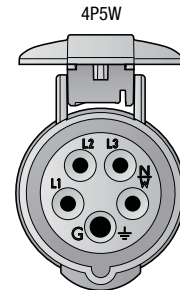
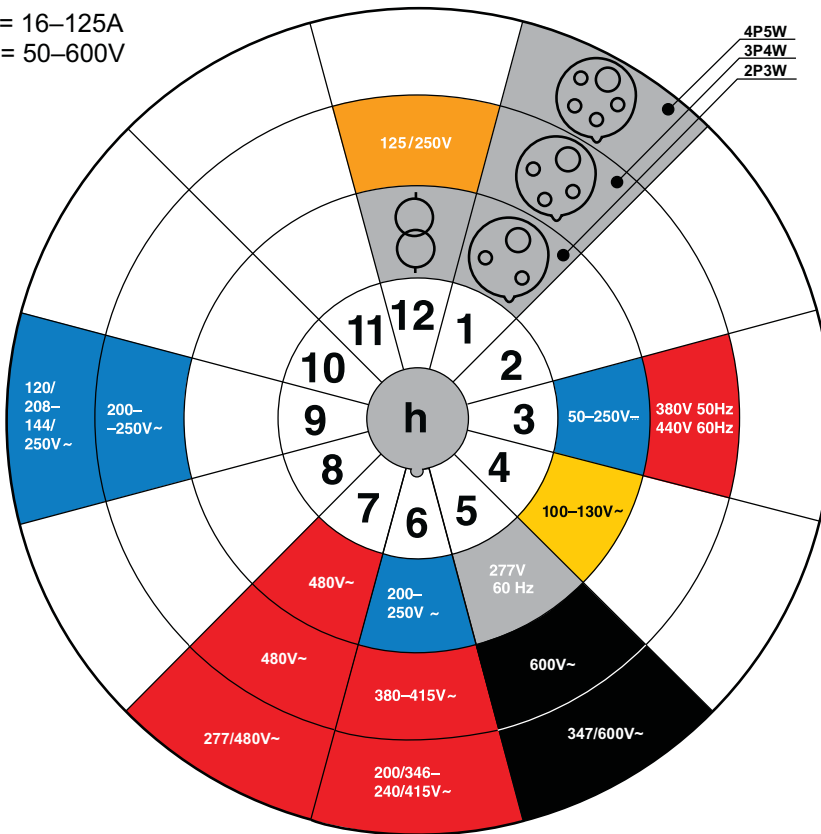


Valox is a registered trademark of SABIC.

ABB IEC 60 309 International Pin and Sleeve

IEC 60 309-2 “Clock”

$I_o = 16-125A$
 $U_o = 50-600V$



Russellstoll® Pin and Sleeve Power Connectors

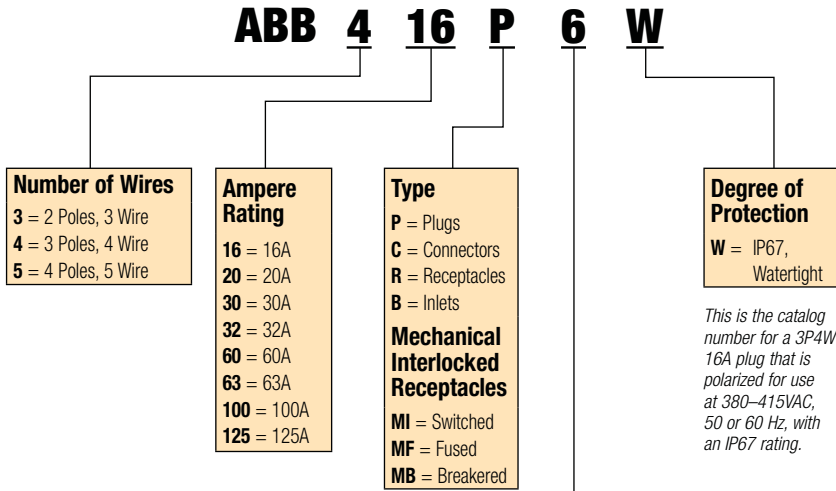
Standard voltages

Color codes according to IEC 60 309-1, -2

POSITION OF EARTHING SLEEVE ACCORDING TO IEC 60309-2 (CLOCK)		2P3W	3P4W	4P5W
1	■	Optional voltage (not stated below)	■	Optional voltage (not stated below)
3	■	50-250V DC	■	380V 50 Hz to 440V 60 Hz
4	■	100-130V 50/60 Hz		
5	■	277V 60 Hz	■	600V 50/60 Hz
6	■	200-250V 50/60 Hz	■	380-415V 50/60 Hz
7	■	480V 50/60 Hz	■	480V 50/60 Hz
9			■	200-250V 50/60 Hz
12	■	Supply from isolating transformer	■	125/250V

ABB IEC 60 309 International Pin and Sleeve

Part Number Configuration



Standard voltages

Color codes according to IEC 60 309-1, -2

POSITION OF EARTHING SLEEVE ACCORDING TO IEC 60309-2 (CLOCK)		2P3W	3P4W	4P5W
1	■	Optional voltage (not stated below)	■	Optional voltage (not stated below)
3	■	50–250V DC	■	380V 50 Hz to 440V 60 Hz
4	■	100–130V 50/60 Hz		
5	■	277V 60 Hz	■	347/600V 50/60 Hz
6	■	200–250V 50/60 Hz	■	200/346–240/415V 50/60 Hz
7	■	480V 50/60 Hz	■	277/480V 50/60 Hz
9			■	120/208–144/250V 50/60 Hz
12	■	Supply from isolating transformer	■	125/250V

ABB IEC 60 309 International Pin and Sleeve

Mechanical Interlocks

Mechanical Interlocks are used in applications with high demands on safety, durability and performance. Perfect for applications with frequent connection/disconnection, and to use in public areas.

The housing is made of thermoplastic polyester (PBT) grade Valox® 357 material, which is a tough plastic that withstands heavy-duty usage and most chemicals found in industrial environments.

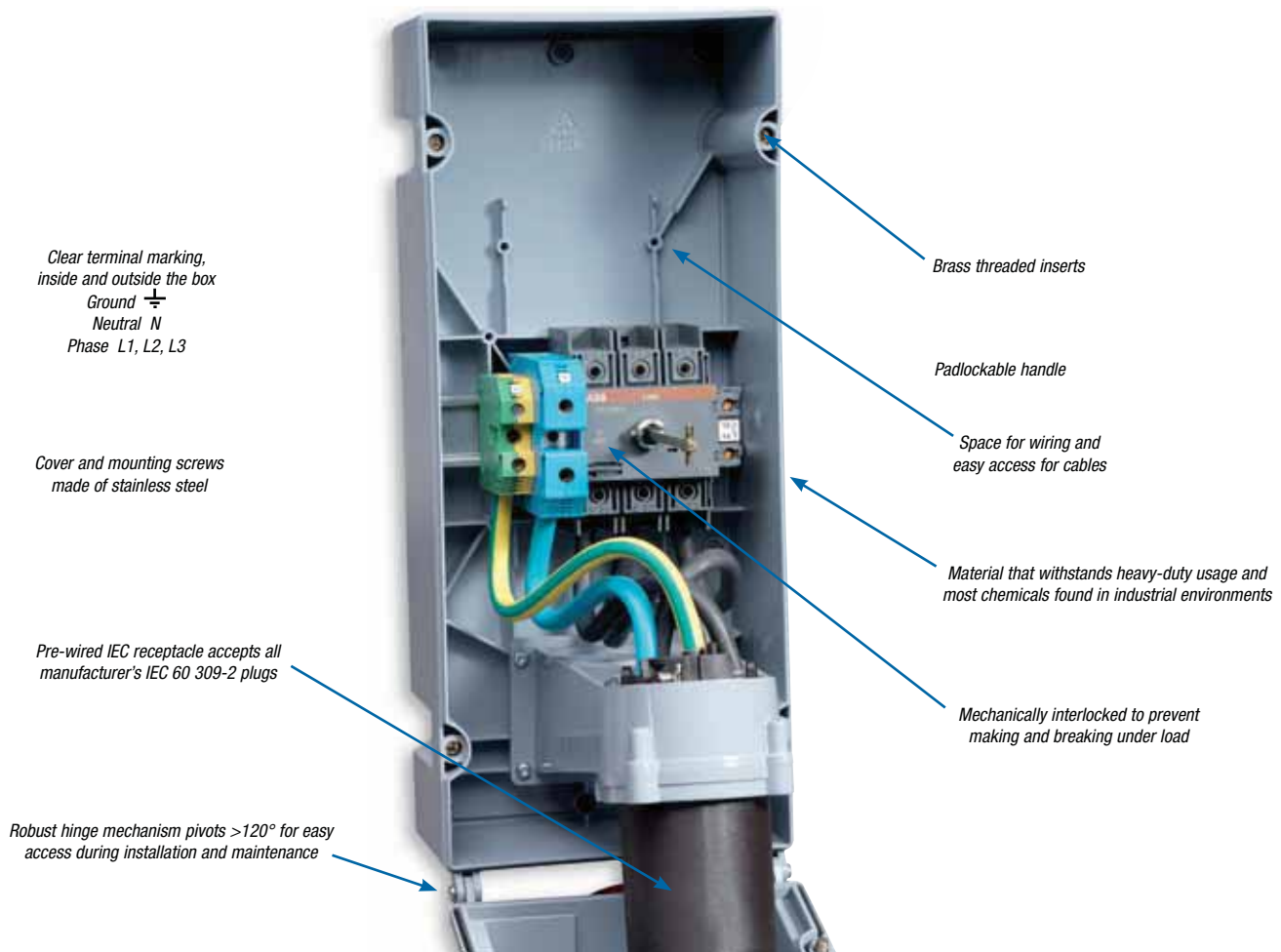
Features

- IP67 watertight
- 16–125A, 50–600VAC
- IEC 60 309-2, -4
- All external screws are made of stainless steel

Application examples

- Chemical industry
- Sawmills
- Airports
- Hospitals

ABB4100M16W



Valox is a registered trademark of SABIC.

ABB IEC 60 309 International Pin and Sleeve

Pin and Sleeve Plugs & Connectors

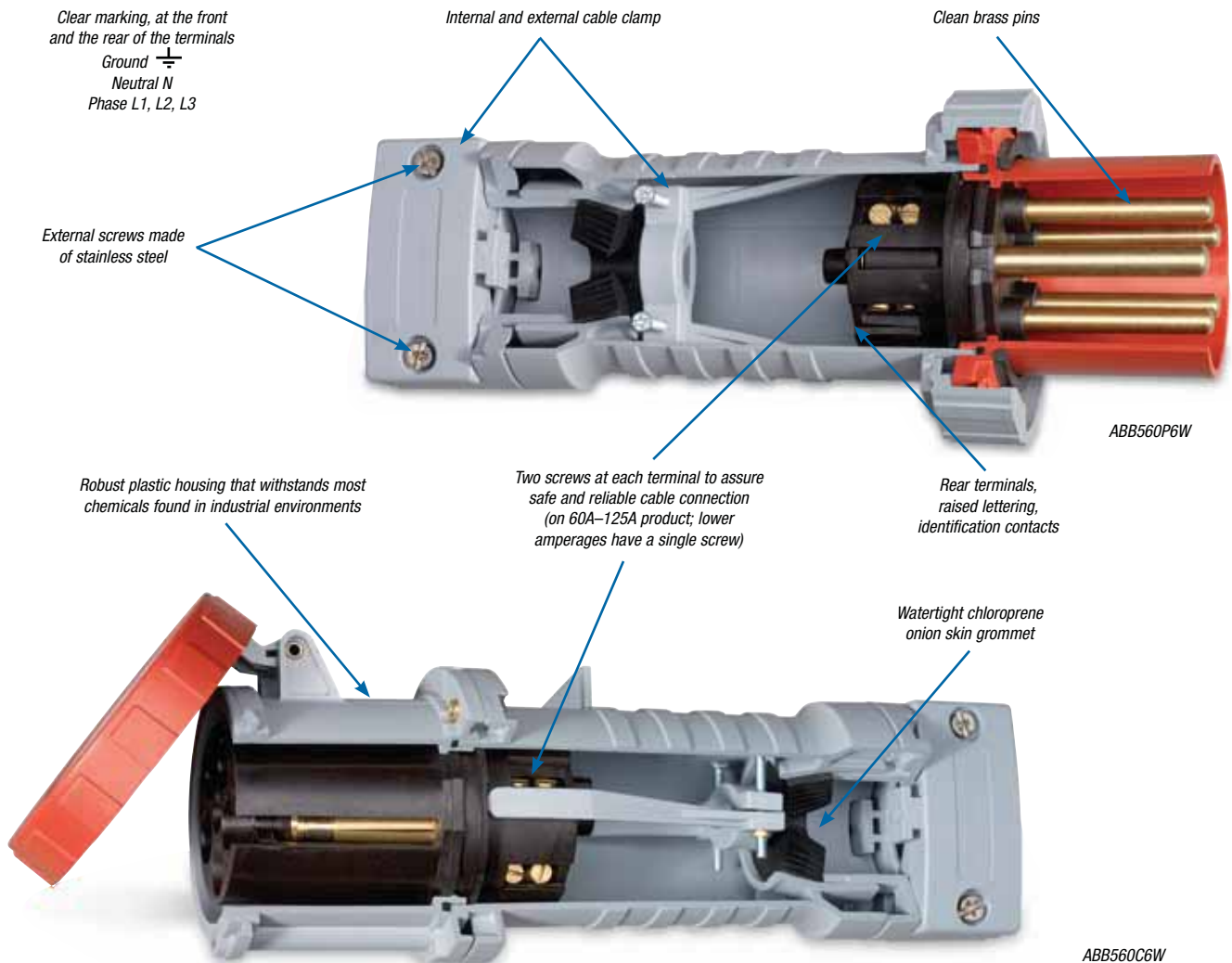
Pin and Sleeve Plugs & Connectors are for applications in environments that have high demand of functionality and safety. The robust housing is made of thermoplastic polyester (PBT) grade Valox® 357 material. The product is available as watertight (IP67, 16–125A). The devices are equipped with internal and external cable clamps. The 100A and 125A devices are equipped with two screws on each terminal.

Features

- IP67 watertight
- 16–125A, 50–600VAC
- IEC 60 309-1, -2
- All external screws are made of stainless steel

Application examples

- Industry/workshops
- Harbors/shipyards
- Mines
- Food & beverage



Valox is a registered trademark of SABIC.

ABB IEC 60 309 International Pin and Sleeve

IP67 Rated (Watertight)



Russellstoll® Pin and Sleeve Power Connectors

	POLES & WIRES	VOLTAGE (VAC*)	CLOCK HOUR	PLUG	CONNECTOR	RECEPTACLE	INLET	BACK BOX
16 Amp	2P3W	100–130	4h	ABB316P4W	ABB316C4W	ABB316R4W	ABB316B4W	BB 30
	2P3W	200–250	6h	ABB316P6W	ABB316C6W	ABB316R6W	ABB316B6W	BB 30
	3P4W	380–415	6h	ABB416P6W	ABB416C6W	ABB416R6W	ABB416B6W	BB 30
	4P5W	200/346–240/415	6h	ABB516P6W	ABB516C6W	ABB516R6W	ABB516B6W	BB 30
20 Amp	2P3W	100–130	4h	ABB320P4W	ABB320C4W	ABB320R4W	ABB320B4W	BB 30
	2P3W	200–250	6h	ABB320P6W	ABB320C6W	ABB320R6W	ABB320B6W	BB 30
	2P3W	277	5h	ABB320P5W	ABB320C5W	ABB320R5W	ABB320B5W	BB 30
	2P3W	480	7h	ABB320P7W	ABB320C7W	ABB320R7W	ABB320B7W	BB 30
	3P4W	125/250	12h	ABB420P12W	ABB420C12W	ABB420R12W	ABB420B12W	BB 30
	3P4W	3Ø 200–250	9h	ABB420P9W	ABB420C9W	ABB420R9W	ABB420B9W	BB 30
	3P4W	3Ø 480	7h	ABB420P7W	ABB420C7W	ABB420R7W	ABB420B7W	BB 30
	3P4W	3Ø 600	5h	ABB420P5W	ABB420C5W	ABB420R5W	ABB420B5W	BB 30
	4P5W	3ØY 120/208–144/250	9h	ABB520P9W	ABB520C9W	ABB520R9W	ABB520B9W	BB 30
	4P5W	3ØY 277/480	7h	ABB520P7W	ABB520C7W	ABB520R7W	ABB520B7W	BB 30
	4P5W	3ØY 347/600	5h	ABB520P5W	ABB520C5W	ABB520R5W	ABB520B5W	BB 30
	30 Amp	2P3W	100–130	4h	ABB330P4W	ABB330C4W	ABB330R4W	ABB330B4W
2P3W		200–250	6h	ABB330P6W	ABB330C6W	ABB330R6W	ABB330B6W	BB 30
2P3W		277	5h	ABB330P5W	ABB330C5W	ABB330R5W	ABB330B5W	BB 30
2P3W		480	7h	ABB330P7W	ABB330C7W	ABB330R7W	ABB330B7W	BB 30
3P4W		125/250	12h	ABB430P12W	ABB430C12W	ABB430R12W	ABB430B12W	BB 30
3P4W		3Ø 200–250	9h	ABB430P9W	ABB430C9W	ABB430R9W	ABB430B9W	BB 30
3P4W		3Ø 480	7h	ABB430P7W	ABB430C7W	ABB430R7W	ABB430B7W	BB 30
3P4W		3Ø 600	5h	ABB430P5W	ABB430C5W	ABB430R5W	ABB430B5W	BB 30
4P5W		3ØY 120/208–144/250	9h	ABB530P9W	ABB530C9W	ABB530R9W	ABB530B9W	BB 30
4P5W		3ØY 277/480	7h	ABB530P7W	ABB530C7W	ABB530R7W	ABB530B7W	BB 30
4P5W		3ØY 347/600	5h	ABB530P5W	ABB530C5W	ABB530R5W	ABB530B5W	BB 30
32 Amp		2P3W	100–130	4h	ABB332P4W	ABB332C4W	ABB332R4W	ABB332B4W
	2P3W	200–250	6h	ABB332P6W	ABB332C6W	ABB332R6W	ABB332B6W	BB 30
	3P4W	380–415	6h	ABB432P6W	ABB432C6W	ABB432R6W	ABB432B6W	BB 30
	3P4W	380 50 Hz/440 60 Hz	3h	ABB432P3W	ABB432C3W	ABB432R3W	ABB432B3W	BB 30
	4P5W	200/346–240/415	6h	ABB532P6W	ABB532C6W	ABB532R6W	ABB532B6W	BB 30

* Unless otherwise noted.

ABB IEC 60 309 International Pin and Sleeve

IP67 Rated (Watertight)



	POLES & WIRES	VOLTAGE (VAC*)	CLOCK HOUR	PLUG	CONNECTOR	RECEPTACLE	INLET	BACK BOX
60 Amp	2P3W	100-130	4h	ABB360P4W	ABB360C4W	ABB360R4W	ABB360B4W	BB 60
	2P3W	200-250	6h	ABB360P6W	ABB360C6W	ABB360R6W	ABB360B6W	BB 60
	2P3W	277	5h	ABB360P5W	ABB360C5W	ABB360R5W	ABB360B5W	BB 60
	2P3W	480	7h	ABB360P7W	ABB360C7W	ABB360R7W	ABB360B7W	BB 60
	2P3W	50-250VDC	3h	ABB360P3W	ABB360C3W	ABB360R3W	ABB360B3W	BB 60
	3P4W	125/250	12h	ABB460P12W	ABB460C12W	ABB460R12W	ABB460B12W	BB 60
	3P4W	3Ø 200-250	9h	ABB460P9W	ABB460C9W	ABB460R9W	ABB460B9W	BB 60
	3P4W	3Ø 480	7h	ABB460P7W	ABB460C7W	ABB460R7W	ABB460B7W	BB 60
	3P4W	3Ø 600	5h	ABB460P5W	ABB460C5W	ABB460R5W	ABB460B5W	BB 60
	4P5W	3ØY 120/208-144/250	9h	ABB560P9W	ABB560C9W	ABB560R9W	ABB560B9W	BB 60
	4P5W	3ØY 277/480	7h	ABB560P7W	ABB560C7W	ABB560R7W	ABB560B7W	BB 60
	4P5W	3ØY 347/600	5h	ABB560P5W	ABB560C5W	ABB560R5W	ABB560B5W	BB 60
63 Amp	2P3W	200-250	6h	ABB363P6W	ABB363C6W	ABB363R6W	ABB363B6W	BB 60
	3P4W	380-415	6h	ABB463P6W	ABB463C6W	ABB463R6W	ABB463B6W	BB 60
	4P5W	200/346-240/415	6h	ABB563P6W	ABB563C6W	ABB563R6W	ABB563B6W	BB 60
100 Amp	2P3W	100-130	4h	ABB3100P4W	ABB3100C4W	ABB3100R4W	ABB3100B4W	BB 100
	2P3W	200-250	6h	ABB3100P6W	ABB3100C6W	ABB3100R6W	ABB3100B6W	BB 100
	2P3W	277	5h	ABB3100P5W	ABB3100C5W	ABB3100R5W	ABB3100B5W	BB 100
	2P3W	480	7h	ABB3100P7W	ABB3100C7W	ABB3100R7W	ABB3100B7W	BB 100
	3P4W	125/250	12h	ABB4100P12W	ABB4100C12W	ABB4100R12W	ABB4100B12W	BB 100
	3P4W	3Ø 200-250	9h	ABB4100P9W	ABB4100C9W	ABB4100R9W	ABB4100B9W	BB 100
	3P4W	3Ø 480	7h	ABB4100P7W	ABB4100C7W	ABB4100R7W	ABB4100B7W	BB 100
	3P4W	3Ø 600	5h	ABB4100P5W	ABB4100C5W	ABB4100R5W	ABB4100B5W	BB 100
	4P5W	3ØY 120/208-144/250	9h	ABB5100P9W	ABB5100C9W	ABB5100R9W	ABB5100B9W	BB 100
	4P5W	3ØY 277/480	7h	ABB5100P7W	ABB5100C7W	ABB5100R7W	ABB5100B7W	BB 100
4P5W	3ØY 347/600	5h	ABB5100P5W	ABB5100C5W	ABB5100R5W	ABB5100B5W	BB 100	
125 Amp	2P3W	200-250	6h	ABB3125P6W	ABB3125C6W	ABB3125R6W	ABB3125B6W	BB 100
	3P4W	380-415	6h	ABB4125P6W	ABB4125C6W	ABB4125R6W	ABB4125B6W	BB 100
	4P5W	200/346-240/415	6h	ABB5125P6W	ABB5125C6W	ABB5125R6W	ABB5125B6W	BB 100

* Unless otherwise noted.

ABB IEC 60 309 International Pin and Sleeve

Mechanical Interlocks IP67 Rated (Watertight)



Russellstoll® Pin and Sleeve Power Connectors

	POLES & WIRES	VOLTAGE (VAC)	CLOCK HOUR	SWITCHED	FUSED	BREAKERED	MATING PLUG
20 Amp	2P3W	200–250	6h	ABB320MI6W	N/A	N/A	ABB320P6W
	2P3W	480	7h	ABB320MI7W	N/A	N/A	ABB320P7W
	3P4W	125/250	12h	ABB420MI12W	ABB420MF12W	N/A	ABB420P12W
	3P4W	3Ø 200–250	9h	ABB420MI9W	ABB420MF9W	N/A	ABB420P9W
	3P4W	3Ø 480	7h	ABB420MI7W	ABB420MF7W	N/A	ABB420P7W
	3P4W	3Ø 600	5h	ABB420MI5W	ABB420MF5W	N/A	ABB420P5W
	4P5W	3ØY 120/208–144/250	9h	ABB520MI9W	N/A	N/A	ABB520P9W
	4P5W	3ØY 277/480	7h	ABB520MI7W	N/A	N/A	ABB520P7W
	4P5W	3ØY 347/600	5h	ABB520MI5W	N/A	N/A	ABB520P5W
30 Amp	2P3W	100–130	4h	ABB330MI4W	N/A	N/A	ABB330P4W
	2P3W	200–250	6h	ABB330MI6W	N/A	N/A	ABB330P6W
	2P3W	480	7h	ABB330MI7W	N/A	N/A	ABB330P7W
	3P4W	125/250	12h	ABB430MI12W	ABB430MF12W	N/A	ABB430P12W
	3P4W	3Ø 200–250	9h	ABB430MI9W	ABB430MF9W	N/A	ABB430P9W
	3P4W	3Ø 480	7h	ABB430MI7W	ABB430MF7W	N/A	ABB430P7W
	3P4W	3Ø 600	5h	ABB430MI5W	ABB430MF5W	N/A	ABB430P5W
	4P5W	3ØY 120/208–144/250	9h	ABB530MI9W	N/A	N/A	ABB530P9W
	4P5W	3ØY 277/480	7h	ABB530MI7W	ABB530MF7W	N/A	ABB530P7W
4P5W	3ØY 347/600	5h	ABB530MI5W	ABB530MF5W	N/A	ABB530P5W	
32 Amp	3P4W	380 50 Hz/440 60 Hz	3h	ABB432MI3W	N/A	N/A	ABB332P3W
60 Amp	2P3W	100–130	4h	ABB360MI4W	N/A	N/A	ABB360P4W
	2P3W	200–250	6h	ABB360MI6W	ABB360MF6W	N/A	ABB360P6W
	2P3W	480	7h	ABB360MI7W	N/A	N/A	ABB360P7W
	3P4W	125/250	12h	ABB460MI12W	ABB460MF12W	N/A	ABB460P12W
	3P4W	3Ø 200–250	9h	ABB460MI9W	ABB460MF9W	N/A	ABB460P9W
	3P4W	3Ø 480	7h	ABB460MI7W	ABB460MF7W	N/A	ABB460P7W
	3P4W	3Ø 600	5h	ABB460MI5W	ABB460MF5W	N/A	ABB460P5W
	4P5W	3ØY 120/208–144/250	9h	ABB560MI9W	ABB560MF9W	N/A	ABB560P9W
	4P5W	3ØY 277/480	7h	ABB560MI7W	N/A	N/A	ABB560P7W
4P5W	3ØY 347/600	5h	ABB560MI5W	N/A	N/A	ABB560P5W	
100 Amp	2P3W	100–130	4h	ABB3100MI4W	N/A	N/A	ABB3100P4W
	2P3W	200–250	6h	ABB3100MI6W	N/A	N/A	ABB3100P6W
	2P3W	480	7h	ABB3100MI7W	N/A	N/A	ABB3100P7W
	3P4W	125/250	12h	ABB4100MI12W	N/A	ABB4100MB12W	ABB4100P12W
	3P4W	3Ø 200–250	9h	ABB4100MI9W	N/A	ABB4100MB9W	ABB4100P9W
	3P4W	3Ø 480	7h	ABB4100MI7W	N/A	ABB4100MB7W	ABB4100P7W
	3P4W	3Ø 600	5h	ABB4100MI5W	N/A	N/A	ABB4100P5W
	4P5W	3ØY 120/208–144/250	9h	ABB5100MI9W	N/A	ABB5100MB9W	ABB5100P9W
	4P5W	3ØY 277/480	7h	ABB5100MI7W	N/A	ABB5100MB7W	ABB5100P7W

ABB IEC 60 309 International Pin and Sleeve

Accessories — Plugblocker

Lockout/tagout for plugs and inlets. Can be used for any IEC 60309-1 and 60309-2 plug or inlet, IP67 products.

TO FIT	CAT. NO.
Plugs 16–125A	CLF20–100
Panel Mounted Inlets 16–125A	
Surface Mounted Inlets 16–125A	



Accessories — Protective Cover 16–125A, IP67

Material in EPDM Rubber

FOR INLET AND PLUG	CAT. NO.
16A & 20A, 2P3W	ABB GP320
16A & 20A, 3P4W	ABB GP420
16A & 20A, 4P5W	ABB GP520
30A & 32A, 2P3W and 3P4W	ABB GP330/430
30A & 32A, 4P5W	ABB GP530
60A & 63A, 2P3W, 3P4W and 4P5W	ABB GP60
100A & 125A, 2P3W, 3P4W and 4P5W	ABB GP100



ABB IEC 60 309 International Pin and Sleeve

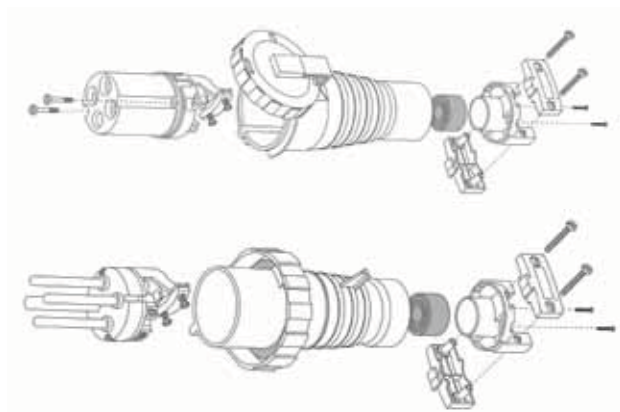
Technical Data IP67 Products

Tightening Guide

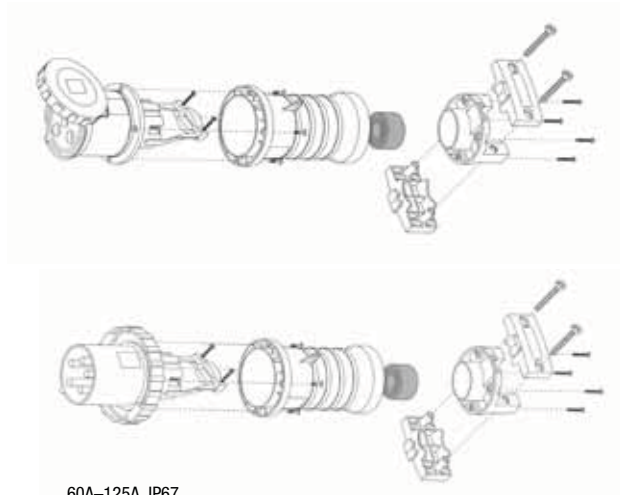
DEVICE	TERMINAL SCREWS (IN. LBS./NM)	INTERNAL CABLE CLAMP SCREWS (IN. LBS./NM)	EXTERNAL CABLE CLAMP SCREWS (IN. LBS./NM)	ASSEMBLY SCREWS (IN. LBS./NM)
16A-20A	7.1/0.8	10.6/1.2	17.7/2.0	10.6/1.2
30A-32A	10.6/1.2	10.6/1.2	17.7/2.0	10.6/1.2
60A-63A	31/3.5	10.6/1.5	26.6/3.0	10.6/1.2
100A-125A	50/5.6	17.7/2.0	26.6/3.0	17.7/2.0

Wire Sizes

DEVICE	CABLE DIMENSION RANGE (IN./MM)
16A-20A, 2P3W	0.350-0.860/9-22
16A-20A, 3P4W	0.350-0.86/9-22
16A-20A, 4P5W	0.437-1.187/11-30
30A-32A, 2P3W	0.437-1.187/11-30
30A-32A, 3P4W	0.437-1.187/11-30
30A-32A, 4P5W	0.437-1.450/11-37
60A-63A, 2P3W	0.670-1.625/17-41
60A-63A, 3P4W	0.670-1.625/17-41
60A-63A, 4P5W	0.670-1.625/17-41
100A-125A, 2P3W	0.950-1.875/24-48
100A-125A, 3P4W	0.950-1.875/24-48
100A-125A, 4P5W	0.950-1.875/24-48



16A-32A, IP67



60A-125A, IP67

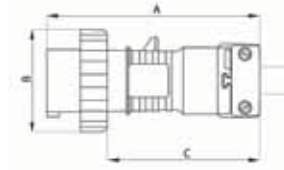
Russellstoll® Pin and Sleeve Power Connectors

ABB IEC 60 309 International Pin and Sleeve

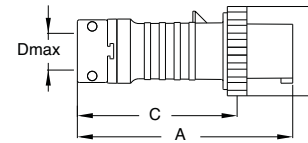
Dimensions

Plugs

TYPE	A (IN./MM)	B (IN./MM)	C (IN./MM)	D _{MAX} (IN./MM)
16A-20A, 2P3W	5.81/147.5	2.80/71	4.47/113.5	0.51/13
16A-20A, 3P4W	6.46/164	3.11/79	5.16/131	0.67/17
16A-20A, 4P5W	6.61/168	3.43/87	5.28/134	0.67/17
30A-32A, 2P3W	6.85/174	3.70/94	4.74/120.5	0.85/21.5
30A-32A, 3P4W	6.85/174	3.70/94	5.41/137.5	0.85/21.5
30A-32A, 4P5W	7.40/188	3.98/101	5.47/139	0.85/21.5
60A-63A, All	10.83/275	4.49/114	8.39/213	1.61/41
100A-125A, All	12.32/313	5.12/130	9.53/242	1.89/48



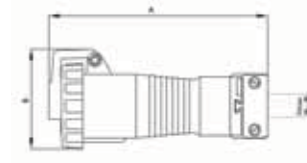
16A-32A



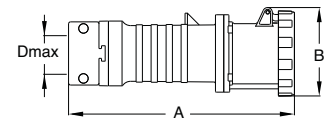
60A-125A

Connectors

TYPE	A (IN./MM)	B (IN./MM)	D _{MAX} (IN./MM)
16A-20A, 2P3W	6.73/171	3.15/80	0.51/13
16A-20A, 3P4W	7.40/188	3.46/88	0.67/17
16A-20A, 4P5W	7.68/195	3.82/97	0.67/17
30A-32A, 2P3W	7.76/197	3.94/100	0.85/21.5
30A-32A, 3P4W	7.76/197	3.94/100	0.85/21.5
30A-32A, 4P5W	8.27/210	4.29/109	0.85/21.5
60A-63A, All	11.26/286	4.37/111	1.61/41
100A-125A, All	12.80/325	4.80/122	1.89/48

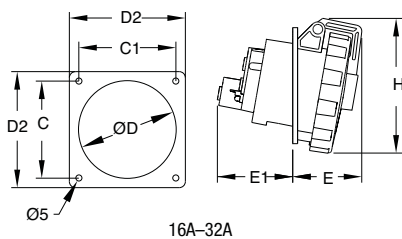


16A-32A

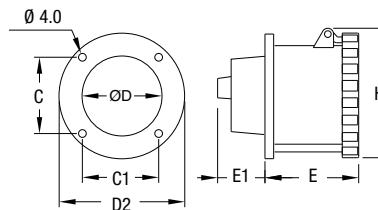


60A-125A

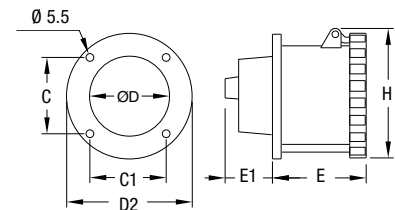
Receptacles



16A-32A



60A-63A



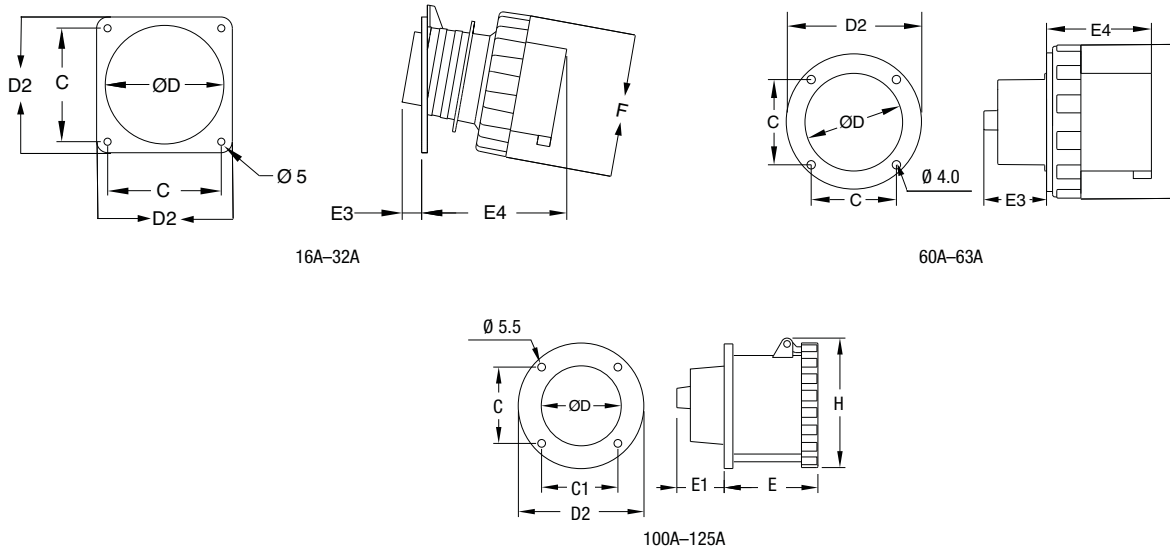
100A-125A

TYPE	C (IN./MM)	C1 (IN./MM)	D (IN./MM)	D2 (IN./MM)	E (IN./MM)	E1 (IN./MM)	H (IN./MM)
16A-20A, 2P3W	3.13/79.5	3.13/79.5	3.27/83	3.74/95	1.77/45	2.24/57	3.74/95
16A-20A, 3P4W	3.13/79.5	3.13/79.5	3.27/83	3.74/95	1.77/45	2.24/57	3.74/95
16A-20A, 4P5W	3.13/79.5	3.13/79.5	3.27/83	3.74/95	1.85/47	2.24/57	3.90/99
30A-32A, 2P3W	3.13/79.5	3.13/79.5	3.27/83	3.74/95	2.20/56	2.40/61	4.09/104
30A-32A, 3P4W	3.13/79.5	3.13/79.5	3.27/83	3.74/95	2.20/56	2.40/61	4.09/104
30A-32A, 4P5W	3.13/79.5	3.13/79.5	3.27/83	3.74/95	2.20/56	2.44/62	4.37/111
60A-63A, All	2.40/61	2.40/61	2.76/70	4.09/104	3.50/89	1.89/48	4.37/111
100A-125A, All	2.80/71	2.80/71	3.46/88	4.53/115	3.94/100	2.28/58	4.80/122

ABB IEC 60 309 International Pin and Sleeve

Dimensions

Inlets



Type	C (IN./MM)	D (IN./MM)	D2 (IN./MM)	E3 (IN./MM)	E4 (IN./MM)	F (IN./MM)
16A-20A, 2P3W	3.13/79.5	3.27/83	3.74/95	0.40/10	1.85/47	2.80/71
16A-20A, 3P4W	3.13/79.5	3.27/83	3.74/95	0.40/10	2.09/53	3.11/79
16A-20A, 4P5W	3.13/79.5	3.27/83	3.74/95	0.40/10	3.43/87	3.43/87
30A-32A, 2P3W	3.13/79.5	3.27/83	3.74/95	0.47/12	2.36/60	3.70/94
30A-32A, 3P4W	3.13/79.5	3.27/83	3.74/95	0.47/12	2.36/60	3.70/94
30A-32A, 4P5W	3.13/79.5	3.27/83	3.74/95	0.47/12	2.64/67	3.98/101
60A-63A, All	4.41/112	2.40/61	2.76/70	3.86/98	1.97/50	3.15/80
100A-125A, All	4.80/122	2.80/71	3.19/81	4.65/118	2.20/56	3.50/89

Mechanical Interlocks: Switched (MI), Fused (MF) and/or Breakered (MB)

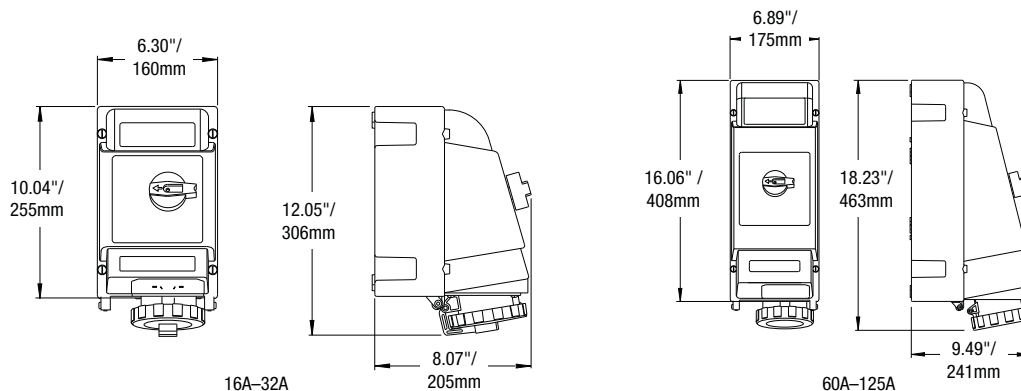


ABB IEC 60 309 International Pin and Sleeve

Plugs, Connectors, Receptacles and Inlets

Performance — Electrical

Dielectric Voltage Withstand	3000 volts for 1 minute (devices > 300V) 2000 volts for 1 minute (devices ≤ 300V)
Maximum Working Voltage	600VAC/250VDC (minimum creepage and clearances per UL 840)
Current Interrupting/ Load Breaking	Tested to 150% of full rated current for circuit interrupting
Temperature Rise	Maximum 30° C rise at full rated current after 50 cycles overload at 150% rated load at .75 pF
Endurance with Load Per IEC 60 309-1 Clause 21	20 Amp: 5000 cycles — Rated current, voltage 30 Amp: 1000 cycles — Rated current, voltage 60 Amp: 1000 cycles — Rated current, voltage 100 Amp: 250 cycles — Rated current, voltage

Performance — Mechanical

Cold (-25° C) Impact Resistance	Per UL 1682 Section 34 and IEC 60 309-1 Clause 24
Cable O.D. Accommodation	Round portable service cord from .57" O.D. through 1.79" O.D.
Terminal Identification	In accordance with UL 1682 standards and IEC 60 309-1: as L1-L2-L3-N-G
Cable Pull-Out Force	Per UL 1682 Section 33 and IEC 60 309-1 Clause 23
Product Identification	Product trademark(s) and UL approved product label




Performance — Environmental

Moisture Resistance	Per IEC 60 309-1; Watertight flap/screw cover on IP67 devices
Flammability	All components V2 for internal parts & V0 for external parts on 20A & 30A devices per UL94 or CSA 22.2 No. 0.6; V0 on 60A & 100A
Operating Temperatures	Maximum continuous 90° C/194° F; minimum -25° C/-13° F
Chemical Resistance	Resists standard industrial hydrocarbons, acids, bases and solvents
Corrosion Resistance	All metallic components stainless steel or brass sleeve pressure spring of stainless steel
UV Resistance	In accordance with UL® 746C

Materials

Housing	Valox®
Contact Carriers	Valox®
Cable Gland Nut	Valox®
Cable Bushing	Chloroprene, onion-ring type
O-Ring, Seals and Gaskets	Solid chloroprene
Pins & Sleeves	Brass
Sleeve Force Ring	Stainless steel
Terminal Screws	Zinc-plated steel
Flap/Screw Cover Springs	Stainless steel
Mounting Flanges	Valox®

Approvals and Compliances

1682, 1686 E109667 E109550 E163435	
60 309-1, -2, -4 LVD 2006/95/EC EMC 2004/108/EC	
C22.2 No. 182.1 LR700925	

Valox is a registered trademark of SABIC.

ABB IEC 60 309 International Pin and Sleeve

Mechanical Interlocks (Unfused/Switched, Fused and Breakered)

Performance — Electrical

Dielectric Voltage Withstand	3000 volts
Maximum Working Voltage	480 volts RMS (circuit breaker version) 600 volts RMS (switch version)
Current Interrupting	Certified for current interrupting at full rated current and voltage
Short-Circuit Current Rating Operations	10,000 RMS symmetrical amperes Mechanical: 10,000 cycles Electrical: 6000 cycles
HP Ratings (switch version)	Complies with NEC® 430-151 ratings
Circuit Breaker UL Listed	22,000 AIC
Interrupting Rating	

Performance — Mechanical

Cold (-35° C) Impact Resistance	In accordance with UL 746C
Wiring Accommodations	Suitable for metallic conduit. Conduit entry locations at enclosure top and bottom
Terminal Identification	In accordance with UL, CSA and IEC 60 309 conventions
Product Identification	Identification, ratings and color code in accordance with UL, CSA and IEC 60 309 requirements
Lockout/Tagout	"ON" and "OFF" lockout/tagout capability at switch handle. Complies with OSHA Reg. 29CFR 1910.147
Mounting	External adjustable feet



Performance — Environmental

Moisture Resistance	Screw cap version: UL Type 4X & 12K, IP67
Flammability	UL 94-5VA and V0 classifications
Operating Temperatures	Maximum continuous: 60° C (140° F) Minimum continuous: -40° C (-40° F)
UV Resistance	UV-stabilized material in accordance with UL® 746C
Chemicals	Resists most standard industrial hydrocarbons, acids, bases and solvents

Materials

Enclosure (all exterior components)	UL 94-5VA/V0, UV-stabilized, impact-modified Valox®
Contact Carrier	Molded arc-resistant UL 94-V0 thermoplastic
Gaskets	Chloroprene or EPDM
Contacts (sleeves)	Brass
Hardware (screws and springs)	Steel with zinc-plated blue chromate or nickel plating

Approvals and Compliances

UL 508 and UL 98 (switch version) UL 231 and UL 489 (circuit breaker version) UL 1682, 1686	
IEC 60 309-1, -2, -4	
CSA C22.2 No. 14, 182.1	