

VERSO HI-POE IPM

POLYCARBONATE HOUSING WITH IPM TECHNOLOGY FOR IP CAMERAS

MAIN FEATURES

IPM technology (Intelligent Power Management)
 PoE / Hi-PoE power supply for heating, demisting, illuminator, fan and PoE network camera
 Compatible with IEEE 802.3af, IEEE 802.3at/PoE Plus
 Indoor / Outdoor
 IP66/IP67 (with cable glands or optional sealing rings)
 Side opening, easy camera servicing
 Version with fan with double air filter
 Pre-arranged to supply a GEKO IRH illuminator
 Pre-arranged for internal cable management bracket
 Special cable gland for a fast Ethernet connection/disconnection without cutting the RJ45 connector

DESCRIPTION

The VERSO Hi-PoE IPM housing exploits in an optimal way the POE and Hi-POE technology, using the power supplied by the Ethernet cable as the sole source of power for all the devices connected, thus ensuring the maximum efficiency and flexibility of the network system as well as user-friendly installation and low costs. The innovative IPM (Intelligent Power Management) system enables extremely quick and easy installation with the use of a single Ethernet connecting cable. The Hi-POE IPM system automatically detects all the options, like heating, fan and illuminator and then autonomously balances the power to ensure suitable distribution of the same to the connected devices. This guarantees the optimal operation of the IP camera between -30°C (-22°F) and +60°C (140°F), with heat regulation and cold start (activation at low temperature). The analog system, with previously installed camera housings, can be retrofitted on IPM system simply by changing the slide and the internal electronics. This enables the digital conversion, speeding up the installation and thereby minimizing costs and environmental impact. Very easy to install thanks to the side opening system that allows the full access to the camera, lenses and all internal connections.



VERSO HI-POE IPM



VERSO HI-POE IPM + GEKO IRH + CAMERA



MODULO IPM (INTELLIGENT POWER MANAGEMENT)

INTEGRATED
POSITIONING UNITSEXPLOSION-PROOF
SYSTEMSSTAINLESS STEEL
SYSTEMSTHERMAL
CAMERASCAMERA
HOUSINGSDOME
ENCLOSURESVANDAL RESISTANT
HOUSINGSILLUMINATORS
FOR SURVEILLANCEP&T MOTORS
AND TELEMETRYCAMERA
BRACKETSDIGITAL
VIDEO SYSTEMSCONTROL
KEYBOARDSVIDEO SWITCHING
AND DISTRIBUTIONVIDEO AND DATA
TRANSMISSION

INTEGRATED POSITIONING UNITS
EXPLOSION-PROOF SYSTEMS
STAINLESS STEEL SYSTEMS
THERMAL CAMERAS
CAMERA HOUSINGS
DOVE ENCLOSURES
VANDAL RESISTANT HOUSINGS
ILLUMINATORS FOR SURVEILLANCE
P&T MOTORS AND TELEMETRY
CAMERA BRACKETS
DIGITAL VIDEO SYSTEMS
CONTROL KEYBOARDS
VIDEO SWITCHING AND DISTRIBUTION
VIDEO AND DATA TRANSMISSION

TECHNICAL DATA

GENERAL

Entirely constructed from technopolymer (polycarbonate), RAL9002 colour
Sunshield in ABS
Epoxypolyester powder painting, RAL9002 colour
Stainless steel external screws

MECHANICAL

Cable glands: 1xM12, 1xM16, 1xM20
Polycarbonate window (WxH): 105x64mm (4.1x2.5in)
Internal usable area (WxHxL): 70x70x230mm (2.7x2.7x9.0in)
Unit weight: 1.6kg (3.5lb)

ELECTRICAL

Power absorbed in input: PoE class 3 (13W) or Hi-PoE class 4 (25W) selectable with dip switch
Available power for camera (PoE IN class 3): PoE classe 2 (7W)
Available power for camera (Hi-PoE IN class 4): PoE class 3 (13W) with Ton -10°C ±2°C "cold start" function
Data line: 10/100Base-T
Illuminator GEKO IRH, low power: 6W
Heating: 8W, electronically controlled, Ton 20°C±2°C (68°F±4°F), Toff 23°C±2°C (73.4°F±4°F)
Fan with thermostat for camera cooling for versions with double air filter: Ton 35°C±2°C (95°F±4°F), Toff 32°C±2°C (89.6°F±4°F)
Demisting with forced hot air: 5W
Compatible with IEEE 802.3af, IEEE 802.3at/PoE Plus
Compatible with the Power Injector (OHEPOWINJ: VIDEOTEC optional accessory)

ENVIRONMENT

Indoor/Outdoor
Operating temperature with heating: -30°C / +60°C (-22°F / +140°F)
(refer to the table: VERSO Hi PoE IPM Available models and features)
The correct functioning of the device, within the recommended temperature range, is ensured using camera and lens with a temperature range from -10°C (14°F) to +60°C (140°F)
Very good resistance to the following chemical agents: basics, alcohols, gasses, hydrocarbon
Good resistance: organic and inorganic acids, oils
Low resistance: solvents

CERTIFICATIONS

CE EN61000-6-4, EN60950-1, EN50130-4
IP66/IP67 EN60529 with cable glands
IP66/IP67 EN60529 with special gaskets and bracket with internal cable channel
IP55 EN60529 with bracket with internal cable channel
IP44 EN60529 for models with cooling blower and double filter
V1 fire-self extinguish compliance UL94

VERSO HI POE IPM AVAILABLE MODELS AND FEATURES

Operating temperature	Injector	Camera	Demisting system	Illuminator	Heating	Fan with double air filter	Model Number
-10°C / +60°C (14°F / 140°F)	PoE classe 3 (13W)	PoE max. class 2 (7W)	✓	-	-	✓	HPV42K2A716
	Hi-PoE class 4 (25W)	PoE max. class 3 (13W)	✓	✓	-	✓	HPV42K2A716
-10°C / +50°C (14°F / 122°F)	PoE classe 3 (13W)	PoE max. class 2 (7W)	✓	-	-	-	HPV42K2A700
	Hi-PoE class 4 (25W)	PoE max. class 3 (13W)	✓	✓	-	-	HPV42K2A700
-30°C / +50°C (-22°F / +122°F)	Hi-PoE class 4 (25W)	PoE max. class 3 (13W)	✓	-	✓	-	HPV42K2A700

ACCESSORIES

OHEPOWINJ	Hi-PoE Power Injector, 1 channel
OWBIP3	Sealing rings kit (1xM12 - 1xM16 - 1xM20) IP66/IP67 for WBOVA2 and WCM4A2 brackets for VERSO HI-POE and HOV HI-POE housings
OHEGBB	Weatherproof junction box
OSUPPIR	Bracket for mounting 1 GEKO IRH illuminator under the housing

RELATED PRODUCTS

PTH300	Horizontal/vertical Pan & Tilt
PTH900	Horizontal/vertical Pan & Tilt
IRH10L8A	LED Illuminator, 10°, 850nm, 24Vac - 12/24Vdc
IRH30L8A	LED Illuminator, 30°, 850nm, 24Vac - 12/24Vdc
IRH60L8A	LED Illuminator, 60°, 850nm, 24Vac - 12/24Vdc

BRACKETS AND ADAPTORS

WBJA	Wall bracket with ball joint
WBOVA2	Wall bracket with internal cable channel, not compatible with OHEKVF1EB and OHEKVF2EB
WBOV3A2	Wall bracket with internal cable channel, counterplate and support box, not compatible with OHEKVF1EB and OHEKVF2EB
WCM3A	Ceiling bracket with ball joint
WCM5A	Ceiling bracket with ball joint
WCM4A2	Ceiling bracket with internal cable channel
WFWCA	Column bracket with joint

SPARE PARTS

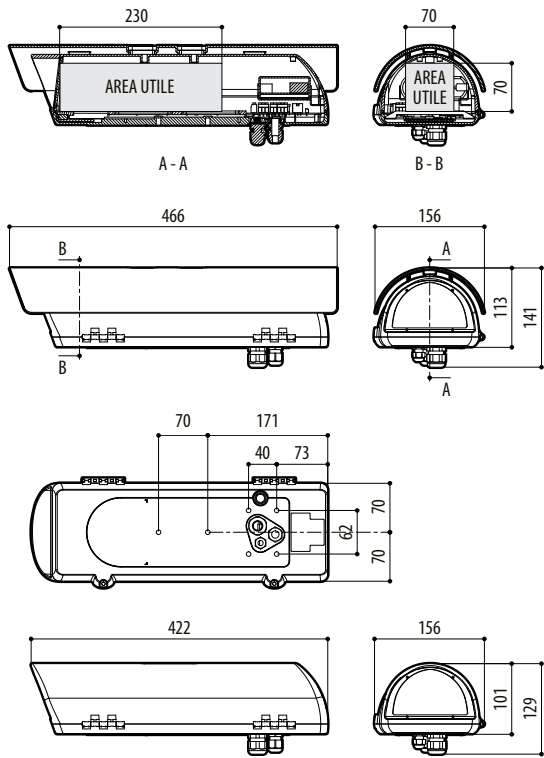
OHPVPOEIPM	Maintenance/retrofit kit for HPV42 HI-POE IPM
OHOV32SUP	Complete upper body
OBKFIL	Filter replacement kit for double filter versions

PACKAGE

Model Number	Weight	Dimensions (WxHxL)	Master carton
HPV42K2A700	1.9Kg (42lb)	16.5X15.5X49cm (6.5x6.1x19.3in)	10

TECHNICAL DRAWINGS

Sizes in millimeters.



VERSO HI-POE IPM

- INTEGRATED POSITIONING UNITS
- EXPLOSION-PROOF SYSTEMS
- STAINLESS STEEL SYSTEMS
- THERMAL CAMERAS
- CAMERA HOUSINGS
- DOME ENCLOSURES
- VANDAL RESISTANT HOUSINGS
- LUMINATORS FOR SURVEILLANCE
- P&T MOTORS AND TELEMETRY
- CAMERA BRACKETS
- DIGITAL VIDEO SYSTEMS
- CONTROL KEYBOARDS
- VIDEO SWITCHING AND DISTRIBUTION
- VIDEO AND DATA TRANSMISSION

VIDEO AND DATA TRANSMISSION	VIDEO SWITCHING AND DISTRIBUTION	CONTROL KEYBOARDS	DIGITAL VIDEO SYSTEMS	CAMERA BRACKETS	P&T MOTORS AND TELEMETRY	ILLUMINATORS FOR SURVEILLANCE	VANDAL RESISTANT HOUSINGS	DOME ENCLOSURES	CAMERA HOUSINGS	THERMAL CAMERAS	STAINLESS STEEL SYSTEMS	EXPLOSION-PROOF SYSTEMS	INTEGRATED POSITIONING UNITS
-----------------------------	----------------------------------	-------------------	-----------------------	-----------------	--------------------------	-------------------------------	---------------------------	-----------------	-----------------	-----------------	-------------------------	-------------------------	------------------------------

