

We build, connect, power  
and protect the world.

## Network Convergence Use Case: **SDVoE/AVoIP**

### **A Casino and Convention Center Relies on Utility Grade Infrastructure to Upgrade Legacy A/V Management**

A prominent Las Vegas casino and convention center was faced with a need to quickly address the ongoing need to physically modify, add, test and remove high-bandwidth digital displays throughout its environments. Coupled with pandemic related safety issues, steep digital display programming costs and associated downtime, the customer called on Wesco to review its legacy A/V management approach and determine options to provide a better go-forward solution.

### **A Need for Cost Reductions, Speed of Repair and Improved Health and Safety**

With the casino's legacy mainframe A/V management strategy, it would take days or weeks for technical personnel to be physically on-site to address digital display issues. With the threat of new variants continuing to impact day-to-day operations, having as few workers physically on the floor at any given time was of critical importance. The casino's IT management team required more automated, high bandwidth, zero latency and centralized A/V management solutions. Unfortunately, the legacy cabling infrastructure could not support the upgrade to advanced A/V protocols under consideration such as SDVoE and AVoIP.

### **Leveraging Liberty and Utility Grade Infrastructure to Deliver a Network Converged A/V Management Solution**

The customer chose to deploy Liberty AV Solutions DigitaLinxIP 6000 Series over a UTG20 "Bear Attack Tested" Cable Infrastructure developed to support advanced A/V protocols with infrastructure resiliency.

## Utility Grade Infrastructure

### **Bear attack verified**

Support advanced A/V protocols with infrastructure resiliency

### **Summary**

#### **Customer**

- Las Vegas casino and convention center

#### **Challenges**

- Legacy non-networked A/V management
- Lack of scalability and installation delays
- High costs to provision or change displays
- Safety requirements during implementation

#### **Solutions**

- Replace traditional electrical infrastructure with Type 4 PoE over UTG20
- Liberty's DigitaLinxIP 6000 Series
- Liberty's Arranger Management Software
- NetGear 10GbE Switch
- UTG20 Cable Infrastructure

#### **Results**

- 75% cost reduction provisioning displays
- On-demand scalability for a fully networked 10GbE SDVoE A/V management system
- Enhanced worker safety with remote automated deployment and maintenance



Ingenuity delivered.

**Wesco.com**

220425D001 © 2022 Wesco International

The DigitaLinxIP 6000 Series hardware and software enabled the casino and convention center to deploy a fully networked 10GbE A/V management solution, featuring unlimited ability to provision digital displays on demand – eliminating prior scalability, flexibility, safety and cost issues. Wesco and UL developed an industry-first UTG Bear Attack (BERetAC) Test method for UTG20 solutions, which combines bit error rate (BER), elevated temperature (et) and alien crosstalk (AC), while simultaneously delivering 10Gbps of data, 4k UHD video and up to 100 watts of power over an unshielded twisted-pair (UTP) cabling system at 100 m. The premise of Bear Attack is to provide a future-ready infrastructure that guarantees results for Advanced A/V Protocols, Next Gen Wi-Fi (802.11ax), greater PoE performance, all with unlimited bundling.

The combined solution of Liberty’s DigitaLinxIP 6000 AV management system and a UTG20 network infrastructure helped the casino and convention center reduce its real-time A/V management costs by 75%, while allowing for dynamic provisioning. The newfound A/V management flexibility and use of an enriched Pro A/V environment helped to enhance the casino and convention center’s appeal as a best-in-class meeting and trade show destination, leading to significant increases in event bookings.

## UTG Proof Of Concept Testing The Utility Grade Solution

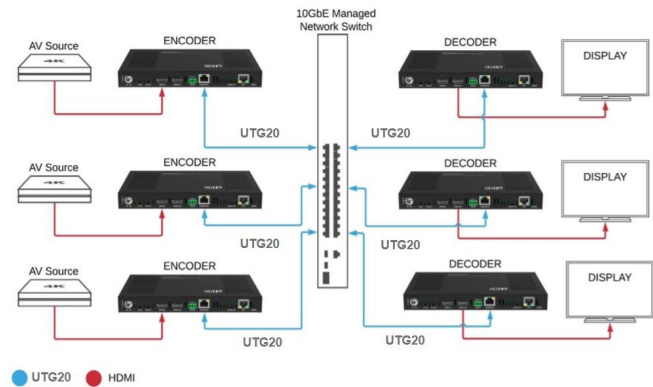
Wesco's Infrastructure Solutions Lab alongside UTG Partner, Liberty AV Solutions, have developed proof of concept testing for converged system interoperability. This includes UTG-rated cable infrastructure, Liberty’s DigitaLinxIP 6000 series hardware with Arranger AV management software and a NetGear 10GbE Managed Network Switch to deliver a high-bandwidth networked 4K UHD A/V solution. For a full set of UTG-recommended solutions, reach out to your local Wesco representative.

### UTG Convergence Zone

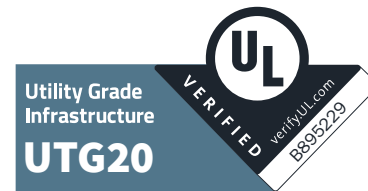
- Intra-Building
- Connected-Ceiling

Wesco has the expertise and insights to tackle complex projects for every smart environment. Utility Grade Infrastructure is our innovative solution to support smart building and IoT implementations that span every corner of the commercial building, parking facility and perimeter. Learn how we can power your results, [Wesco.com](http://Wesco.com).

## Bear Attack Verified for 10GbE AVoIP over UTG20



## Proof of Concept Test Bed



### UTG Difference

- 10GbE throughput supporting zero latency SDVoE/AVoIP
- 4k UHD w/ Type 4 PoE 90 watt over UTG20 Cable Infrastructure
- Bear Attack Verified for Infrastructure Resiliency at 100 m/328 ft
- Guaranteed performance and interoperability
- Maximize your Infrastructure Investment (ROI)



Ingenuity delivered.

Wesco.com

220425D001 © 2022 Wesco International