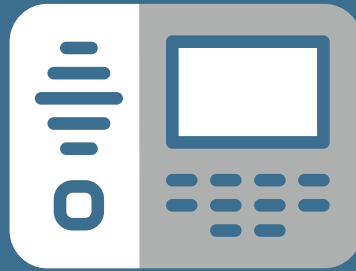


Anixter Complete
Technology Solutions

PHYSICAL SECURITY SYSTEMS



INTRUSION SOLUTIONS

New open standards that drive interoperability have transformed the traditional intrusion panel into a conduit for greater integration. Additional sensors continue to be introduced to provide functionality beyond security, making intrusion a fully integrated system that improves efficiency, alerts and automation.

COMPONENTS OF YOUR COMPLETE INTRUSION SYSTEM

Panels and Expanders	Controls the system that all wired and wireless communications come back to for alerting and reporting, notifies the central station of an event, and allows scalability of the intrusion system beyond the initial installed zones.
Key Pad	Interface for programming, arming and disarming the system.
Sensors	Detects and sends signal to the control panel for reporting; sensors include glass breaks, door contacts, PIRs, photoelectric beams, smoke, flood, CO ₂ and heat detectors, water detection, shock and vibration detection and temperature sensors.
Back-up Communication	Provides a secondary communication pathway via radio cellular or IP to notify the monitoring station of an event; automatically engages if the primary source fails.
Battery Back-up	In event of a power failure, keeps the system running.
Sounders	Provides audible notification of a triggered alarm, indoors or outdoors.
Visual Signaling	Provides visual notification via strobe or rotating beacon of a triggered alarm.
Wiring and Surge Protection	Provides connectivity of all components and protection against damage due to lightning or over-voltage to deliver continuous operation of the intrusion system.

WE ADD VALUE BY ENABLING:

Technology Selection	Systems Interoperability	Project Deployment
----------------------	--------------------------	--------------------

“Local governments are beginning to levy fines up to \$500 per incident for false alarms.”

Source: Security Industry Association, CP-01: True Security Means Fewer False Alarms.

COMMON CHALLENGES



Changing
**COMMUNICATION
STANDARDS**



Integrating
**ACCESS
CONTROL**



Securing
**PEOPLE
and ASSETS**



Upgrading to **NEW
TECHNOLOGIES**



Incorporating
**BUILDING
AUTOMATION**

TECHNOLOGY SOLUTIONS



Changing communication standards

As the intrusion market migrates to IP, traditional phone lines are disappearing and alternative ways to communicate back to a central station are driving new standards. Provisioning your system to utilize cellular, wireless and radio communications can address these new communications challenges.



Upgrading to new technologies

Replacing older or obsolete intrusion panels with current technology can bring a multitude of improvements and functionality. Current technology panels offer advanced features such as integration with your access control, building automation and remote monitoring systems.



Integrating access control

Combining access control and intrusion panels allows you to leverage the functionality of both systems into a single security platform for improved performance and enhanced system capabilities. Integration allows the alert from both systems to be managed and reported through a single user interface. A cohesive, integrated platform can be designed to reduce false alarms and provide greater flexibility and scalability around building access.



Incorporating building automation

Integration with a building automation system can expand the functionality of intrusion and access control sensors beyond security and into operations. Your intrusion and access control sensors can be used for occupancy monitoring, lighting and temperature control, improving the building's efficiencies and making the security systems a valued investment in the operational budget.

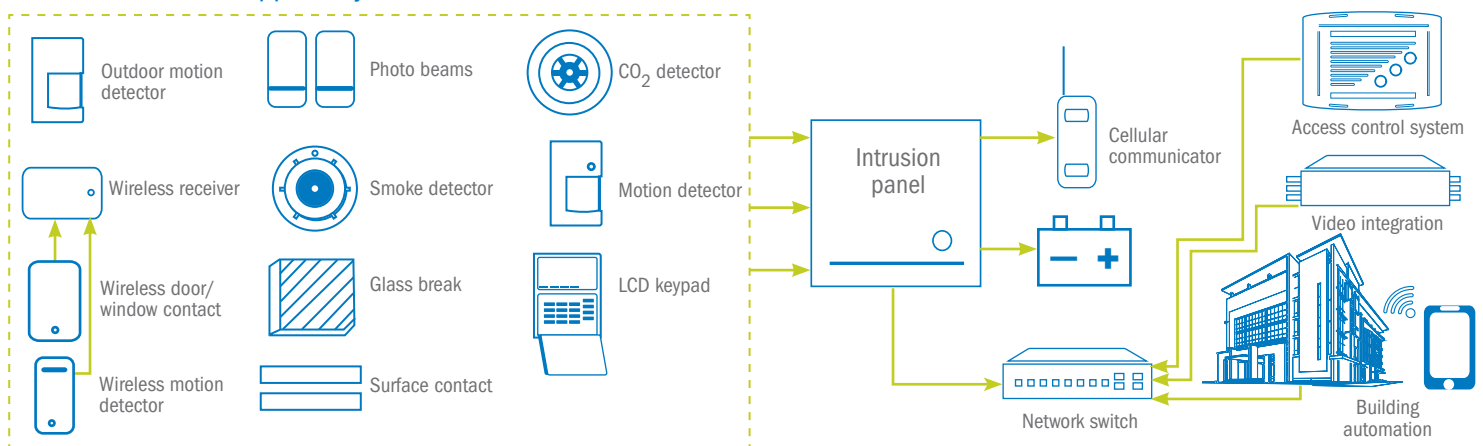


Securing people and assets

A properly designed and installed system has the ability to segregate the system into zones that can be armed or disarmed, depending on the type of security required. For example, panic buttons and secondary perimeter door contacts should always instantly trigger an alarm to disarm motion detectors and primary entrances while the building is occupied.

CONCEPTUAL SYSTEM LAYOUT FOR YOUR CONSIDERATION

Intrusion solutions supplied by Anixter



For system integration, installation and maintenance, we recommend working with a licensed, certified security integrator.

FOR MORE INFORMATION VISIT ANIXTER.COM/SECURITY OR CONTACT YOUR LOCAL ANIXTER REPRESENTATIVE.

At Anixter, we help build, connect, power, and protect valuable assets and critical infrastructures. From enterprise networks to industrial MRO supply to video surveillance applications to electric power distribution, we offer full-line solutions—and intelligence—that create reliable, resilient systems that can sustain your business and community. Through our unmatched global distribution network, supply chain management expertise and technical know-how, we drive efficiency and effectiveness to benefit your bottom line.