

Anixter Complete
Technology Solutions

PROFESSIONAL A/V



DIGITAL SIGNAGE SOLUTIONS

Digital signage is a key technology that helps disseminate and support strategic messaging to employees and customers. Digital signage solutions can deliver information or training to stakeholders in a one-to-one or one-to-many scenario.

COMPONENTS OF YOUR COMPLETE TECHNOLOGY SOLUTIONS

Large Format Displays	Delivers eye-catching messaging to customers and employees
Projectors and Screens	Presents information to audiences in larger environments
Video Walls	Used in control rooms, retail and other public spaces
Content Management Software	Provides the ability to manage what is displayed on your screens and video walls
Kiosks/Enclosures	Presents digital signage in an engaging format

WE ADD VALUE BY ENABLING:

Technology Selection	Systems Interoperability	Project Deployment
----------------------	--------------------------	--------------------

COMMON CHALLENGES



Creating **CONTENT DEVELOPMENT** processes



Enabling **MAXIMUM VISIBILITY**



Providing robust **NETWORKING**



Harnessing **POWER OVER ETHERNET**



Ensuring **EASE OF USE** for operators

“As graphics and video are increasingly integrated into digital content, the importance and proliferation of screens will continue to grow in the digital workplace.”

Source: Gartner, Scenario: Enabling End Users in the Digital Workplace

TECHNOLOGY SOLUTIONS



Content development

With the right software, it is easy to manage the content that is displayed on your networked screens. Beyond having the right tools to manage content, you will need an internal strategy and plan for generating new content and keeping it up to date.



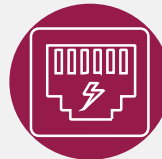
Visibility

Screen size, lumen count and location are key things to consider when choosing displays for optimal visibility.



Networking

Below is one example of a networked digital signage solution. Many others exist. Anixter has the networking and A/V expertise to help you design the right system for your needs.



Power over Ethernet

Many modern displays can be powered over standard networking cable, eliminating the need for power cables. HDBaseT (PoH) is a version of PoE that provides more than just power.



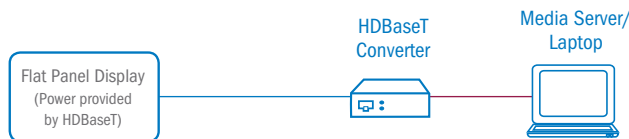
Ease of use

Quality design is the key to ease of use. You must fully define the use of a room, and work with a qualified integrator to design a solution that meets your needs but is not more complex than necessary.

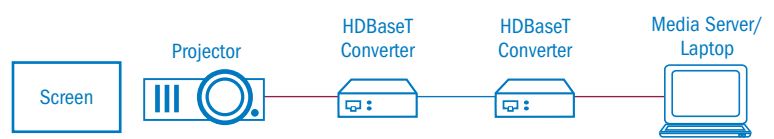
CONCEPTUAL SYSTEM LAYOUTS FOR YOUR CONSIDERATION

Professional A/V solutions supplied by Anixter

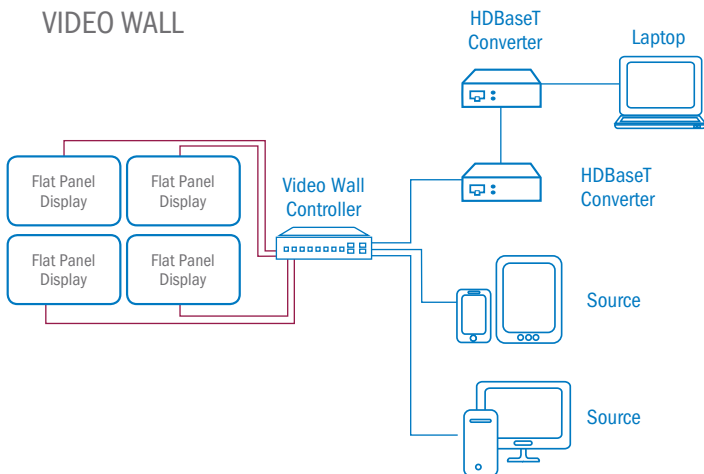
BASIC CONFERENCE ROOM—FLAT PANEL



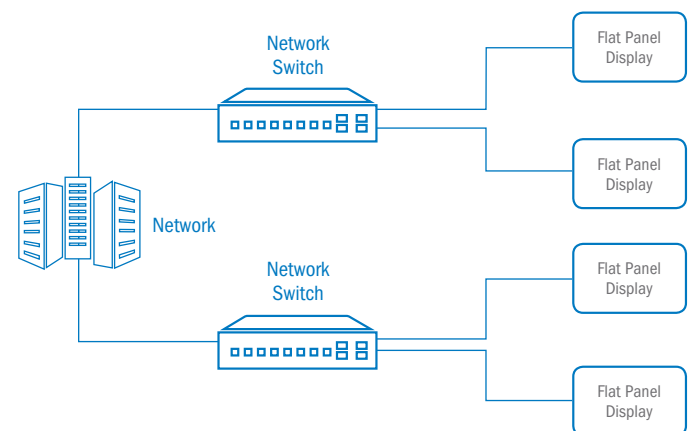
BASIC CONFERENCE ROOM—PROJECTOR



VIDEO WALL



NETWORKED DIGITAL SIGNAGE DISPLAYS



— Category Cable — HDMI Cable

Note: Layouts do not show necessary power systems.

FOR MORE INFORMATION VISIT ANIXTER.COM/PROAV OR CONTACT YOUR LOCAL ANIXTER REPRESENTATIVE.

At Anixter, we help build, connect, power, and protect valuable assets and critical infrastructures. From enterprise networks to industrial MRO supply to video surveillance applications to electric power distribution, we offer full-line solutions—and intelligence—that create reliable, resilient systems that can sustain your business and community. Through our unmatched global distribution network, supply chain management expertise and technical know-how, we drive efficiency and effectiveness to benefit your bottom line.