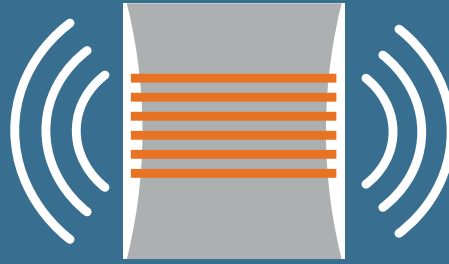


WIRELESS MOBILITY



INDOOR SMALL CELL

An indoor enterprise small cell solution provides cost-effective cellular coverage for a single carrier within a building. The antennas are devices that act as small cellular access points. A small cell solution typically runs on Ethernet and can be managed by IT personnel after installation.

COMPONENTS OF YOUR COMPLETE INDOOR SMALL CELL SYSTEM

RF Source	Radio that provides carrier signals that get distributed throughout the cellular network.
Headend Equipment	Distributes the signal from the RF source to the switch.
Switch	Provides power and signalling to the antenna node.
Antenna Node	Radiating device that connects the computer or mobile device to the network.

COMMON CHALLENGES



Leveraging existing **INFRASTRUCTURE**



Increasing **CAPACITY** demands



Budgeting for **ENTERPRISE-FUNDED** systems



Reducing **DEPLOYMENT** time



Coordinating with **INTEGRATORS** and **CARRIERS**

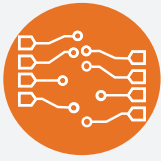
WE ADD VALUE BY ENABLING:

Technology Selection	Systems Interoperability	Project Deployment
----------------------	--------------------------	--------------------

“As organisations of all sizes, and across all sectors and regions, become increasingly dependent on high-quality mobile connections, small cells are coming into their own as a strategic solution, especially for indoor usage. Indeed, 94% of respondents said in-building cellular performance had an impact on their business, with 42% giving it a seriousness level between 8 and 10.”

Source: Small Cell Forum, Enterprise Small Cells, 2016.

TECHNOLOGY SOLUTIONS



Infrastructure

Standard structured cabling (Category cable and fibre) is used to deploy small cells. Hardline coaxial cable, which is difficult to put into a ceiling, is not required for small cells.



Capacity

A small cell solution allows for a single network with smaller access points, which provides additional capacity. In addition, because the RF source is built into the system, it is easily expandable.



Enterprise-funded systems

Although carriers do not fund small cells, this type of wireless system is a cost-effective solution that still provides sufficient coverage in the building. It is important to request a rough order of magnitude (ROM) quote from your distributor before engaging with an integrator to make sure you have adequate budget for your small cell system.



Deployment

Because the RF source is built into the small cell system, carrier approval takes less time than approval for other wireless systems. Additionally, because Category cable and fibre are easier to install than coaxial cable, small cell solutions can be deployed more quickly than other systems.



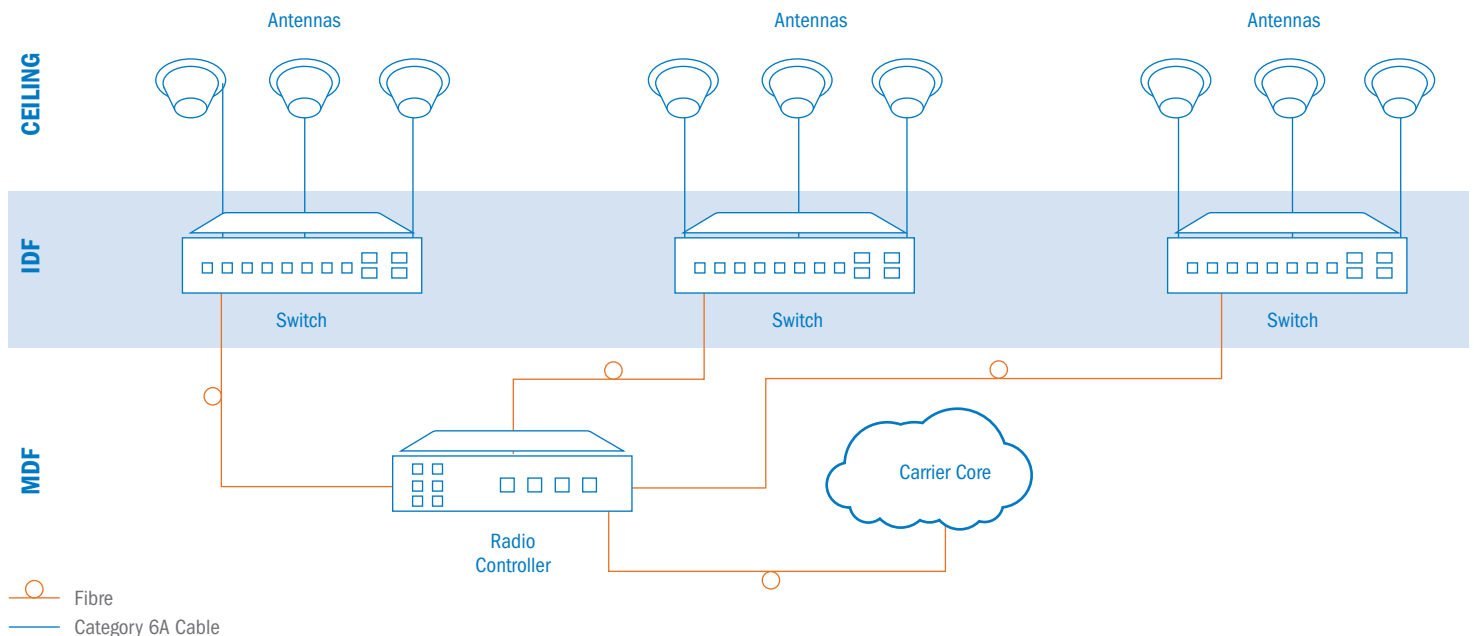
Integrators and carriers

A small cell system allows for easier retransmit agreements because the RF source is included. A qualified integrator still needs to work with the carrier to ensure system approvals based on the design. Selecting the right partner can streamline this process for you.

CONCEPTUAL SYSTEM LAYOUT

Indoor small cell solutions supplied by Anixter

For system integration and installation, we recommend working with a certified wireless integrator or contractor.



Note: Layouts do not show necessary power systems.

FOR MORE INFORMATION VISIT [ANIXTER.COM/WIRELESS/EMEA](https://www.anixter.com/wireless/emea) OR CONTACT YOUR LOCAL ANIXTER REPRESENTATIVE.

At Anixter, we help build, connect, power, and protect valuable assets and critical infrastructures. From enterprise networks to industrial MRO supply to video surveillance applications to electric power distribution, we offer full-line solutions—and intelligence—that create reliable, resilient systems that can sustain your business and community. Through our unmatched global distribution network, supply chain management expertise and technical know-how, we drive efficiency and effectiveness to benefit your bottom line.