



CUSTOMIZABLE CAROUSEL SYSTEMS

As you reconfigure storerooms and factory floors for social distancing guidelines, reclaim your lost overhead space and organize your wire and cable with customizable, motorized storage carousels.

Features

- Small footprint with high reel capacity
- Secure, organized storage
- Can be used in construction, healthcare, warehouse, manufacturing and automotive environments

Benefits

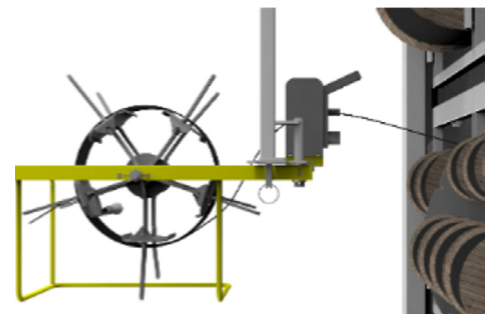
- Effectively uses overhead storage space
- Increases efficiency
- Improves floor safety (reduces the risk of slips and trips over wire and cable spools)
- Easy wire payout
- Improved wire and cable visibility

CUSTOMIZABLE OPTIONS

- **Wire loading dolly** - transfers wire spools to and from carousel; handles spool sizes up to 24" in diameter
- **Heavy-duty wire reel dispenser** - rests on floor to dispense spools up to 48" in diameter and 2,000 lbs.
- **Track-mounted wire merchandiser** - cut/measure/re-roll system track-mounted to the face of carousel for easy access to every position
- **Wire merchandiser cart** - cut/measure/re-roll cart system moves to and from the face of carousel as required
- **Spinner spool** - system designed to fit within a single wire bay, optimizing it for a large quantity of small wire reels
- **Variable frequency drive (VFD)** - provides the operator variable speed
- **Full enclosure** - includes enclosed ceiling and replaces mesh guarding on front and rear of carousel with solid paneling
- **Dual controls** - duplicate control center on left tower of carousel, enabling control from either side
- **Inventory control solutions** - software, barcoding, automation and more



Carousel system



Track-mounted wire merchandiser



Adjustable wire loading dolly

Contact your Anixter sales representative to learn more about this solution.

Corporate Snapshot

FOUNDED 1957	OVER 9,300 EMPLOYEES
OVER \$8.4 BILLION IN SALES	APPROXIMATELY 50 COUNTRIES
IN OVER 300 CITIES	APPROXIMATELY 130,000 CUSTOMERS
OVER 600,000 PRODUCTS	OVER \$1 BILLION INVENTORY
FORTUNE 500 COMPANY	STOCK SYMBOL AXE

24" Maximum Reel Diameter

Model Number	Height	Width	Depth	Carrier Qty.
W39089-0534-06	7' 11"	8' 9"	6' 3"	5
W39106-0634-06	9' 4"	8' 9"	6' 3"	6
W39123-0734-06	10' 9"	8' 9"	6' 3"	7
W39140-0834-06	12' 2"	8' 9"	6' 3"	8
W39157-0934-06	13' 7"	8' 9"	6' 3"	9
W39174-1034-06	15' 0"	8' 9"	6' 3"	10
W39191-1134-06	16' 5"	8' 9"	6' 3"	11
W39208-1234-06	17' 10"	8' 9"	6' 3"	12
W39225-1334-06	19' 3"	8' 9"	6' 3"	13

30" Maximum Reel Diameter

Model Number	Height	Width	Depth	Carrier Qty.
W45103-0540-06	9' 4"	8' 9"	7' 3"	5
W45123-0640-06	11' 1"	8' 9"	7' 3"	6
W45143-0740-06	12' 6"	8' 9"	7' 3"	7
W45163-0840-06	14' 5"	8' 9"	7' 3"	8
W45183-0940-06	16' 1"	8' 9"	7' 3"	9
W45203-1040-06	17' 9"	8' 11"	7' 3"	10
W45223-1140-06	19' 5"	8' 11"	7' 3"	11
W45243-1240-06	21' 1"	8' 11"	7' 3"	12

Options and Accessories

Model Number	Description
WC1	W39 Wire Loading Dolly
WC1-ADJ	W39 Adjustable Wire Loading Dolly
2-78659	W45 Wire Loading Dolly
2-78681	Wire Spool Lift N Load
2-45070	HD Wire Reel Dispenser
W1C	HD Wire Merchandiser Dolly
2-0060	Track Mounted Wire Merchandiser
2-52142	Wire Merchandiser Cart
2-46731	HD Wire Merchandiser Cart
2-48617	Spinner Spool W/8 Spinner Spool Rods
	Wire Bay Rods (x5)
	Electrical Upcharge (320V and 50hz)
	Electrical Upcharge (600V)

About Anixter: anixter.com/aboutus
Legal Statement: anixter.com/legalstatement

20D0320NA © 2020 Anixter Inc. · 05/20

Anixter Inc. World Headquarters

2301 Patriot Boulevard
 Glenview, Illinois 60026
 224.521.8000

1.800.ANIXTER | anixter.com

