

PRODUCT SOLUTIONS BRIEF  
**CORNING**

**SMART CITY NETWORK PERFORMANCE**



Through our strong global partnerships and alliances with manufacturers such as Corning, we are able to present you with the following offering to meet your specific smart city requirements.

**Corning FlexNAP™ System**

The Corning FlexNAP™ system provides the most cost-effective method of deploying optical fiber in outside plant distribution networks at speeds up to five times faster than traditional field installations. The FlexNAP system utilizes optical fiber cables upon which network access points are pre-installed at customer-specified locations along the length of the cable. The cable and network access points are tested and shipped as a complete distribution cable/terminal system, factory engineered to your exact network requirements.

**CHALLENGE SOLVERS**

- Factory-installed, sealed splice points drastically reduce field splicing with a predetermined loss at each waterproof tether attachment point (TAP).
- Flexible pre-terminated access points utilize traditional field-installation techniques for aerial, below-grade and duct applications.
- Variety of distribution cables available, providing field familiarity with traditional network cable types.
- MultiPort terminals are available with 4, 6, 8 or 12 OptiTap® connector adapters, allowing for multiple configuration variations.

**THE ANIXTER APPROACH**

- **Network Availability**  
Apply open architecture designs with advanced technology to provide ubiquitous broadband coverage and bridge the digital divide for businesses, residents and visitors alike.
- **Network Bandwidth**  
Deploy next-generation broadband connectivity to cater for increased traffic, meet expectations of low latency and support high-demand applications.
- **Network Media**  
Select the precise balance of fiber and wireless connectivity platforms for middle and last mile, dependent on the application and economic priorities of your city.
- **Network Architecture**  
Maintain flexibility with medium and long-term city planning by leveraging new and existing architecture for the core, access and edge layers.

**THE CORNING SOLUTION**

**DISTRIBUTION CABLE**

ALTOS® Loose Tube and Figure-8 Gel-Free Cable  
 RPX® Ribbon and Toneable Ribbon Cable

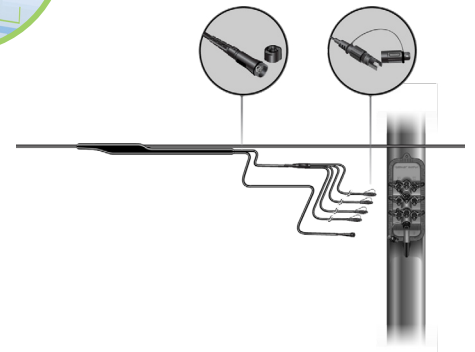
**NETWORK ACCESS POINTS**

OptiTip® multifiber tethers for centralized split  
 OptiTap® single-fiber tethers for distributed split

**TERMINAL AND DROP CABLE**

MultiPort terminals and connectorized drop cable assemblies

[anixter.com/shopcorning](http://anixter.com/shopcorning)



A FlexNAP™ System consists of three components:  
 FlexNAP System distribution cable  
 FlexNAP System network access points  
 FlexNAP System terminals and drop cable assemblies

**CORNING**

**WHAT WE HEAR**

City officials are dealing with a variety of challenges:



Continual **TECHNOLOGY REFRESH**



Cost of significant **CAPITAL INVESTMENTS**



Incumbent technology operators' **PACE OF PROGRESS**



**COMPLEXITY AND DISRUPTION** with project deployment



Gaining **CONSENSUS** among community stakeholders

**Infrastructure as a Platform**  
 by Anixter

Infrastructure as a Platform by Anixter offers a versatile broadband connectivity approach that provides a foundation to meet the high-performance demands of your smart city.

### CONFIGURE

We help you discover and map your specific needs to the best solution.

- FlexNap™ System distribution cables
- FlexNAP System network access points
- FlexNAP System terminal
- OptTip® MT Cable Assembly

### BUNDLE

Your validated, preconfigured solutions are packaged and site ready.

- Design the distribution cable build-plan
- Create and submit build plan online
- Place order by submitting single, unique part number

### DEPLOY

Controlled, repeatable solutions are delivered on time and under budget.

- Custom packaging and labeling
- Time-sensitive delivery options
- Staged project shipping
- Tailored last-mile delivery

### CORNING FLEXNAP™ SYSTEM FEATURES

#### ✓ TIME TO DEPLOY

- Increased deployment velocity allows carriers to pass, and connect, more subscribers in a shorter amount of time.
- The speed and deployment increases the revenue earning potential of an access network.

#### ✓ COST SAVINGS

- Speed of deployment utilizes the workforce more efficiently.
- Service providers can deploy up to 5X faster with lower operating expenses than conventional methods.
- Splice labor is concentrated at the central point.



MultiPort Terminal (6-port) and ROC™ Drop Cable Assembly

**> FOR MORE DETAILS VISIT [ANIXTER.COM/SHOPCORNING](https://www.anixter.com/shopcorning)**

**About Anixter:** [anixter.com/aboutus](https://www.anixter.com/aboutus)  
**Legal Statement:** [anixter.com/legalstatement](https://www.anixter.com/legalstatement)

At Anixter, we enable the connected world. By building, connecting, protecting and powering valuable assets and critical infrastructures, we help to sustain and grow businesses and communities worldwide. We accomplish this by offering full-line solutions, technical intelligence, supply chain expertise and an unmatched global distribution network.

1.800.ANIXTER | [anixter.com](https://www.anixter.com)

