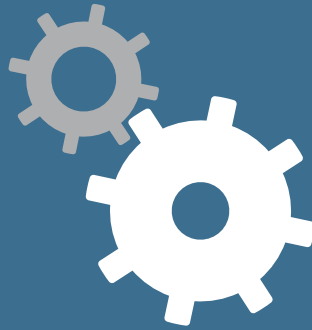


Anixter Complete  
Technology Solutions

PROFESSIONAL A/V



## CONTROL SOLUTIONS

A well-planned control system helps to ensure that your audio-visual system is user-friendly. The type of control for a given environment is determined by how a space is used and the skill level of the users.

### COMPONENTS OF YOUR COMPLETE TECHNOLOGY SOLUTIONS

Interface	Provides control of the A/V system in the room using touch panels or apps
Controllers	Manages the edge devices, such as the displays, projectors and speakers, to allow them to perform as requested
Software and Programming	Instructs the system how inputs on the interface control the displays, projectors and speakers
Infrastructure	Connects the interface, controllers and devices

### WE ADD VALUE BY ENABLING:

Technology Selection	Systems Interoperability	Project Deployment
----------------------	--------------------------	--------------------

There is a growing demand within corporate, education, government and other end-user segments for controlled systems that make it easy to control interconnected A/V equipment and accessories with process automation.

Source: Technavio, Global Pro AV Market 2016-2020

### COMMON CHALLENGES



Custom **PROGRAMMING** and integration



Providing **SCALABILITY** within the building



Simplifying **MOVES, ADDS** and **CHANGES**

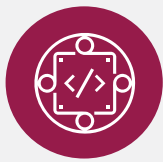


Enabling component **COMPATIBILITY**



Ensuring **EASE OF USE** for operators

## TECHNOLOGY SOLUTIONS



### Custom programming and integration

Professional A/V systems typically require customized programming that involves expensive integrator certifications. We recommend open solutions to promote flexibility and ease of modifications.



### Scalability

When a traditional control system is installed, adding additional rooms can be cost-prohibitive. We recommend a scalable system such as a single-room system that can be easily replicated or a cloud-based system that allows for rooms to be easily added.



### Moves, adds and changes

Another benefit of an open solution system is that it allows moves, adds and changes to be accomplished by IT personnel without having to engage programmer resources.



### Component compatibility

Selecting products that work together is key to a smoothly functioning A/V system. To achieve this, you should engage a qualified integrator to help ensure compatibility.



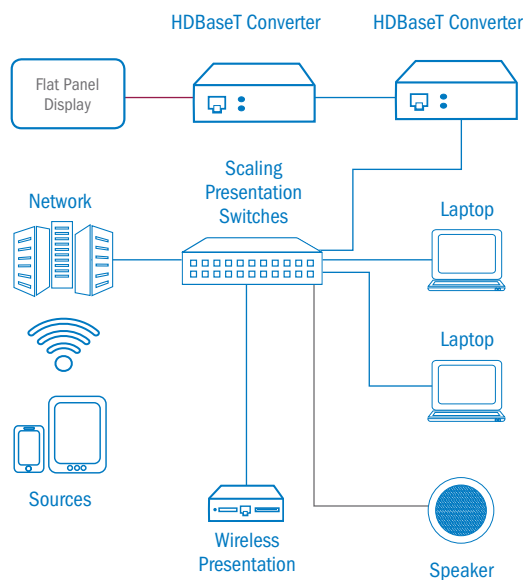
### Ease of use

Quality design is the key to ease of use. You must fully define the use of a room, and work with a qualified integrator to design a solution that meets your needs but is not more complex than necessary.

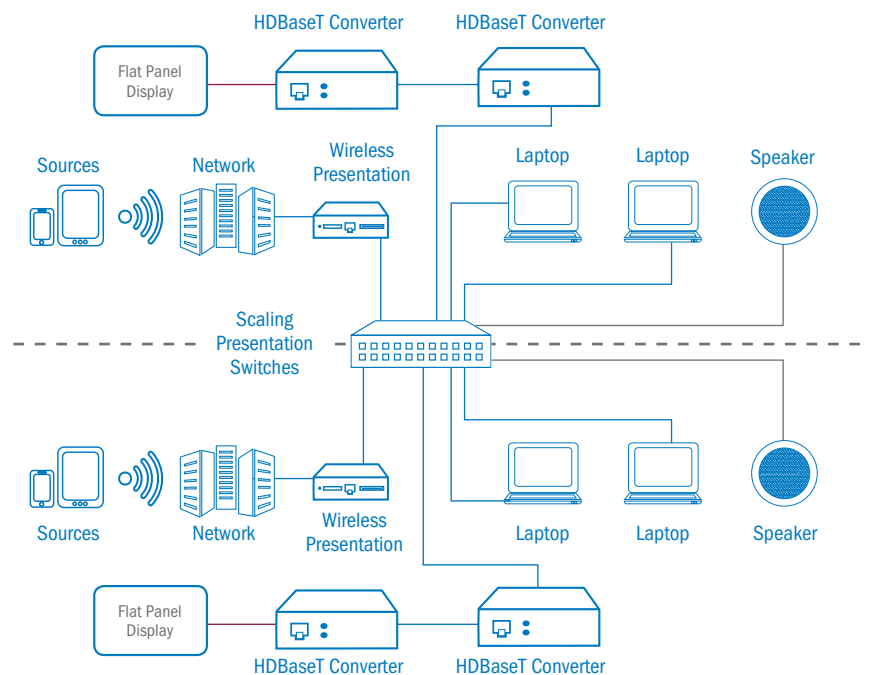
## CONCEPTUAL SYSTEM LAYOUTS FOR YOUR CONSIDERATION

Professional A/V solutions supplied by Anixter

### CONTROL-SINGLE ROOM



### CONTROL-MULTIPLE ROOMS



— Category Cable    — HDMI Cable    — Speaker Cable

Note: Layouts do not show necessary power systems.

FOR MORE INFORMATION VISIT [ANIXTER.COM/PROAV](http://ANIXTER.COM/PROAV) OR CONTACT YOUR LOCAL ANIXTER REPRESENTATIVE.

At Anixter, we help build, connect, power, and protect valuable assets and critical infrastructures. From enterprise networks to industrial MRO supply to video surveillance applications to electric power distribution, we offer full-line solutions—and intelligence—that create reliable, resilient systems that can sustain your business and community. Through our unmatched global distribution network, supply chain management expertise and technical know-how, we drive efficiency and effectiveness to benefit your bottom line.